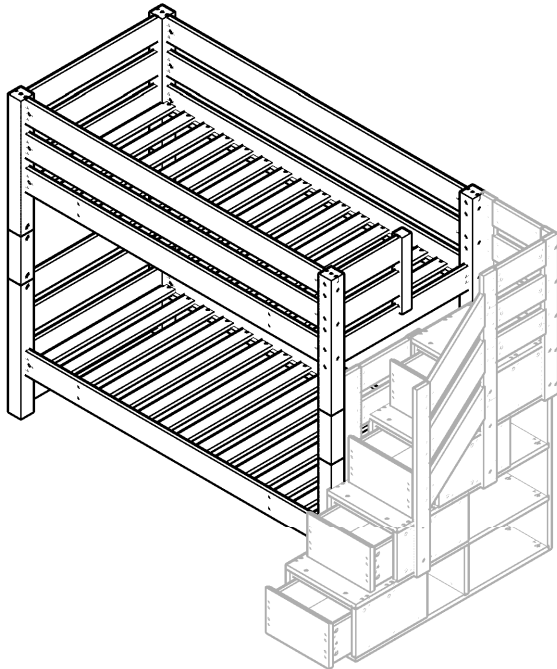
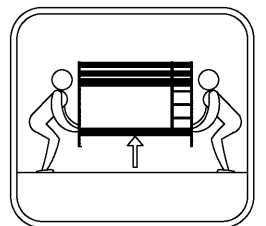
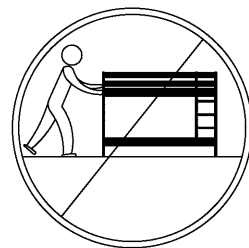
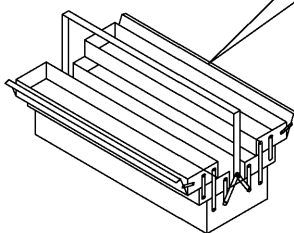
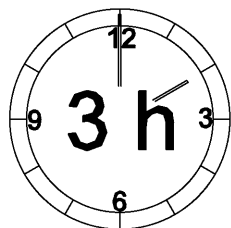
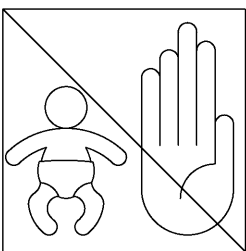
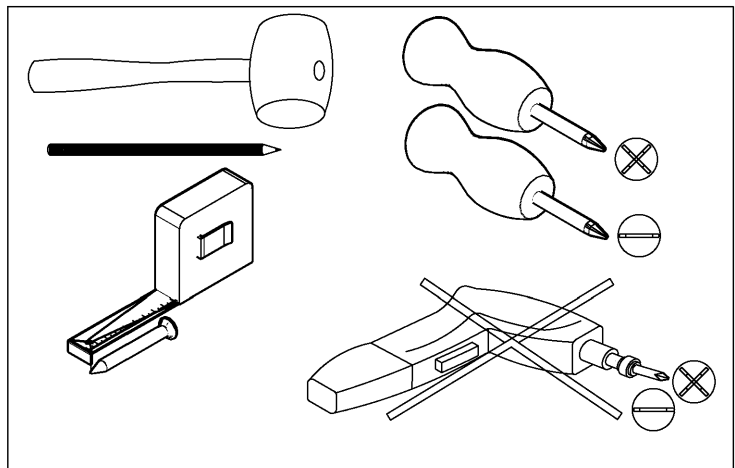
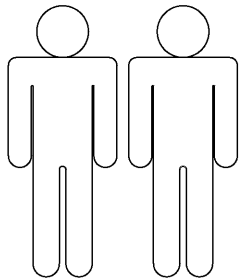
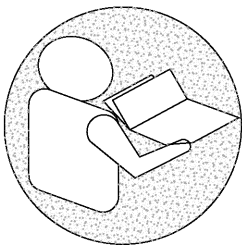
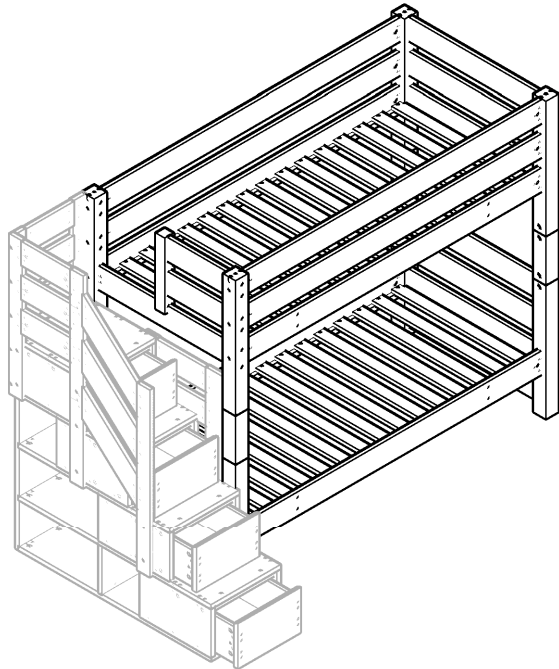
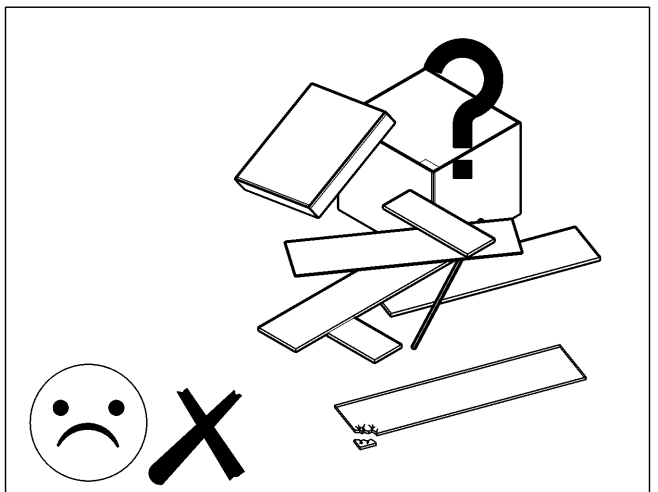
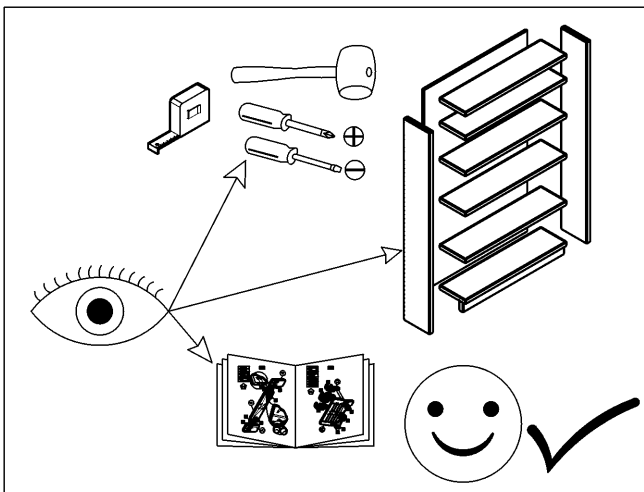
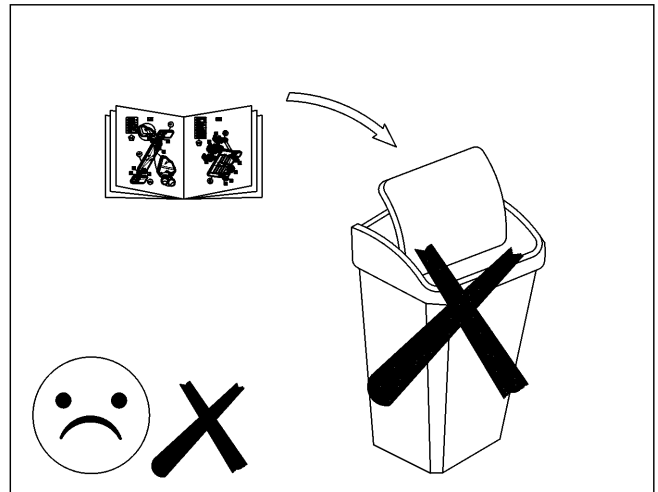
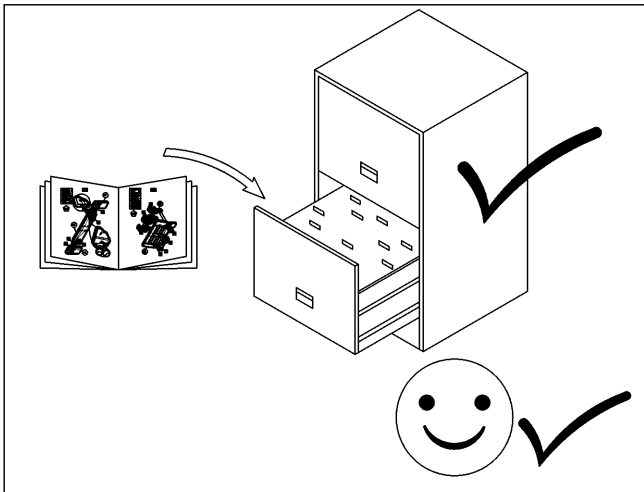
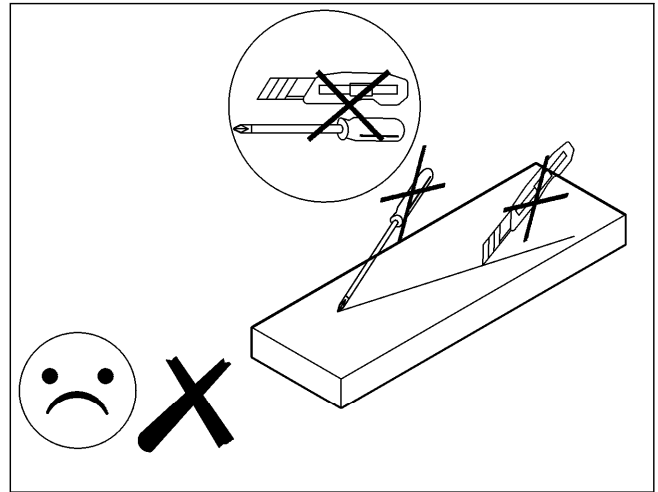
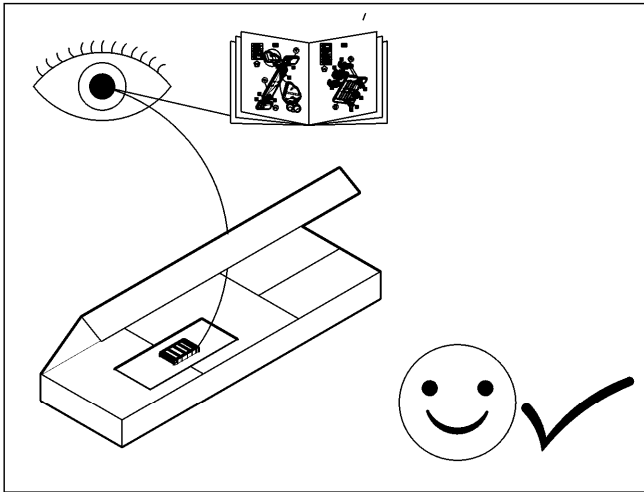
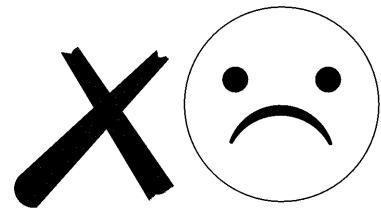
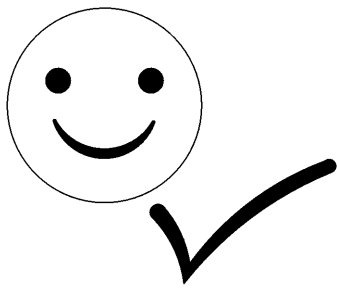


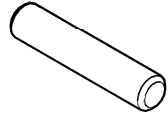
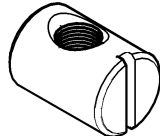
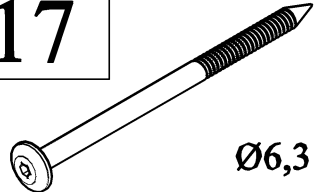
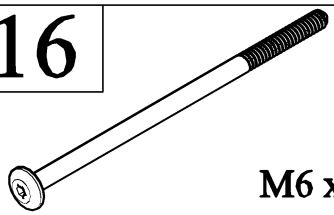
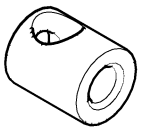
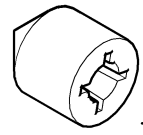
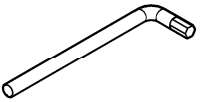
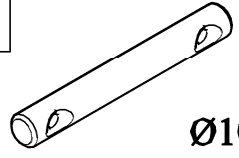
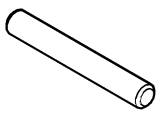
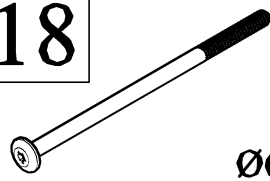
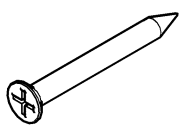
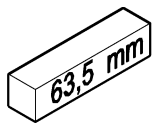
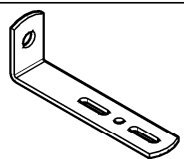
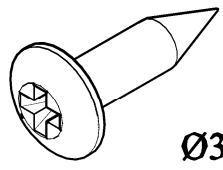
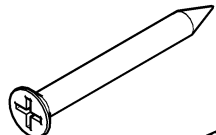
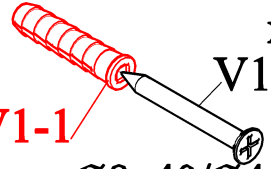

## MOŽNOST 1

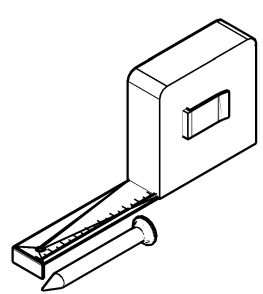


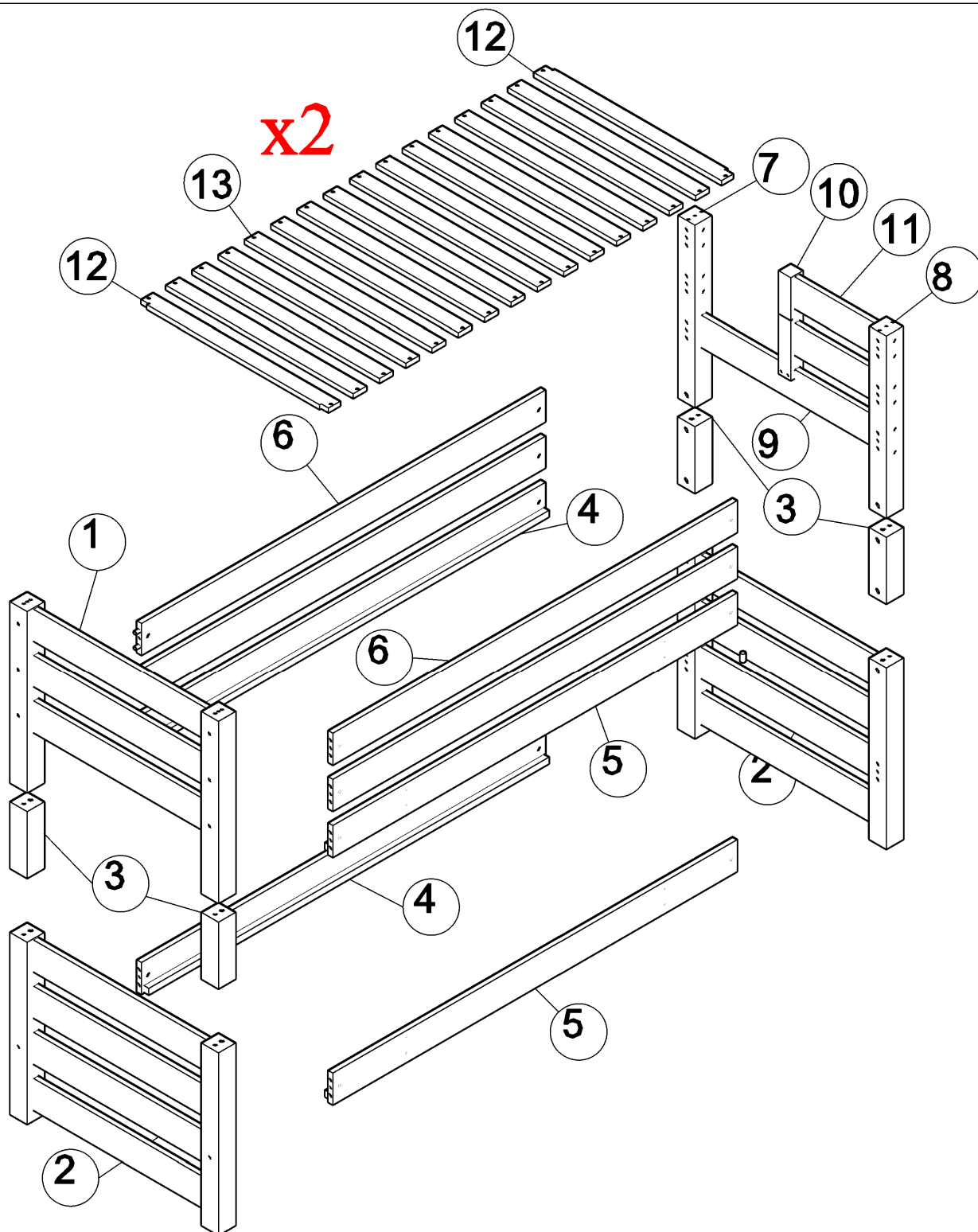
## MOŽNOST 2



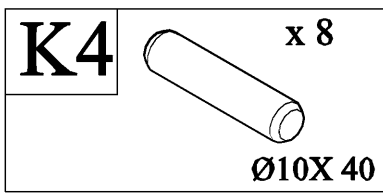
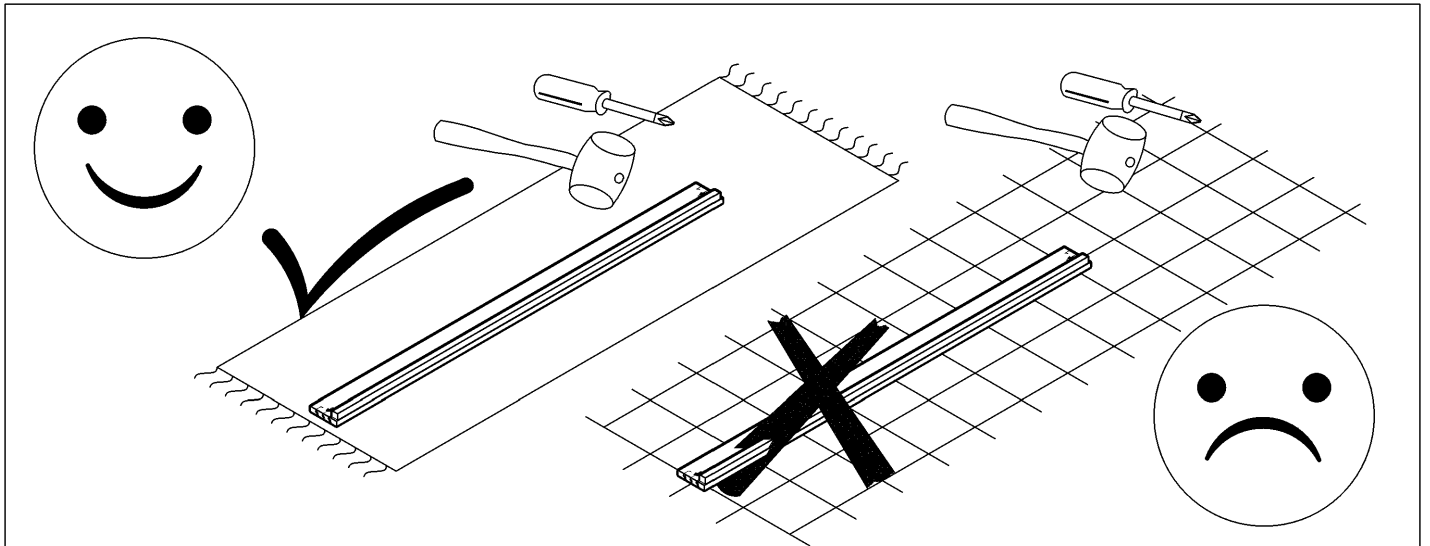


<b>K4</b> x 36  Ø10 x 40	<b>H4</b> x 16  Ø10X 13
<b>J17</b> x 8  Ø6,3 X 120	<b>J16</b> x 16  M6 x 120
<b>M3</b> x 16  Ø16 X 19	<b>M5</b> x16  M10 x 13
<b>F2</b> x 1  HEX 4 mm	<b>H5</b> x8  Ø10 x 80
<b>K9</b> x8  Ø8 x 60	<b>J18</b> x4  Ø6,3 x 100
<b>S5</b> x64  Ø3,5 x 30	<b>X1</b> x2  63,5x25x25
<b>B2</b> x2  75 x 25 x 15	<b>S3</b> x2  Ø3,5 x 16
<b>S7</b> x2  Ø4x50	<b>V1</b> x2  V1-1/ V1-2 Ø8x40/Ø4x50
<b>D2</b> x8  Ø8	



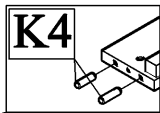


PŘEDMĚT ČÍSLO	POČET KS	DIMENZE L X B X T(MM)	✓	PŘEDMĚT ČÍSLO	POČET KS	DIMENZE L X B X T(MM)	✓
1	1	998 X 695 X 78/20		8	1	755 X 78 X 78	
2	2	998 X 695 X 78/20		9	1	842 X 130 X 20	
3	4	335 X 78 X 78		10	1	424 X 56 X 56	
4	2	1942 X 130 X 20		11	2	393 X 130 X 20	
5	2	1942 X 130 X 20		12	4	898 X 63 X 17	
6	4	1942 X 130 X 20		13	28	898 X 63 X 17	
7	1	755 X 78 X 78					

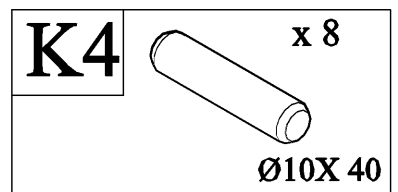
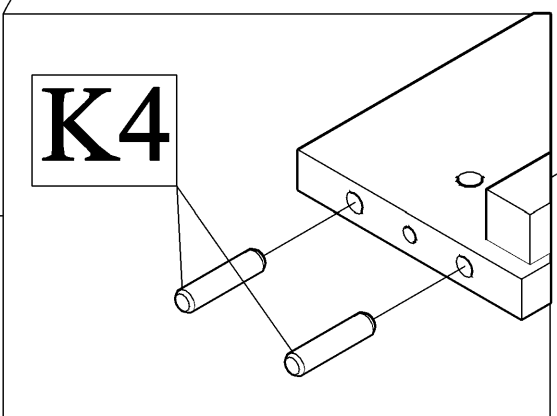


1

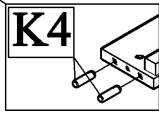
4 x2



2

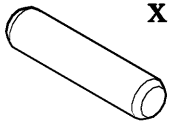


5 x2



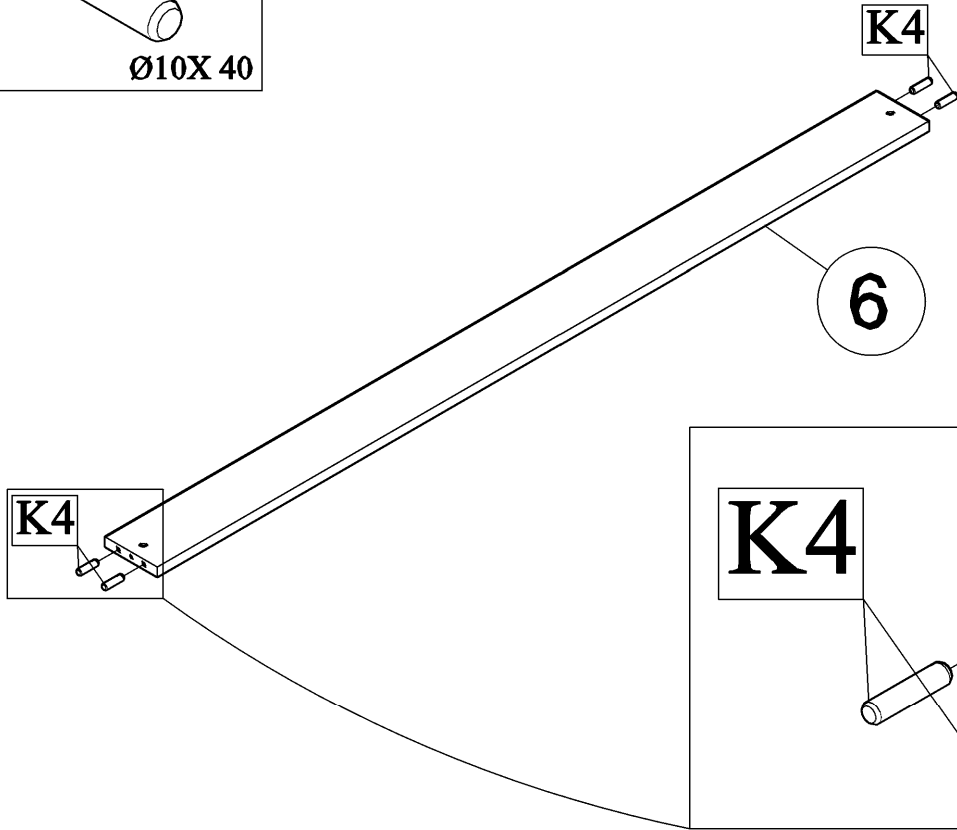
**K4**

x 16



Ø10X 40

3



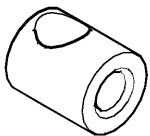
6

x4

**K4**

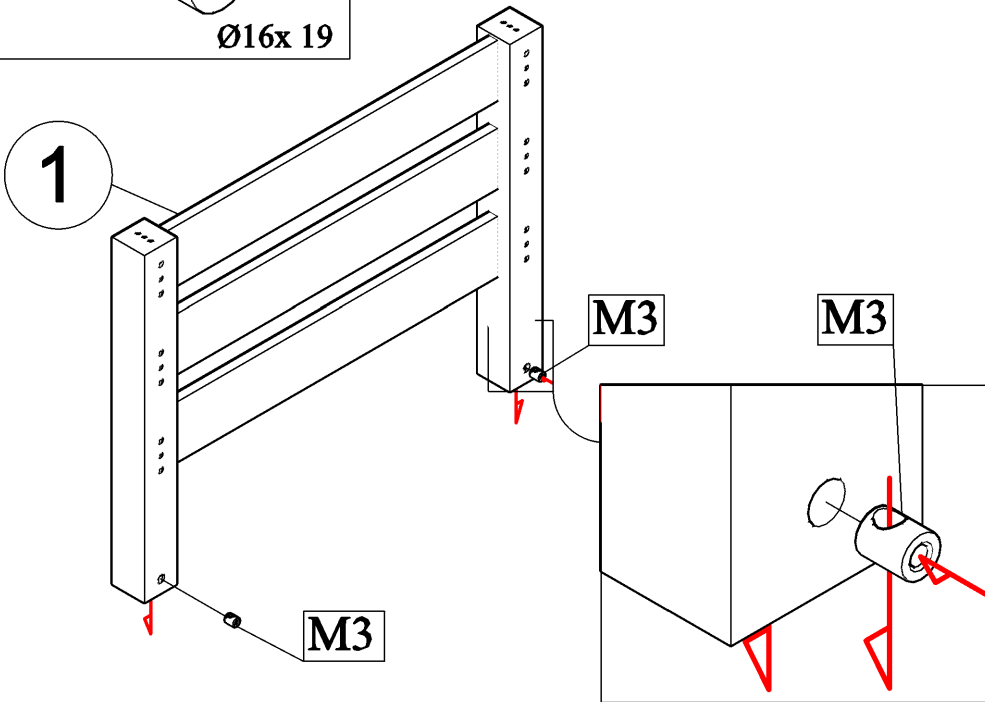
**M3**

x 2



Ø16x 19

4



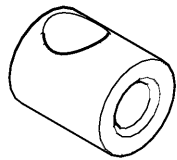
1

M3

M3

M3

M3



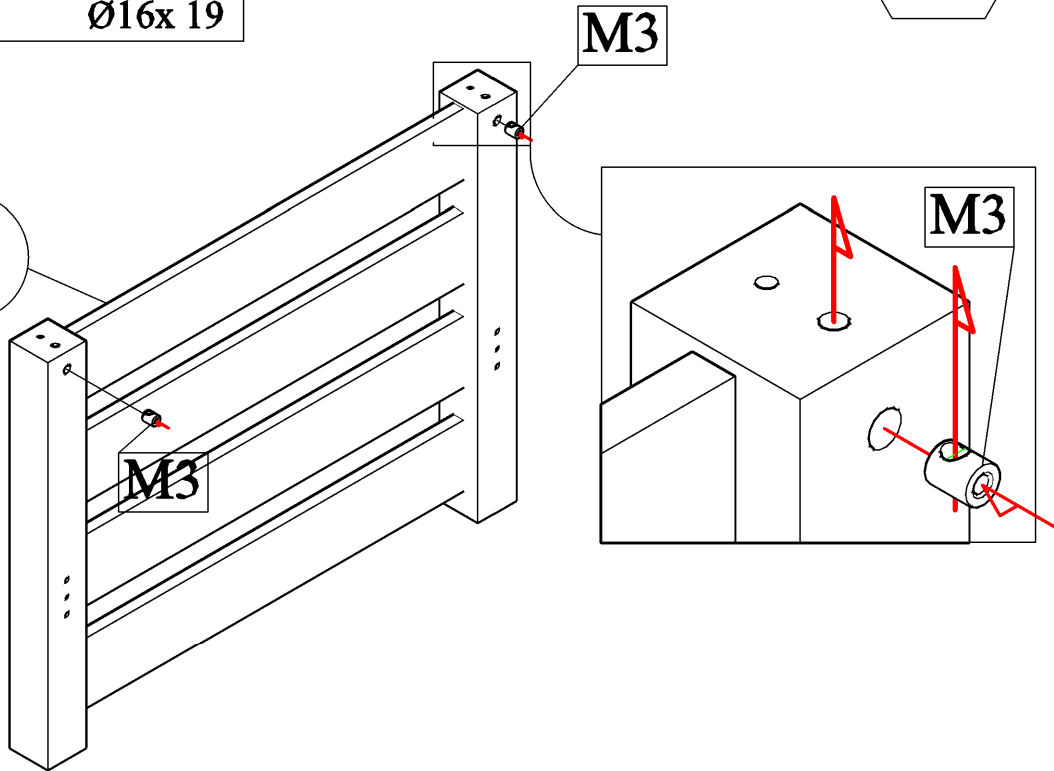
x 4

Ø16x 19

5

x2

2



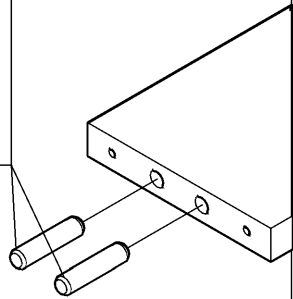
M3

M3

M3

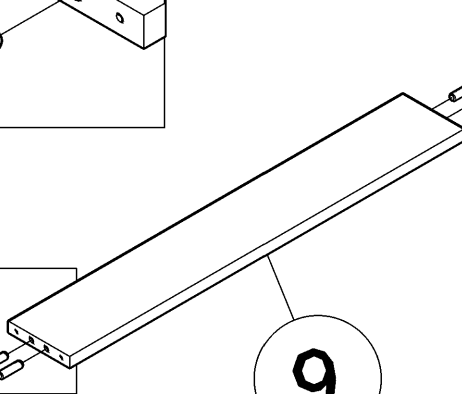
6

K4



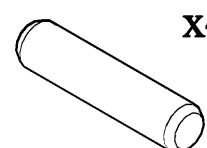
K4

K4



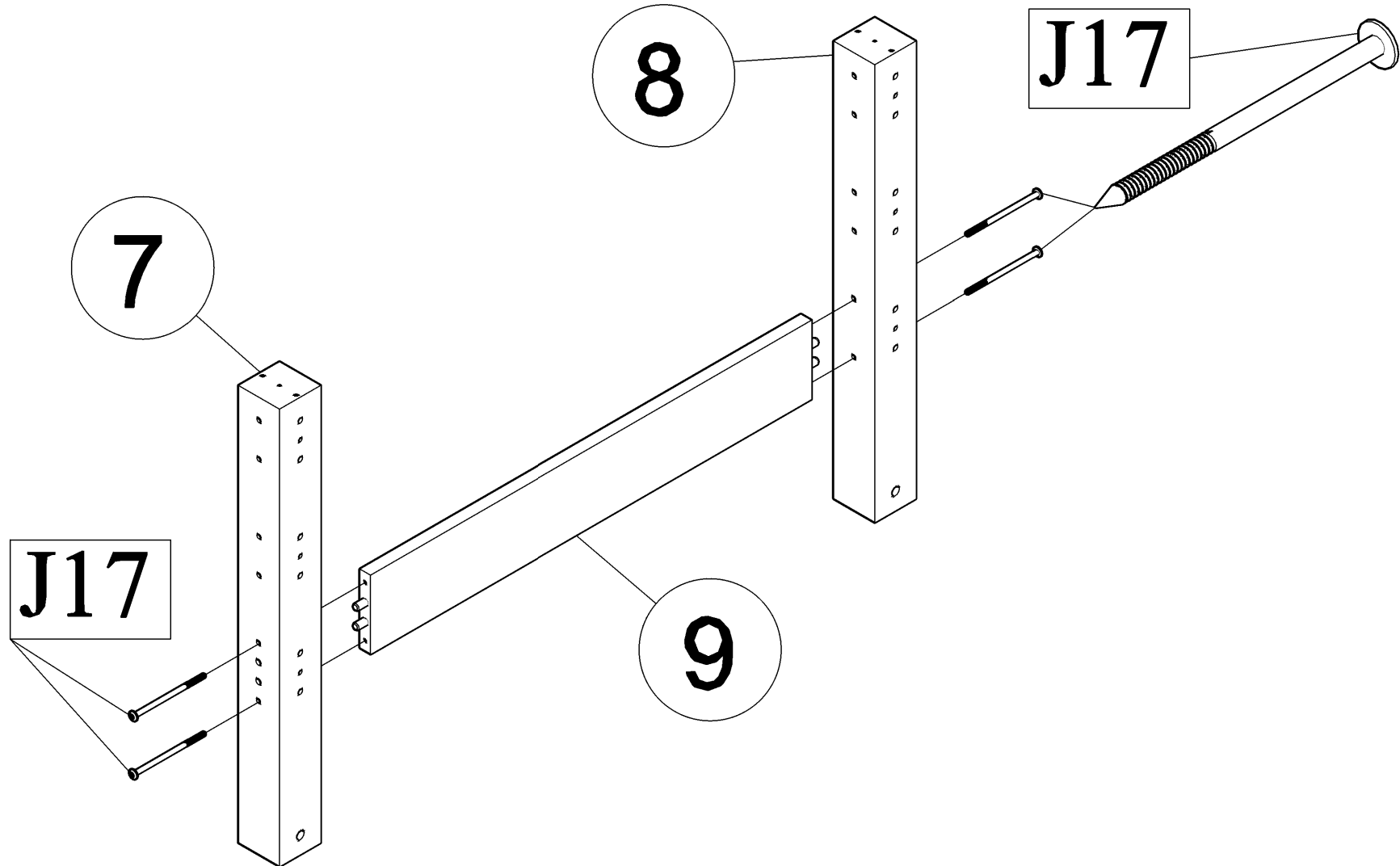
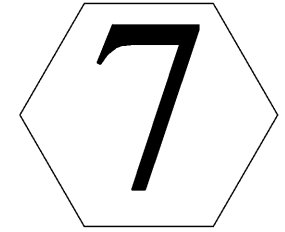
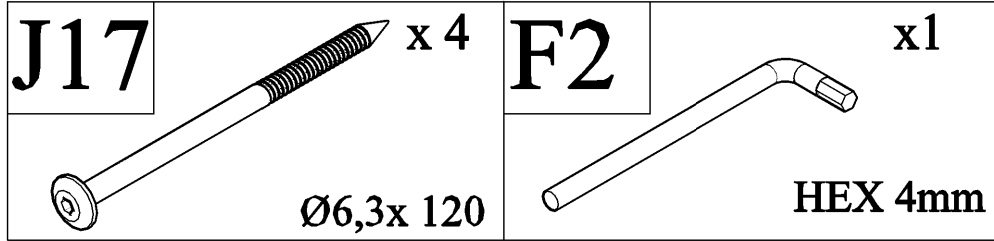
9

K4



x4

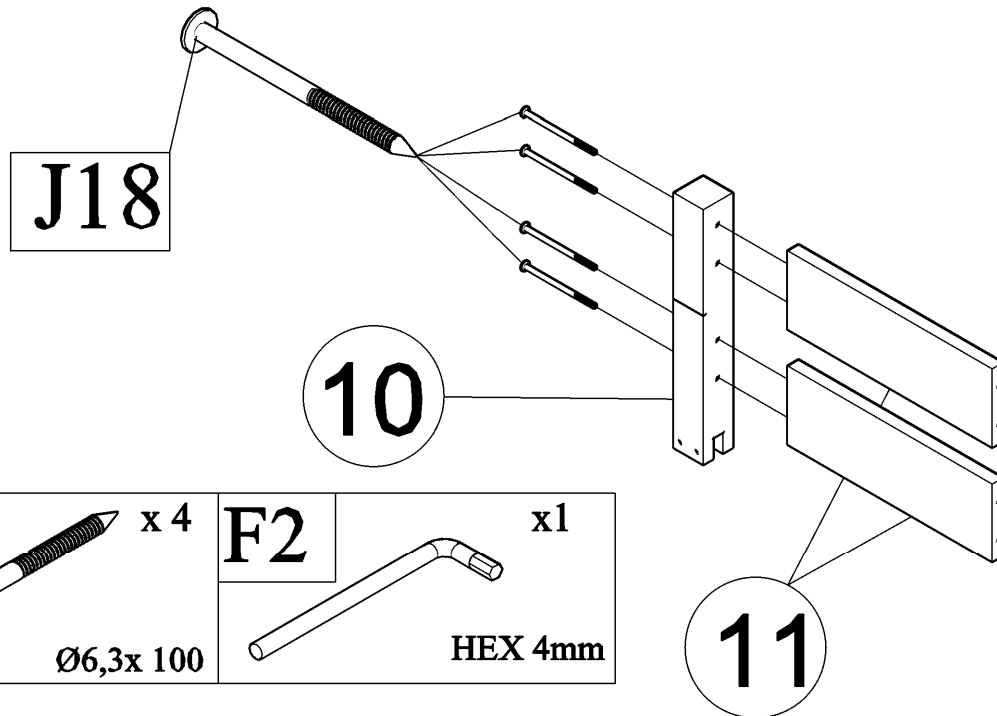
Ø10X 40





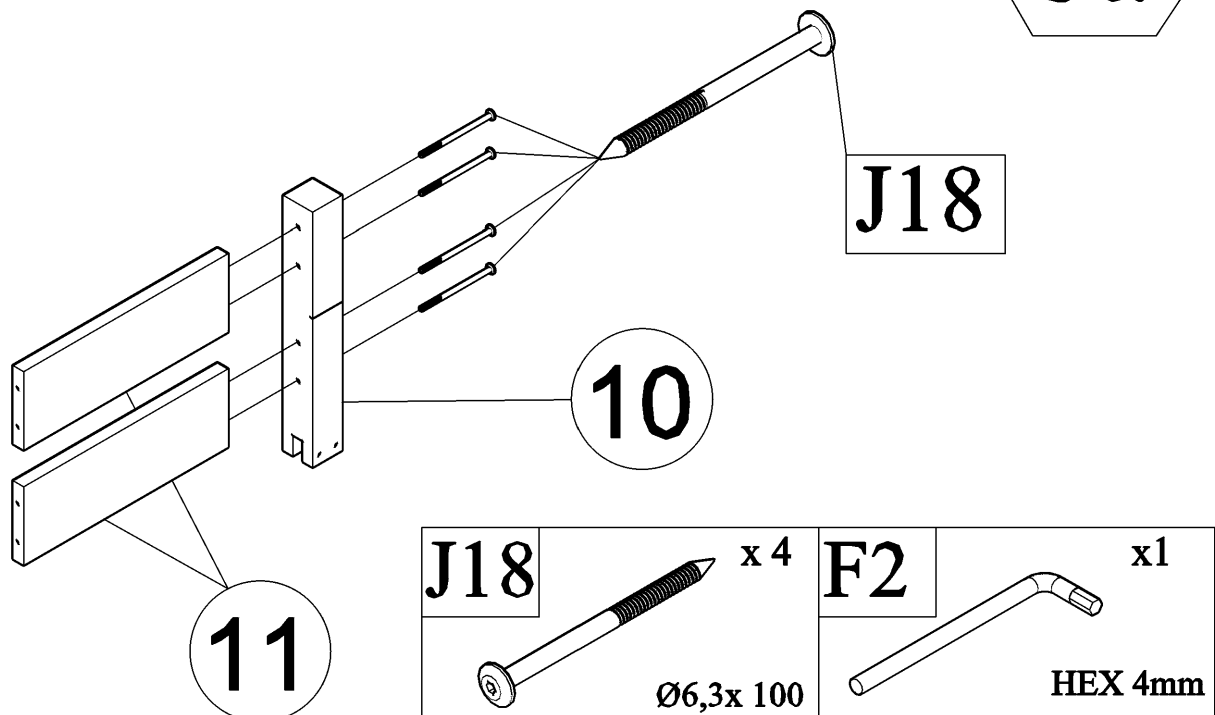
8

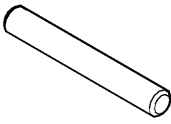
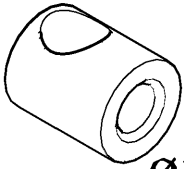
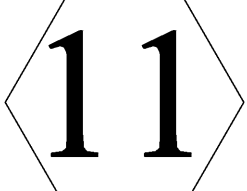
# MOŽNOST 1

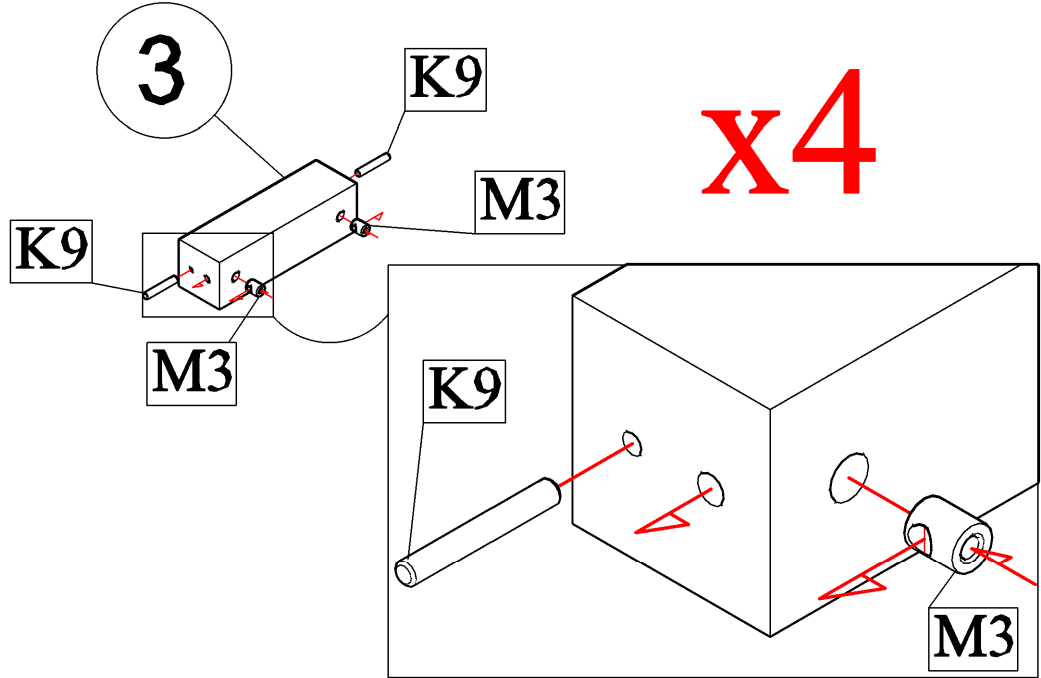


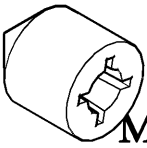
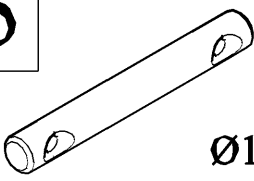
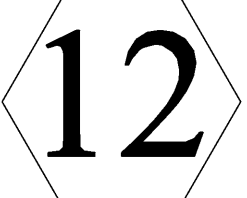
# MOŽNOST 2

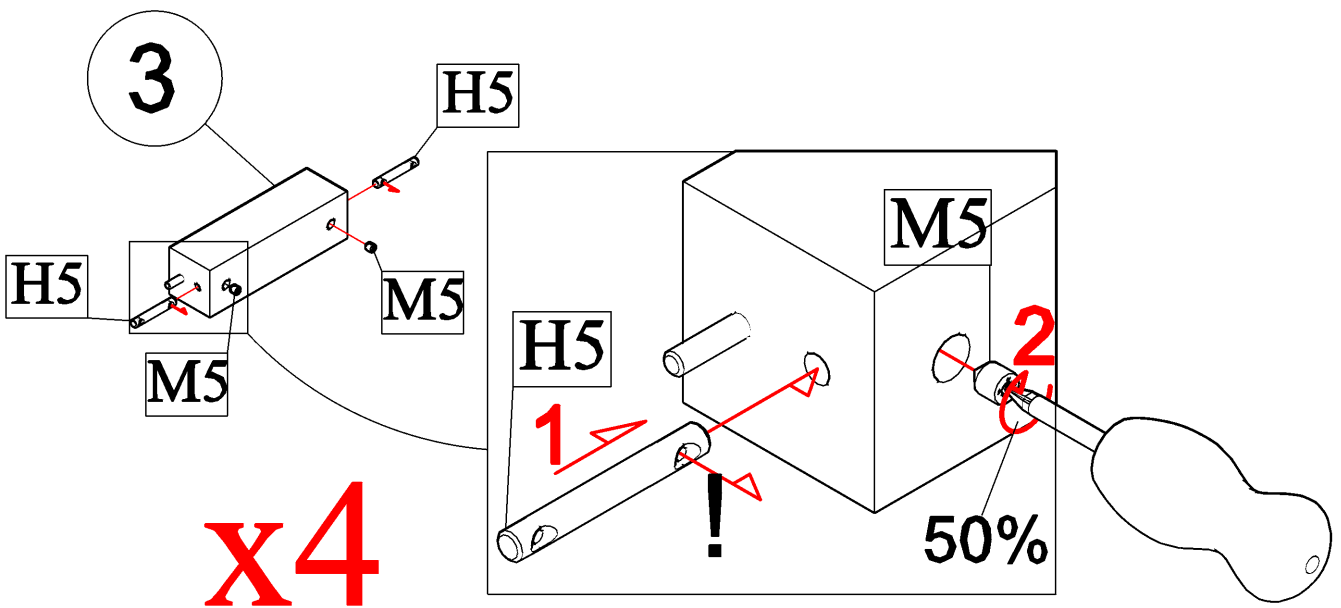
8a



<b>K9</b>	 <p>x 8</p>	<b>M3</b>	 <p>x 8</p>	
	<p>Ø8 x 60</p>		<p>Ø16x 19</p>	

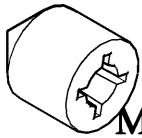


<b>M5</b>	 <p>x 8</p>	<b>H5</b>	 <p>x 8</p>	
	<p>M10 x 13</p>		<p>Ø10x 80</p>	



M5

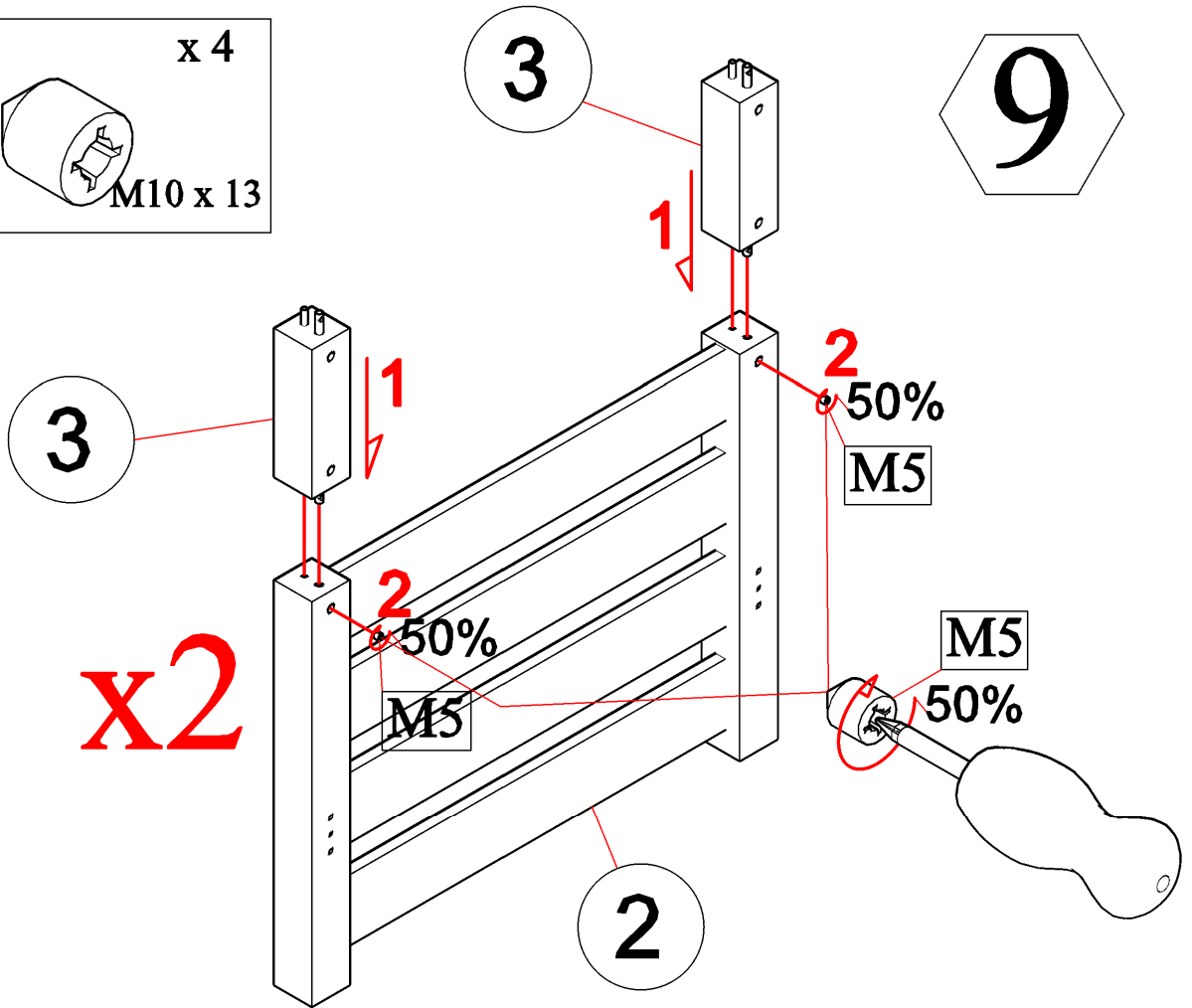
x 4



M10 x 13

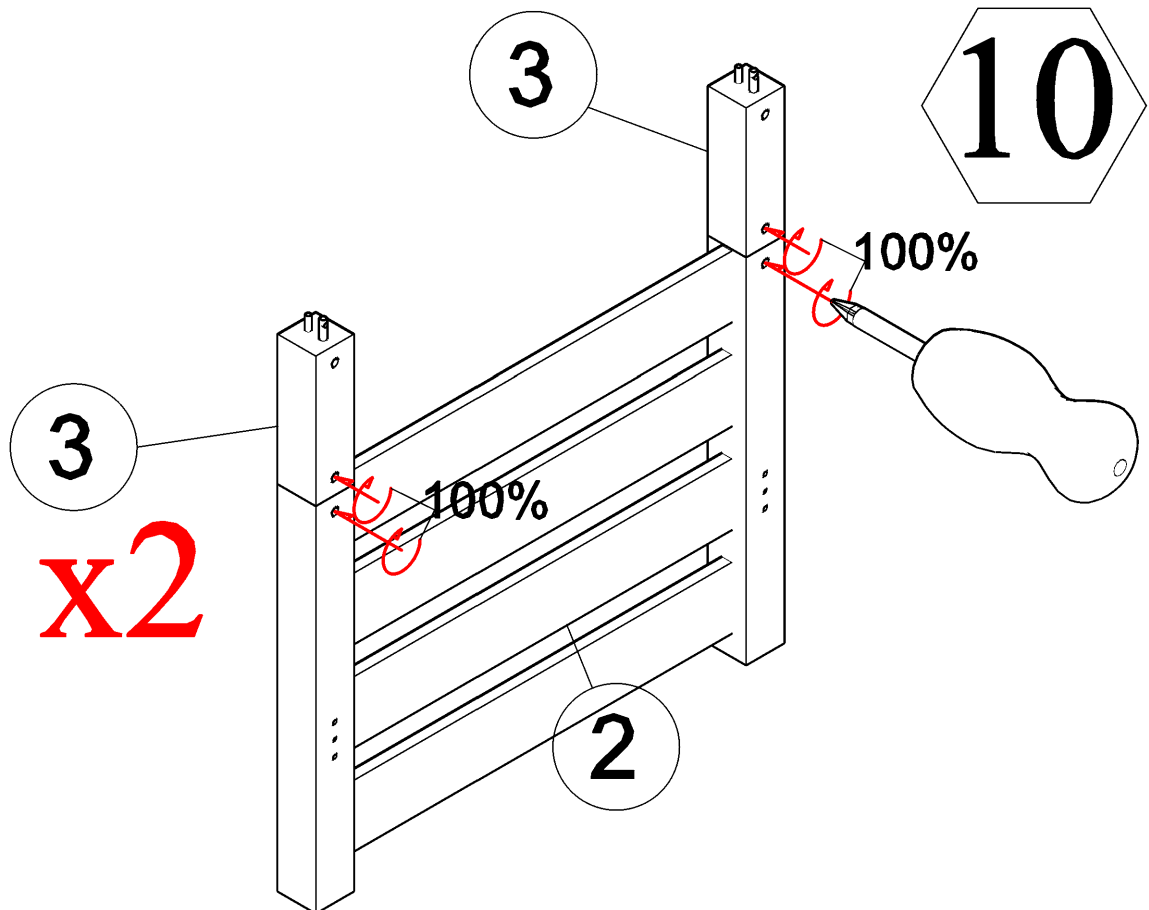
3


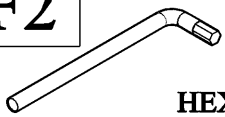
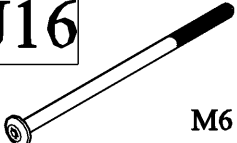
9



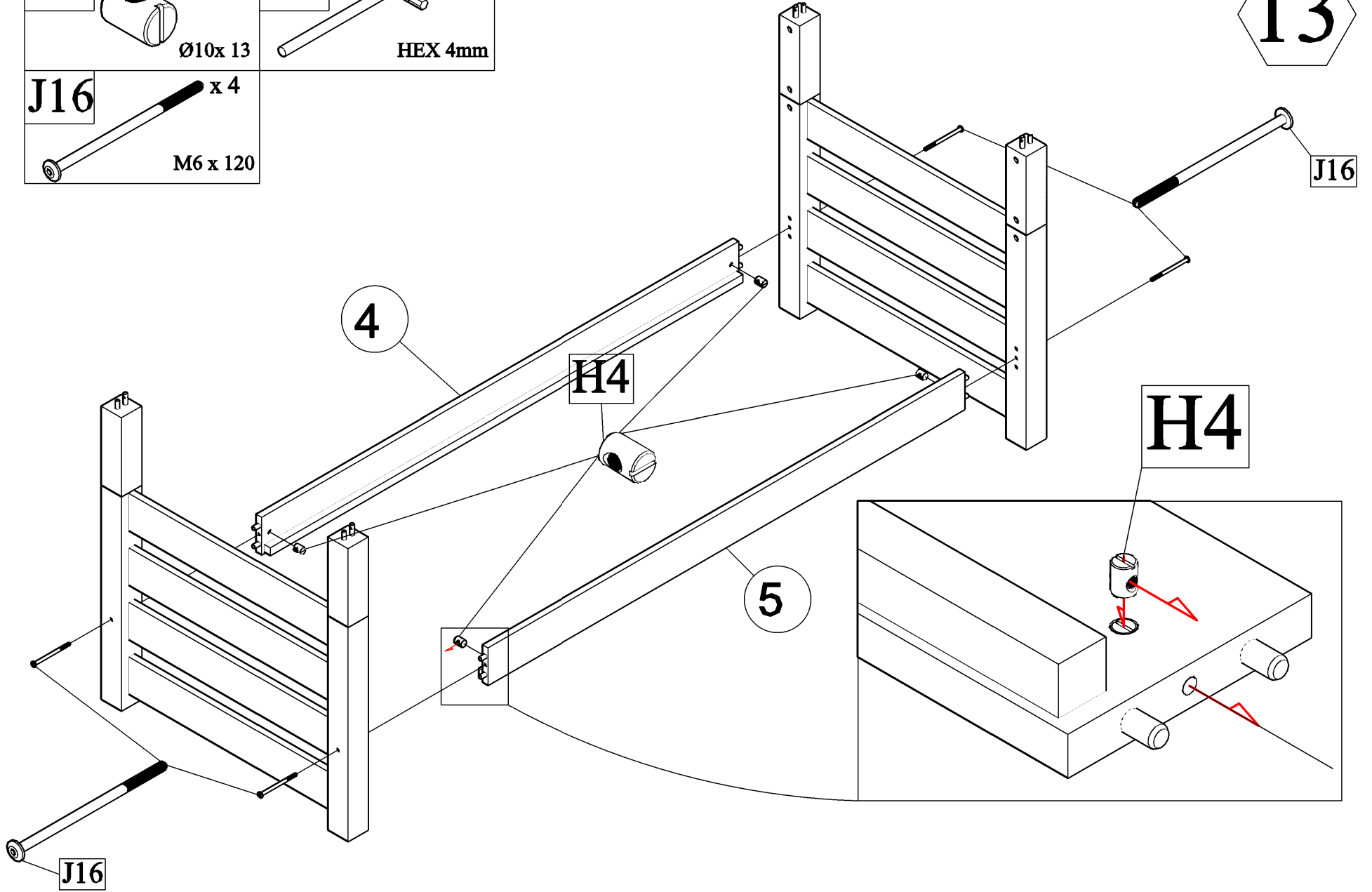
3

10


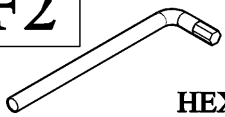
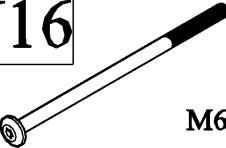


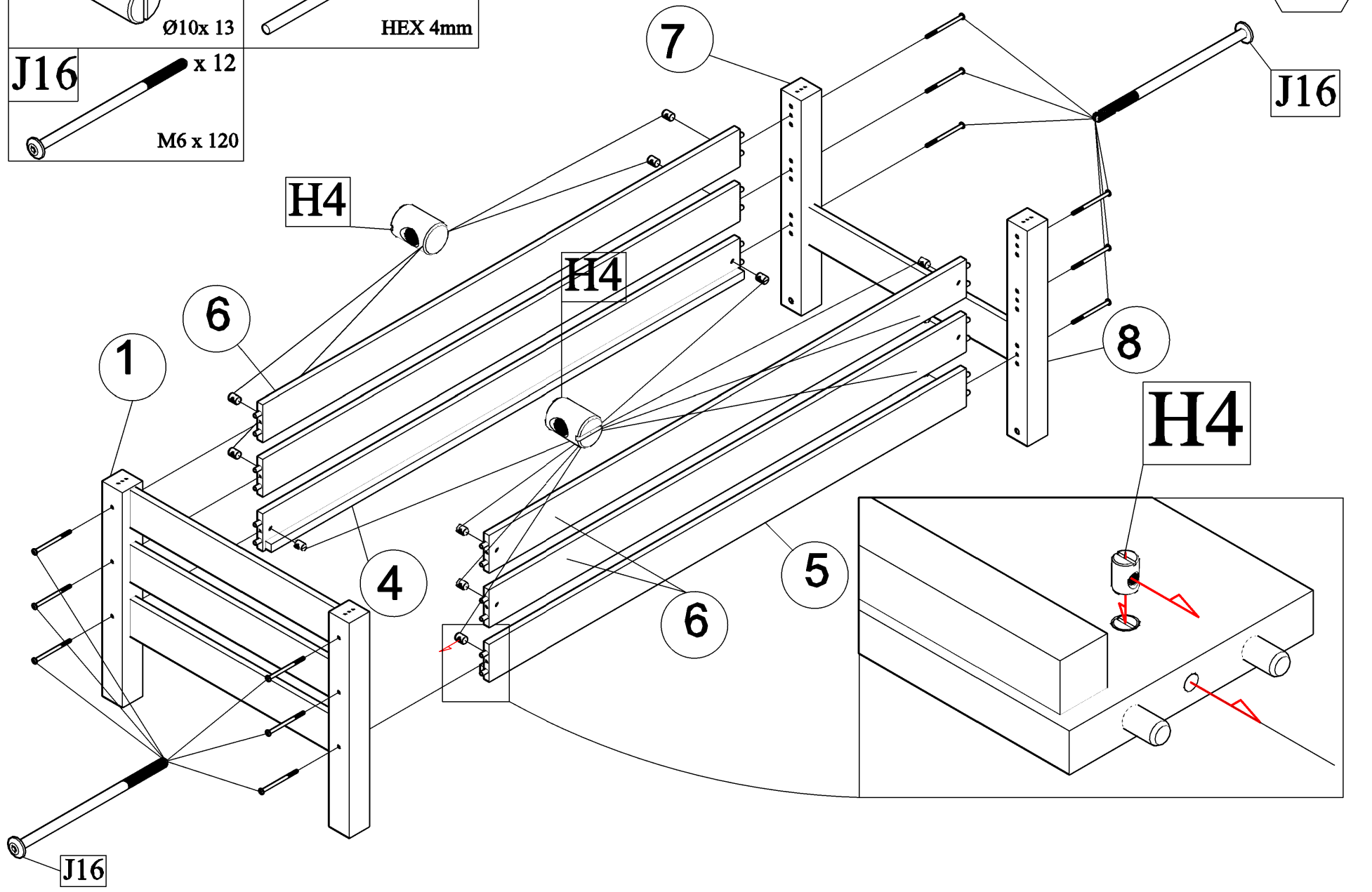
<b>H4</b>	 Ø10x 13	<b>F2</b>	 HEX 4mm
<b>J16</b>	 M6 x 120	<b>x 4</b>	<b>x 1</b>

13



# MOŽNOST 1



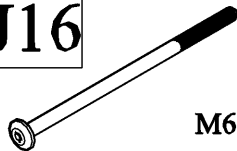
<b>H4</b>	 Ø10x 13	<b>F2</b>	 HEX 4mm
<b>J16</b>	 M6 x 120		

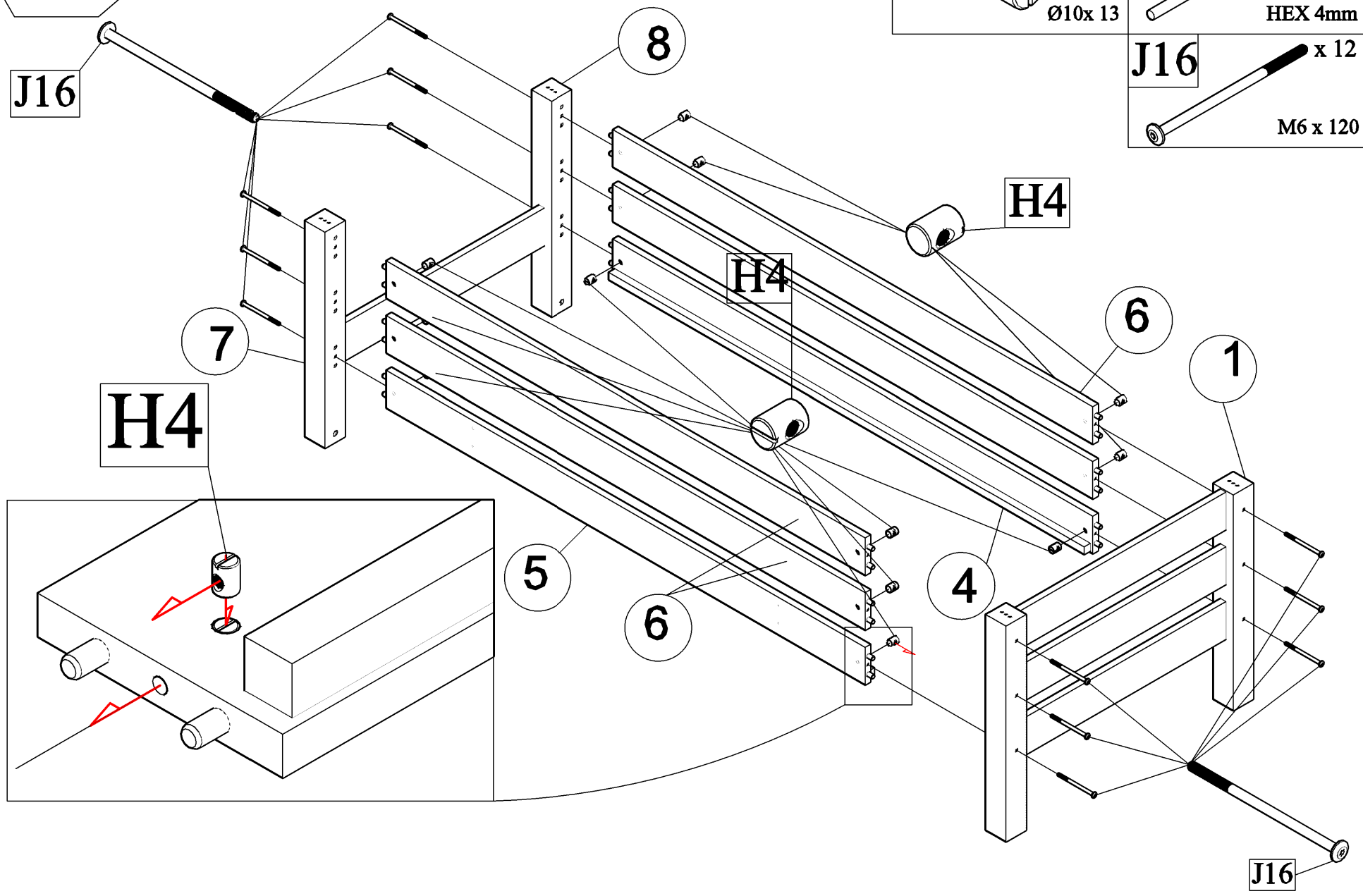


13a/22

14a

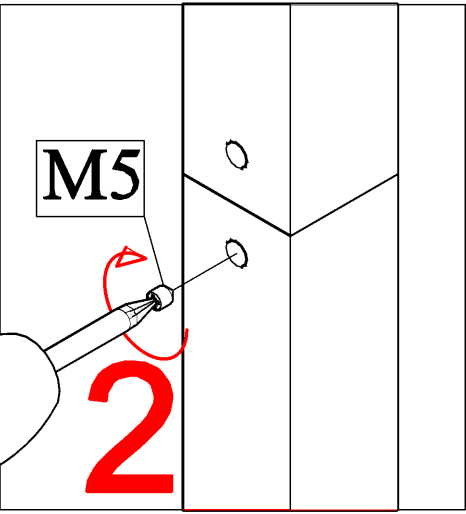
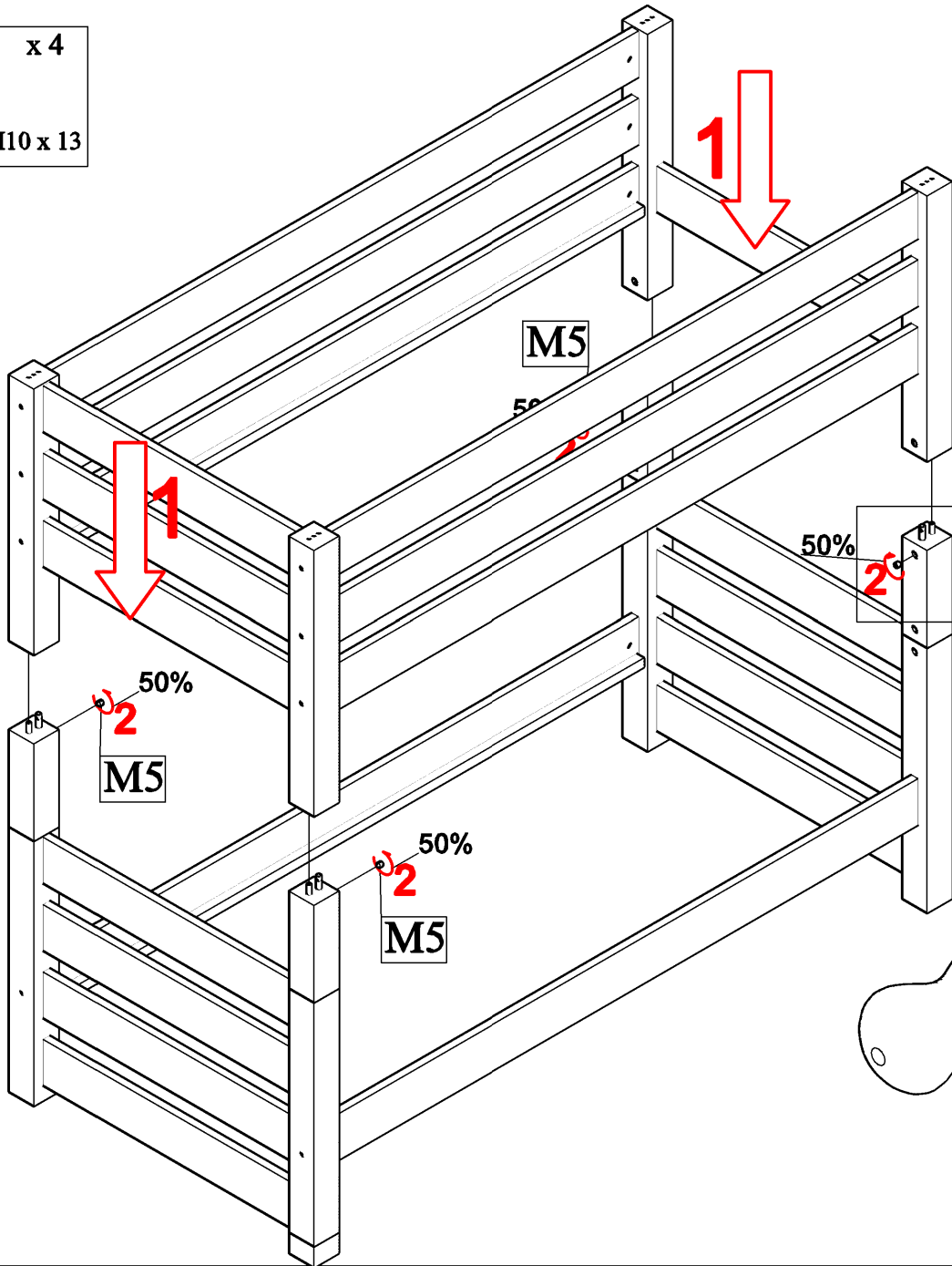
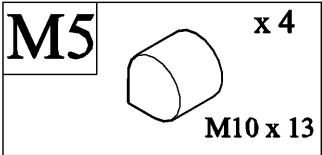
# MOŽNOST 2

<b>H4</b>		x 12	<b>F2</b>		x 1
	Ø10x 13			HEX 4mm	
			<b>J16</b>		x 12
				M6 x 120	



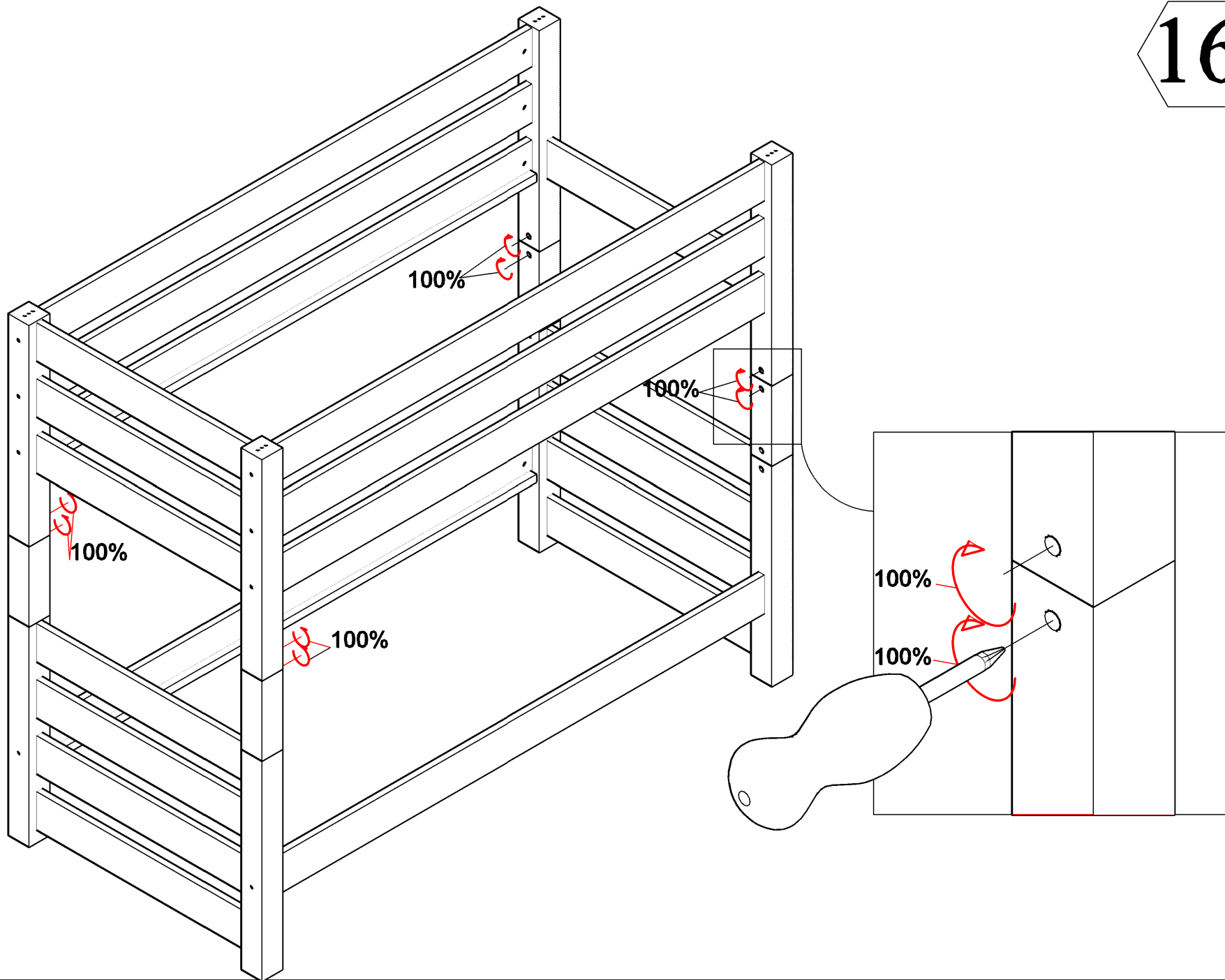
14a/22

15



15/22

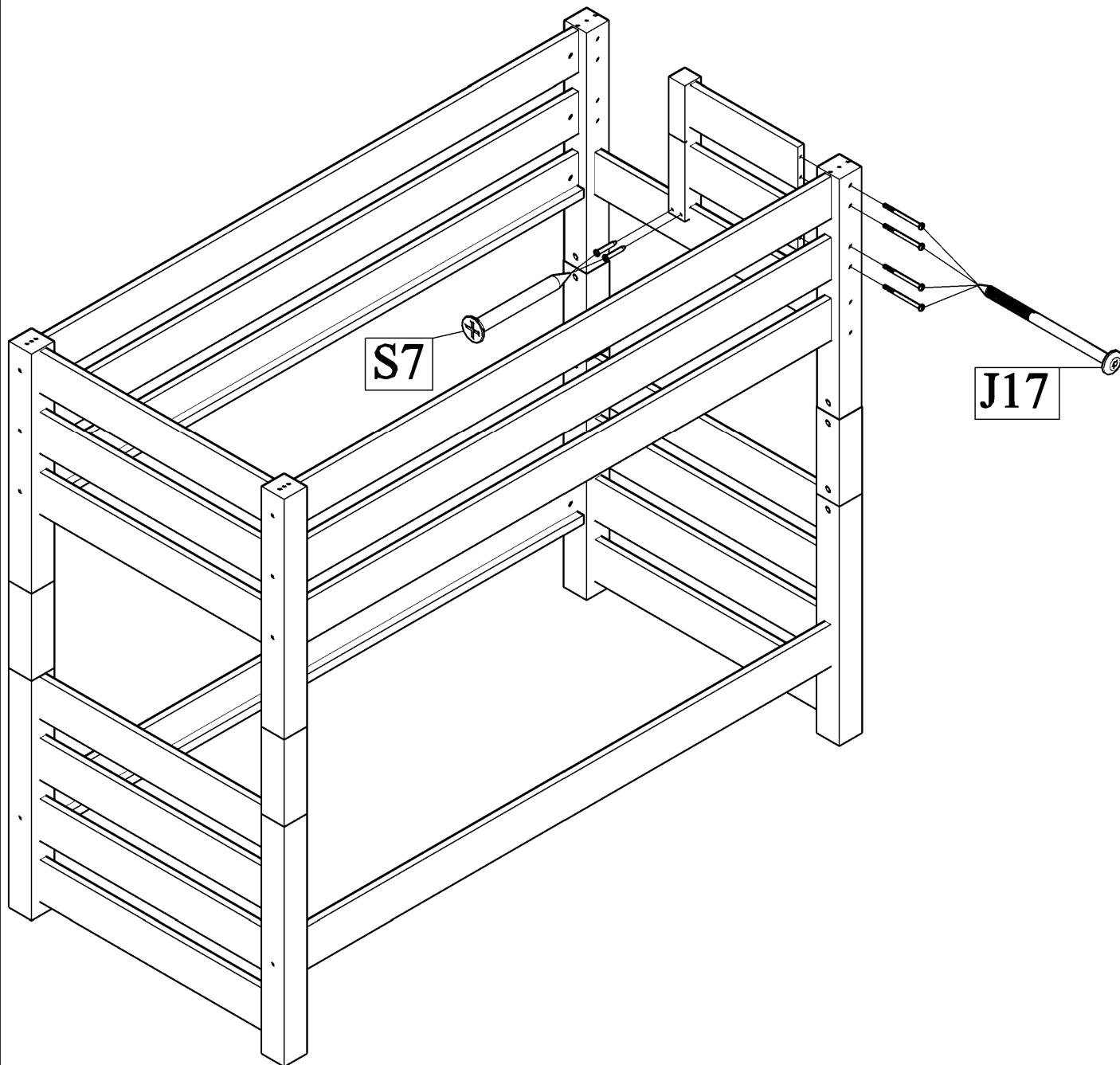
16/22

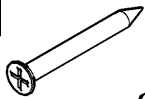

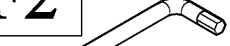




# MOŽNOST 1

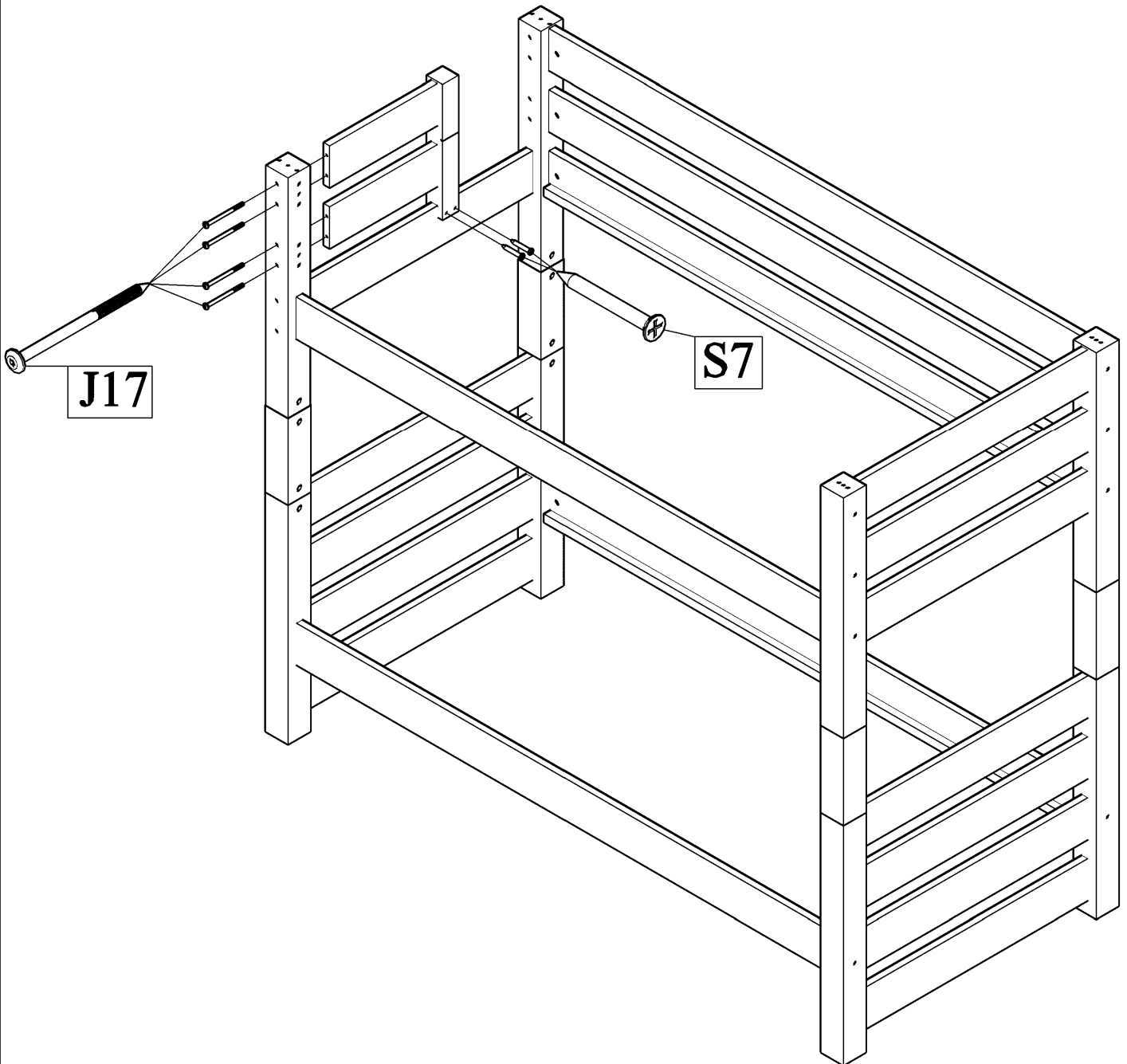
17

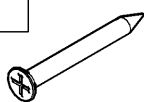
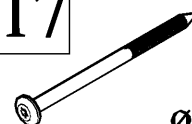
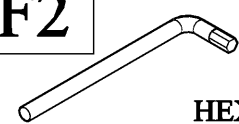


<b>S7</b>	x 2	<b>J17</b>	x 4	<b>F2</b>	x 1
					
Ø4x 50		Ø6,3x 120		HEX 4mm	

# MOŽNOST 2

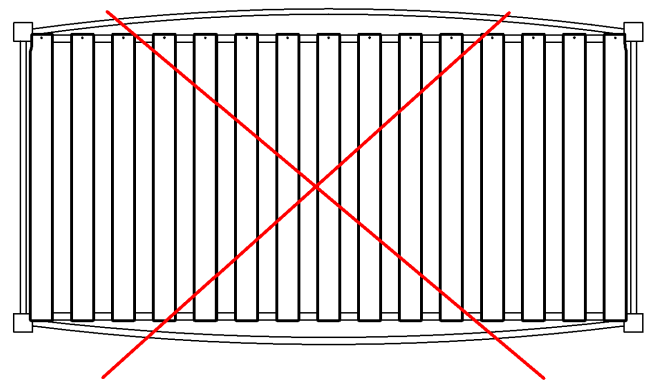
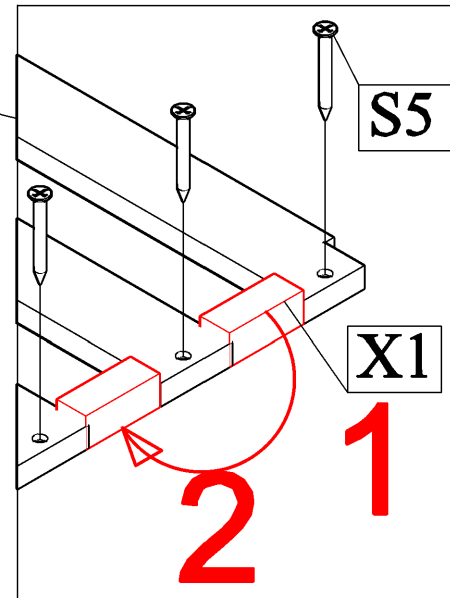
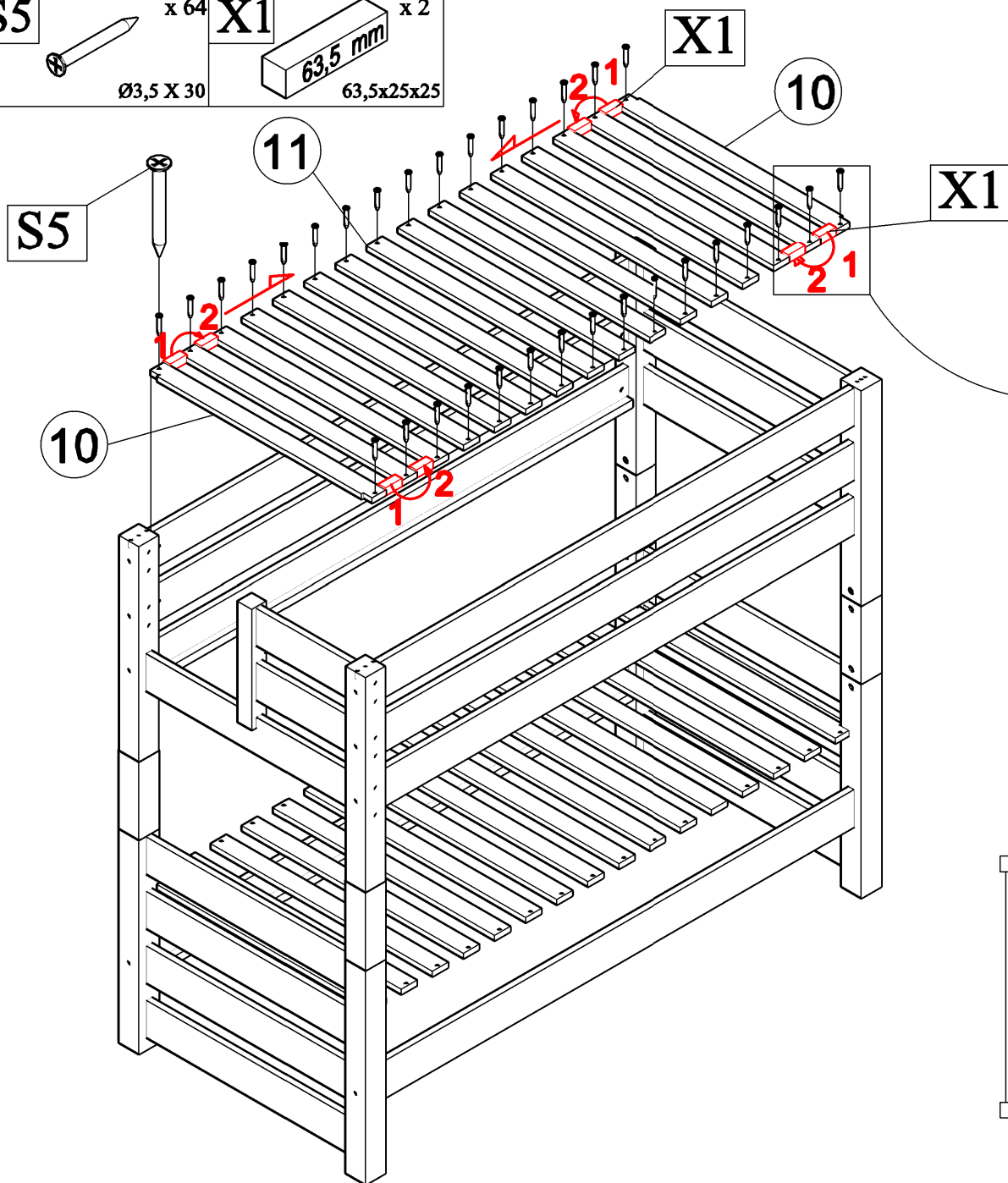
17a

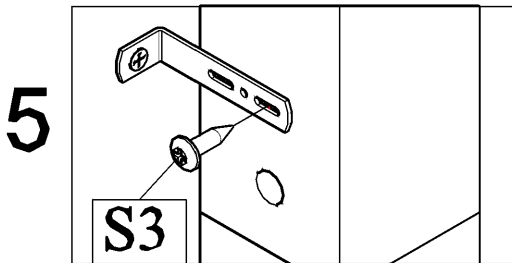
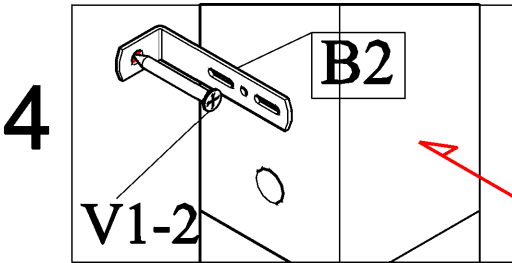
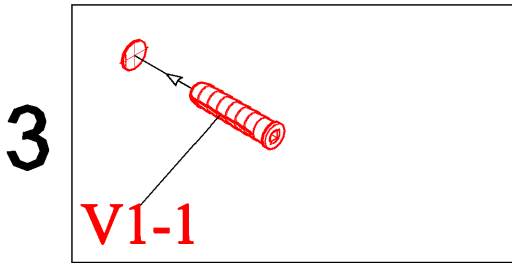
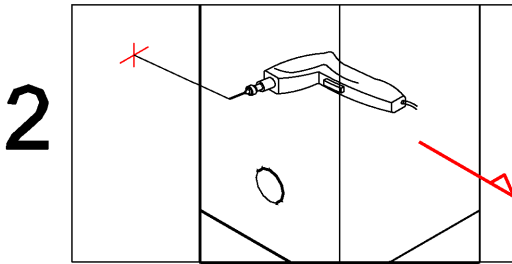
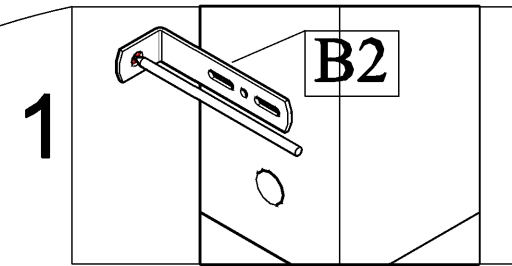
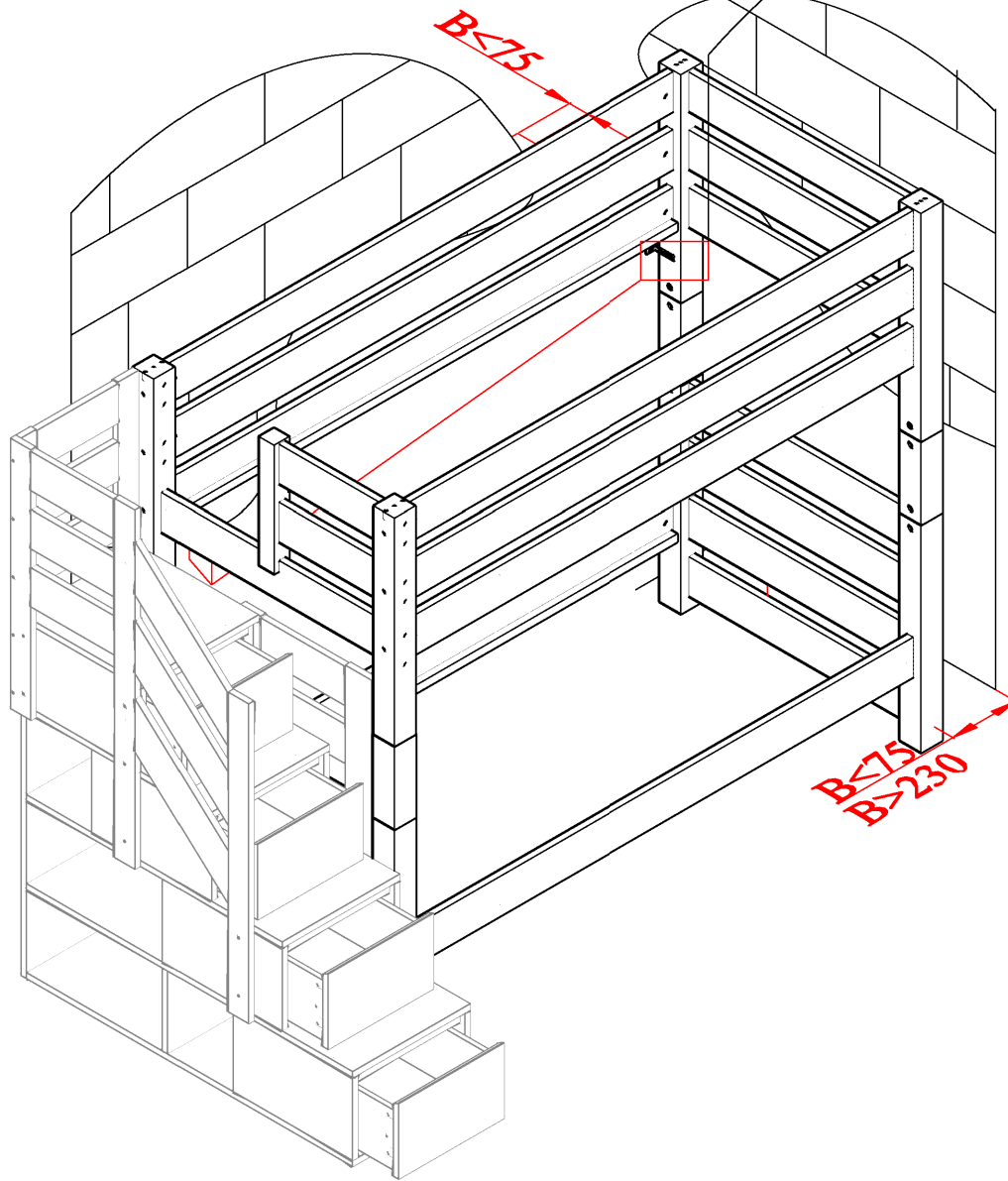


<b>S7</b>	x 2	<b>J17</b>	x 4	<b>F2</b>	x 1
					
Ø4x 50		Ø6,3x 120		HEX 4mm	

S5 x 64 X1 x 2  
 Ø3,5 X 30 63,5 mm 63,5x25x25

18

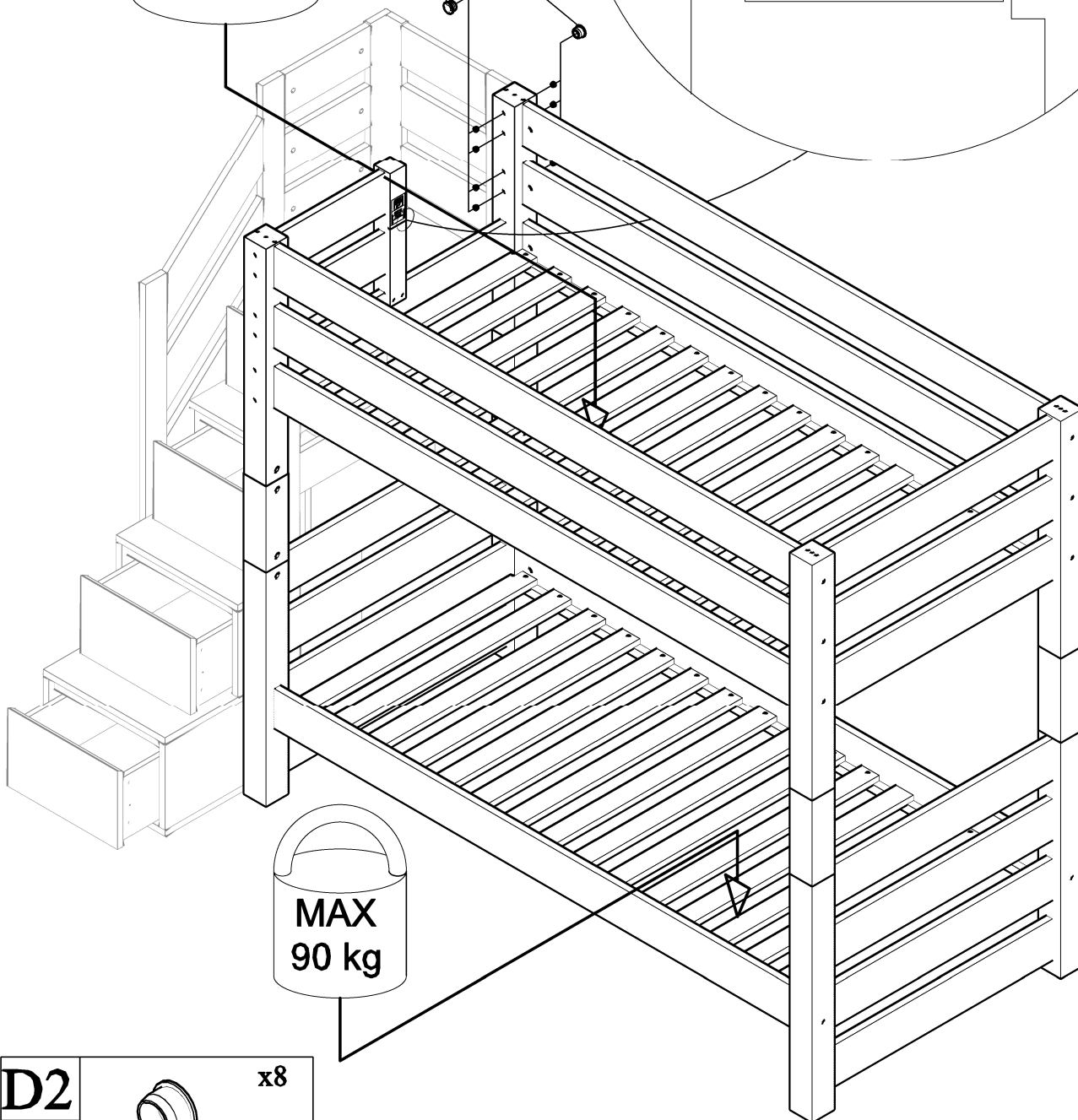




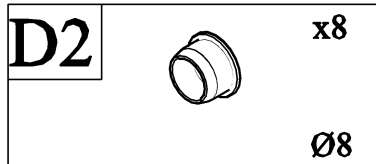
20

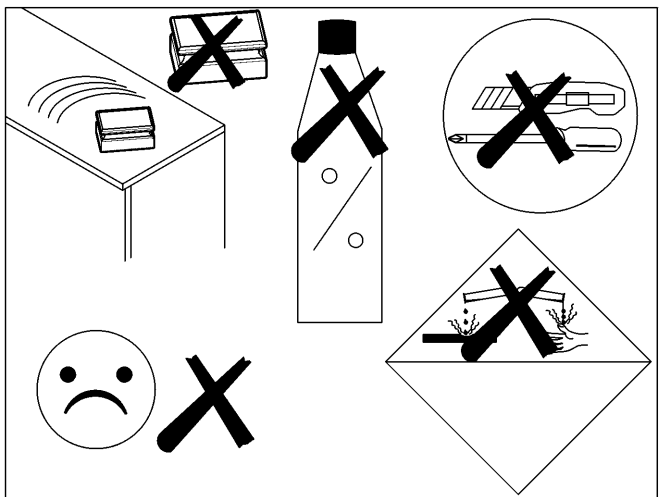
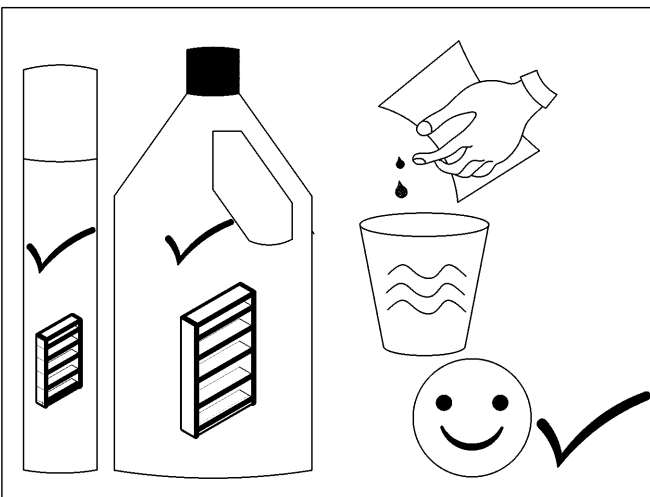
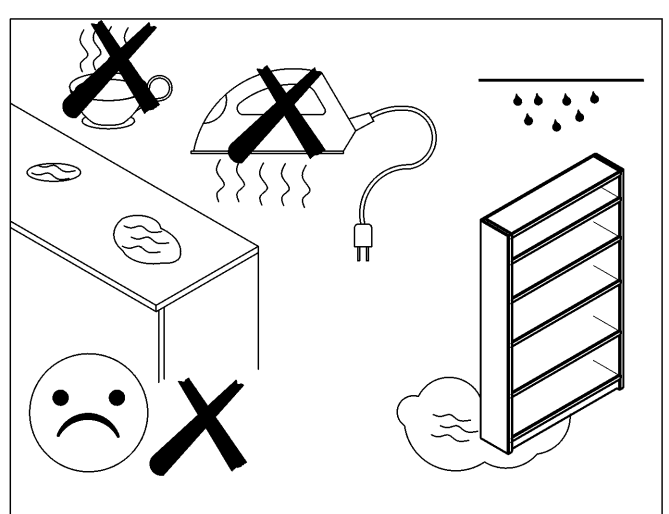
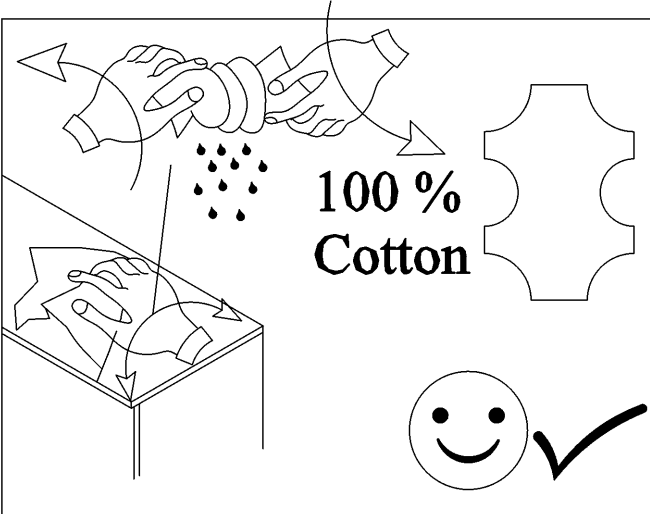
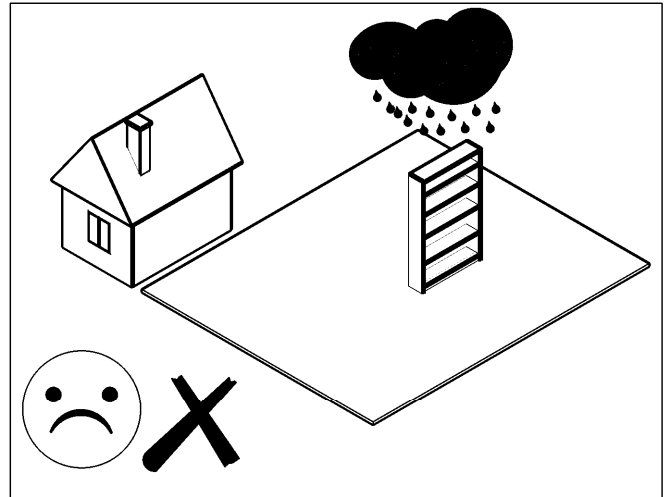
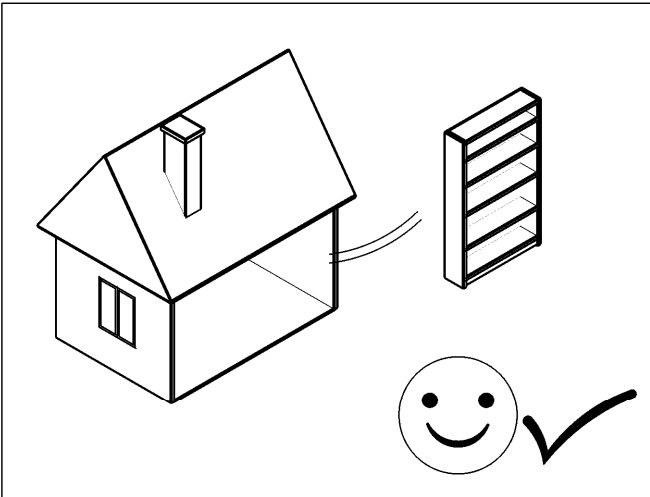
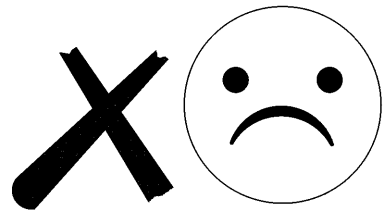
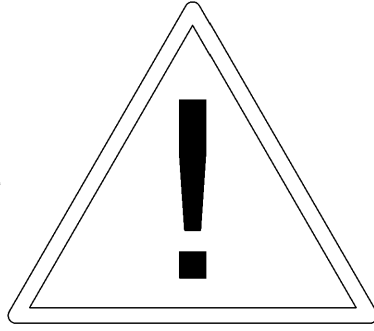
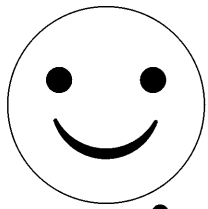
MAX  
70 kg

D2

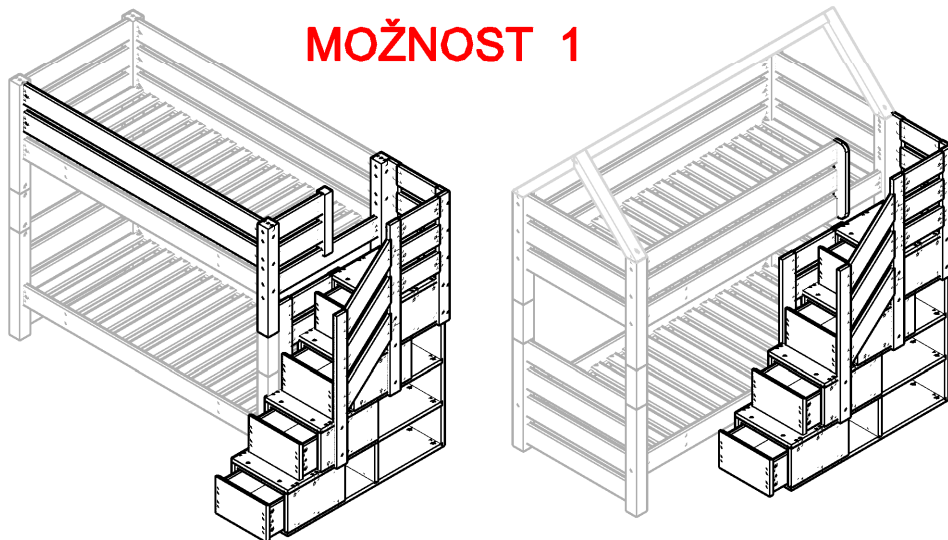


MAX  
90 kg

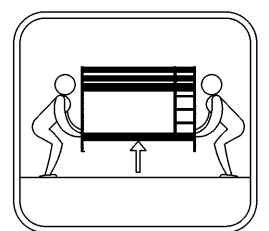
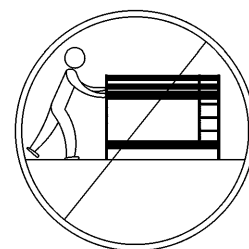
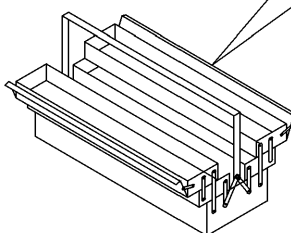
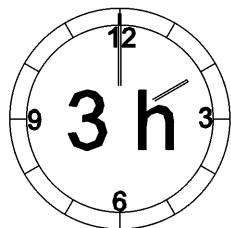
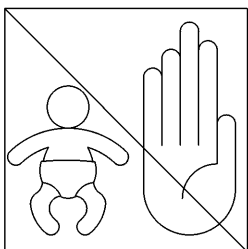
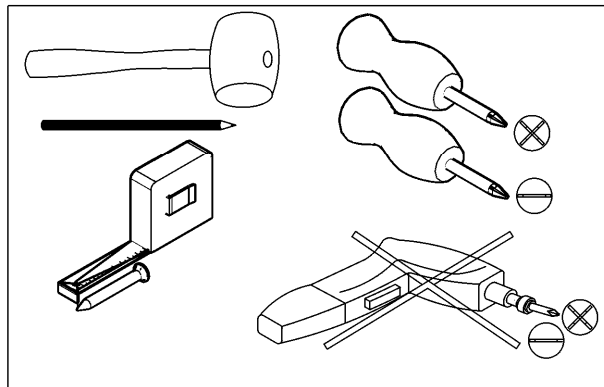
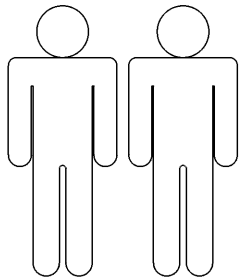
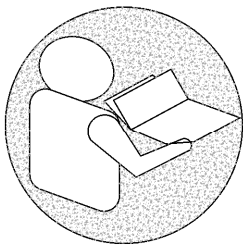
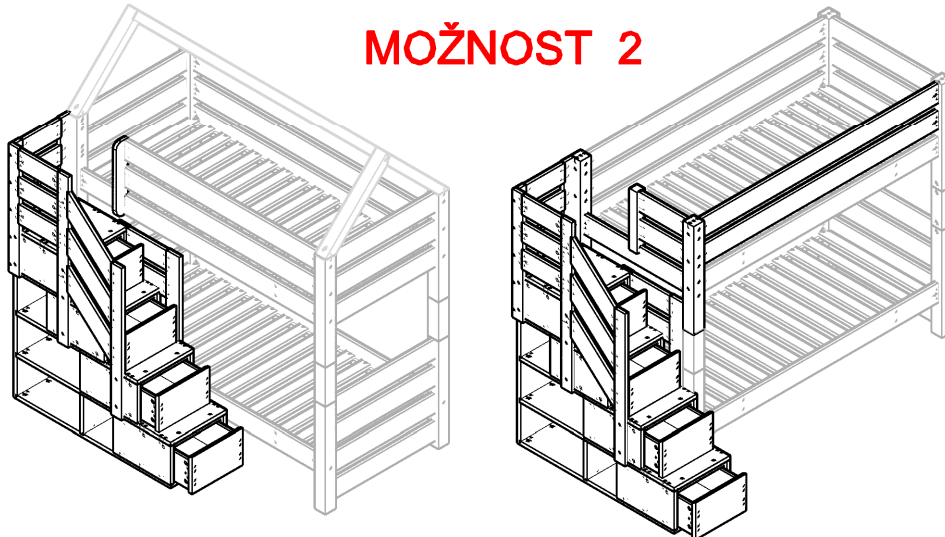


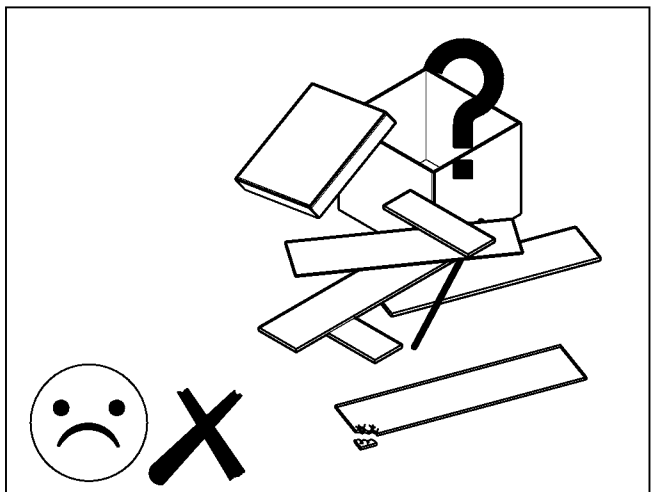
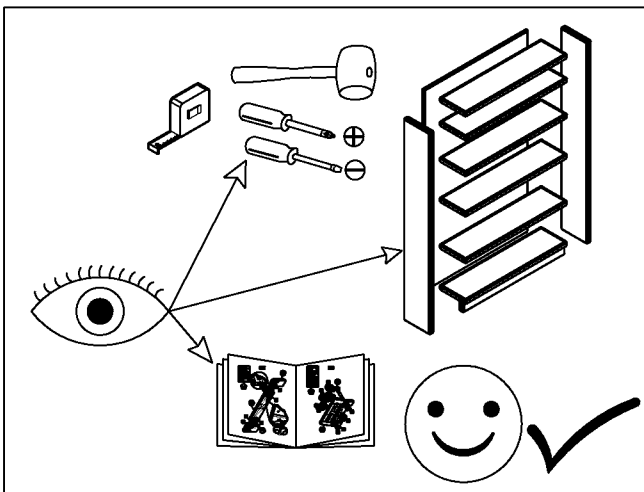
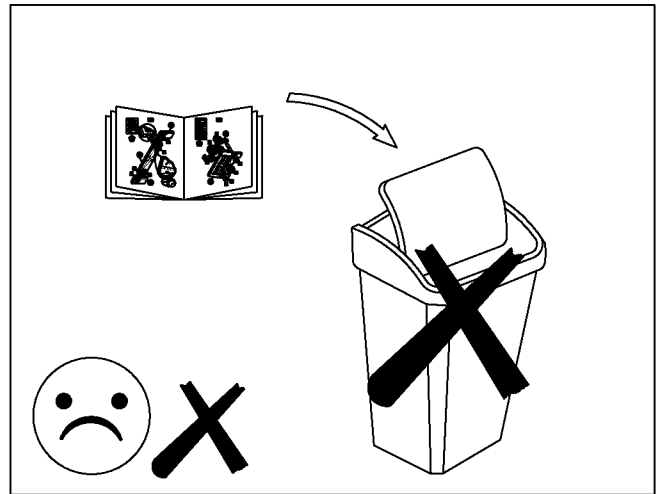
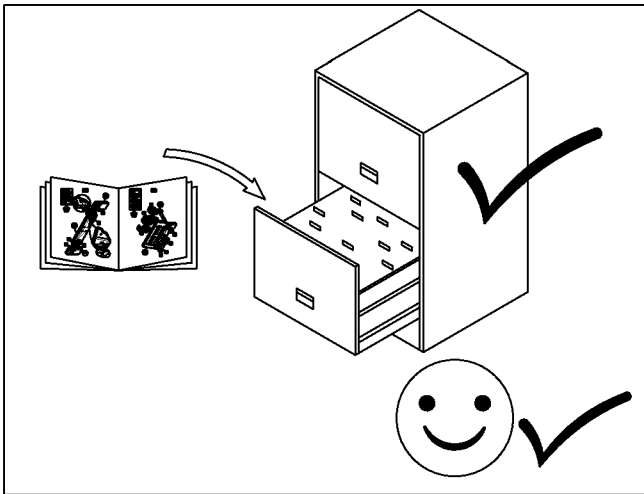
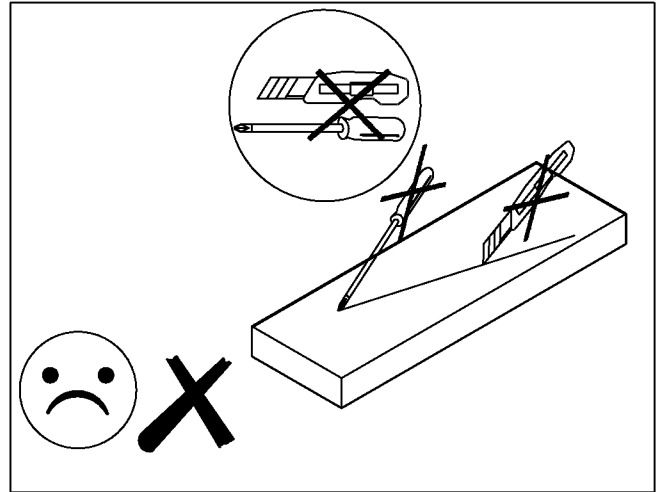
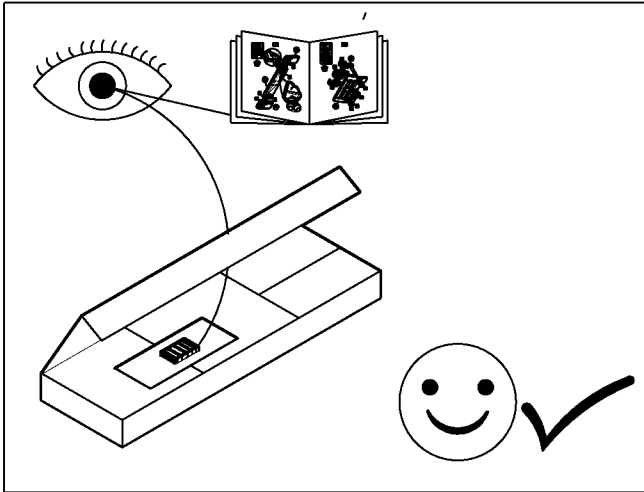
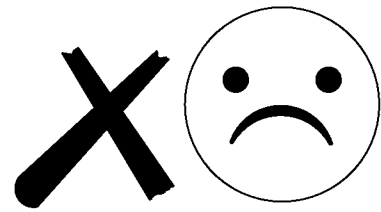
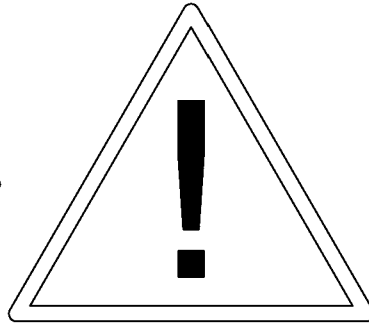
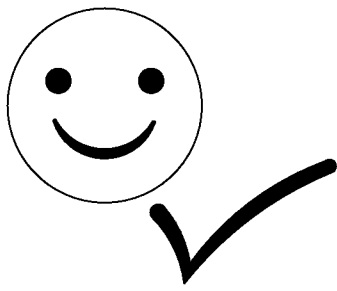


## MOŽNOST 1

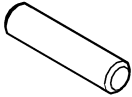
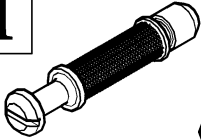
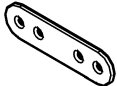

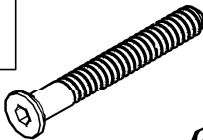
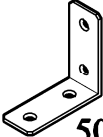
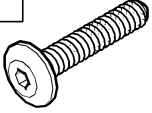
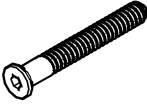
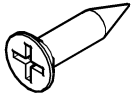
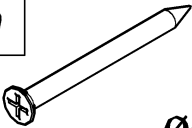

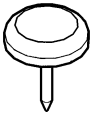
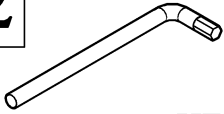
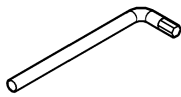
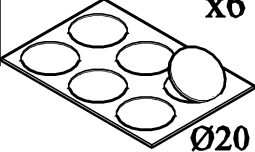
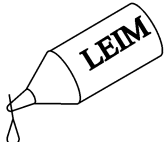
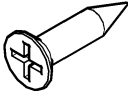

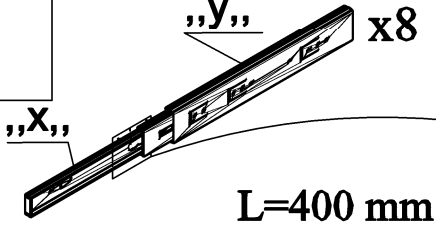


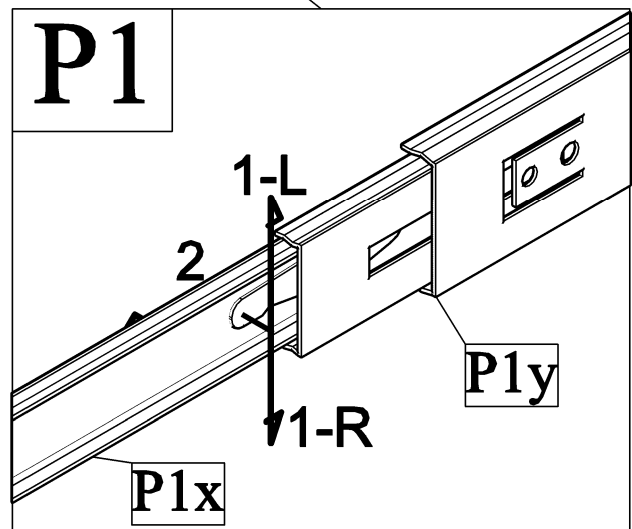
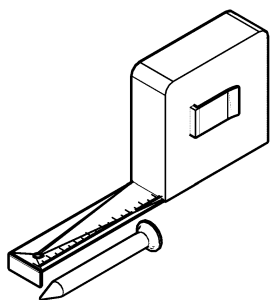
## MOŽNOST 2

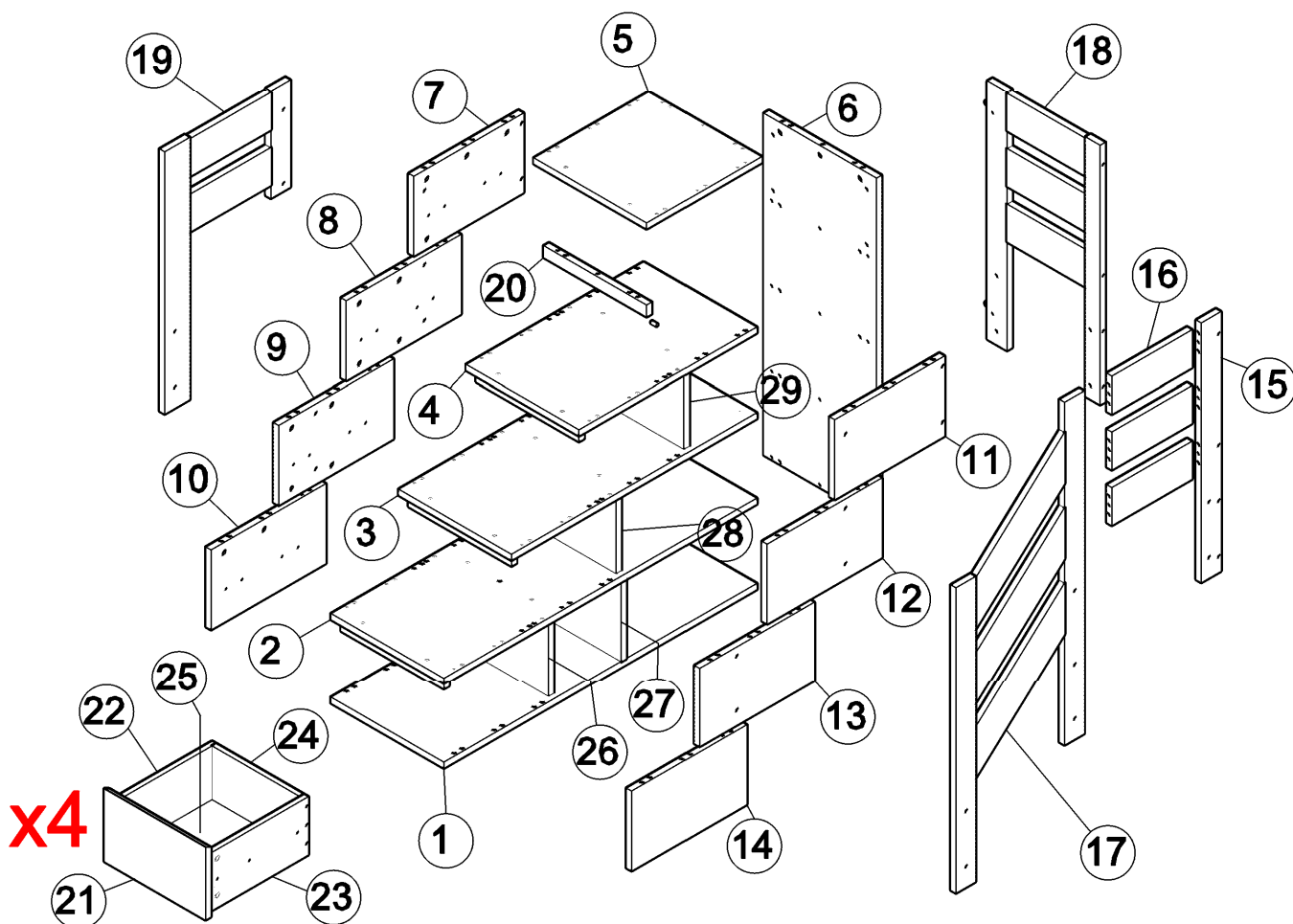




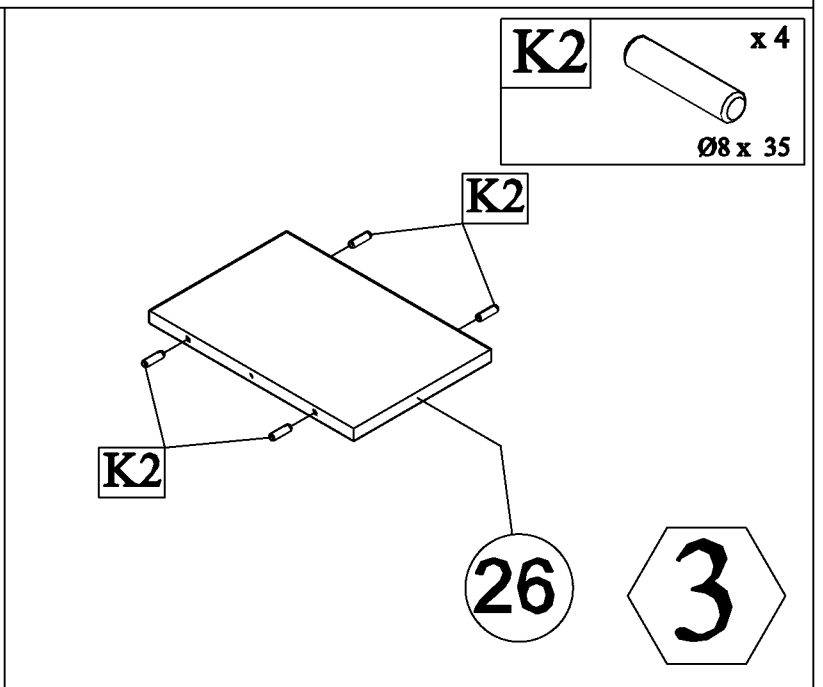
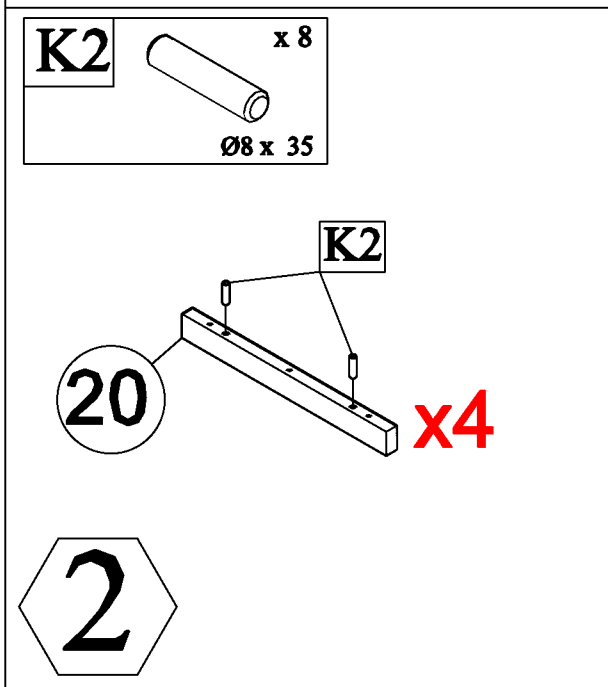
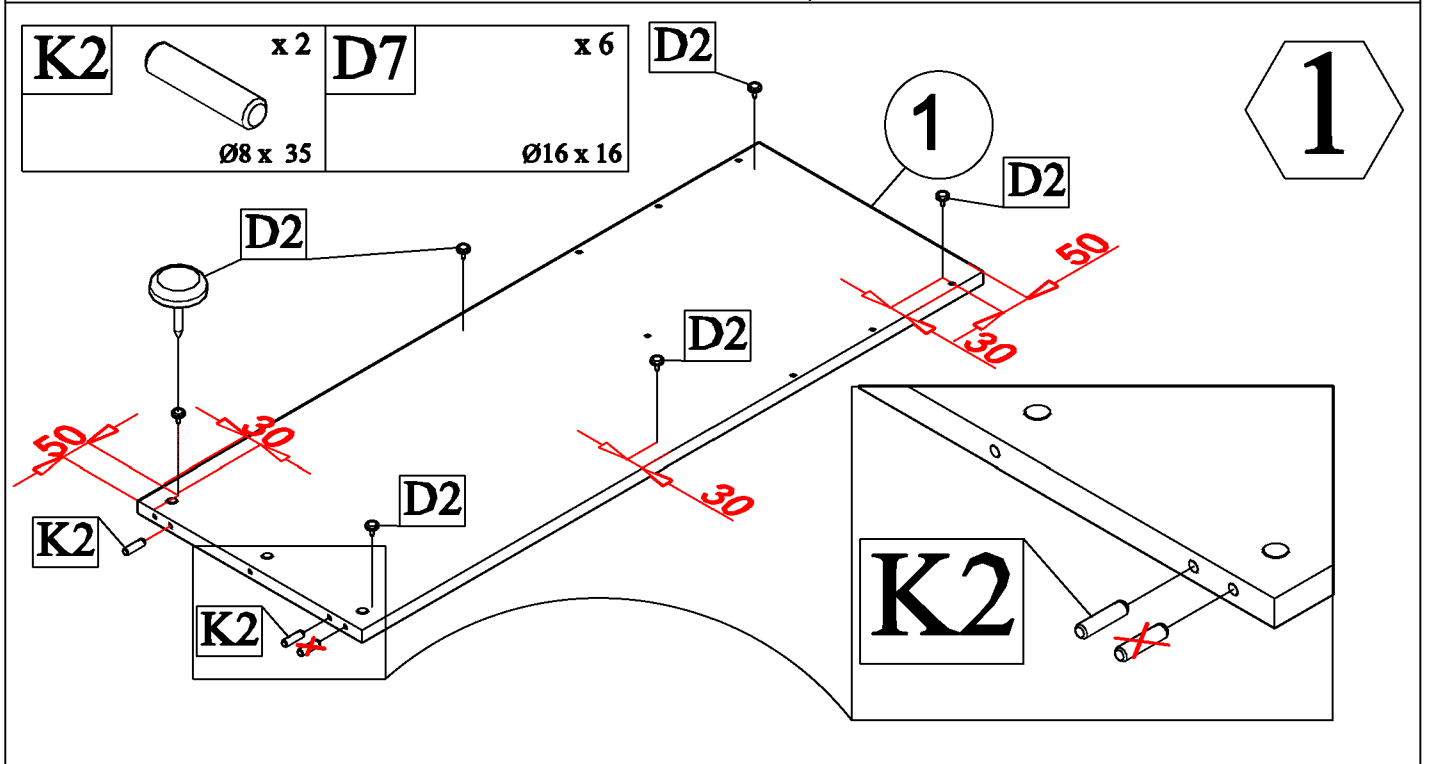
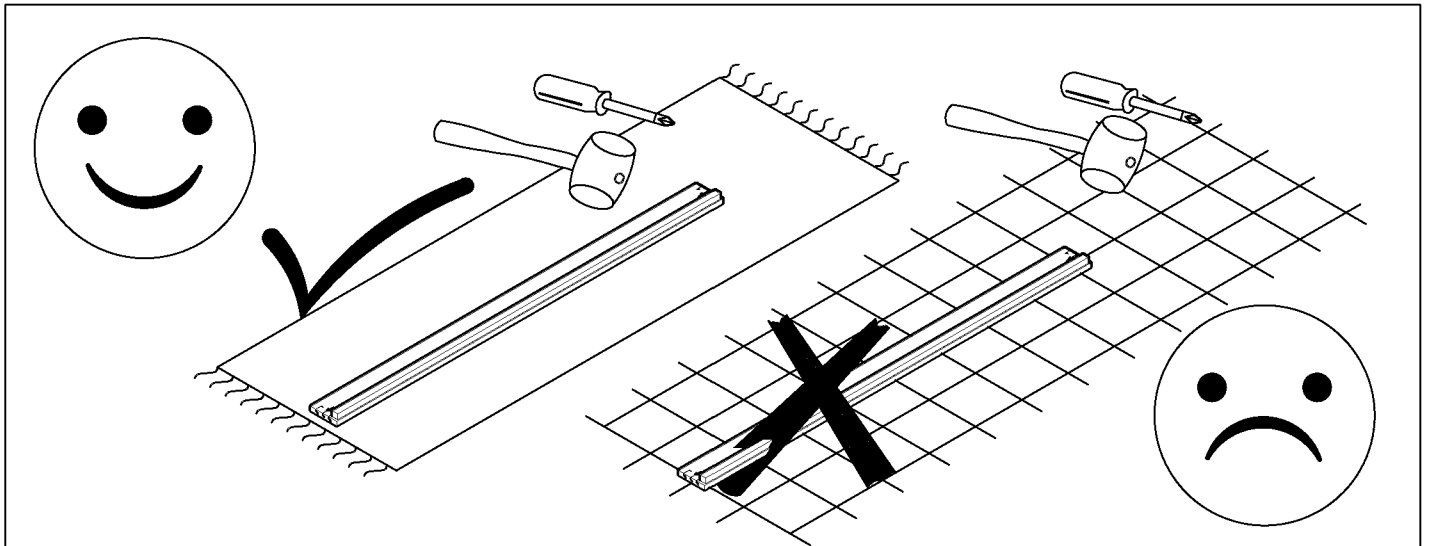


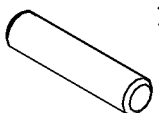
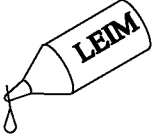
<b>K2</b>  x 114 Ø8 x 35	<b>M1</b>  x 65 Ø6,3/34	<b>B2</b>  x2 60 x 15
<b>M2</b>  x65 Ø15	<b>C2</b>  x 26 Ø7 x 50	<b>B5</b>  x1 50 x 50 x20
<b>J13</b>  x 15 M6 X 35	<b>C1</b>  x24 Ø5 x 40	<b>S4</b>  x12 Ø3,5 x 20
<b>S15</b>  x 12 Ø4 x 55	<b>H7</b>  x 15 M6/Ø8 x 15	<b>D7</b>  x6 Ø16 x 16
<b>F2</b>  x 2 HEX 4 mm	<b>F1</b>  x1 HEX 3 mm	<b>D18</b>  x6 Ø20
<b>Q1</b>  x2	<b>S2</b>  x56 Ø3,5 x 16	<b>D2</b>  x1 Ø8
<b>P1</b>  x8 L=400 mm		



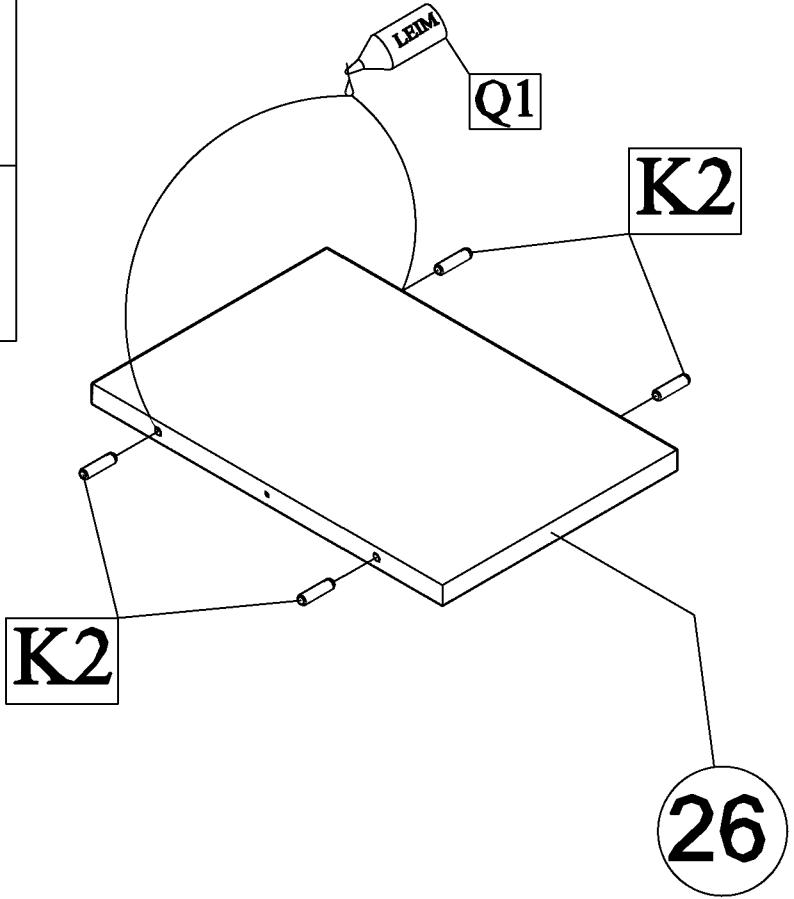


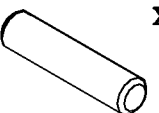
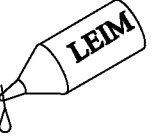
PŘEDMĚT ČÍSLO	POČET KS	DIMENZE L X B X T(MM)	✓	PŘEDMĚT ČÍSLO	POČET KS	DIMENZE L X B X T(MM)	✓
16	3	320 x 130 x 20		1	1	1248 x 450 x 20	
17	1	1485 x 512 x 20		2	1	1248 x 450 x 20	
18	1	895 x 450 x 20		3	1	978 x 450 x 20	
19	1	904 x 502 x 20		4	1	708 x 450 x 20	
20	4	410 x 40 x 20		5	1	458 x 450 x 20	
21	4	404 x 250 x 20		6	1	1180 x 450 x 20	
22	4	400 x 200 x 16		7	1	438 x 275 x 20	
23	4	400 x 200 x 16		8	1	458 x 275 x 20	
24	4	352 x 200 x 16		9	1	458 x 275 x 20	
25	4	397 X 365 X 3		10	1	458 x 275 x 20	
26	1	275 X 410 X 20		11	1	438 x 275 x 20	
27	1	275 X 450 X 20		12	1	458 x 275 x 20	
28	1	275 X 410 X 20		13	1	458 x 275 x 20	
29	1	275 X 410 X 20		14	1	458 x 275 x 20	
				15	1	895 x 78 x 20	



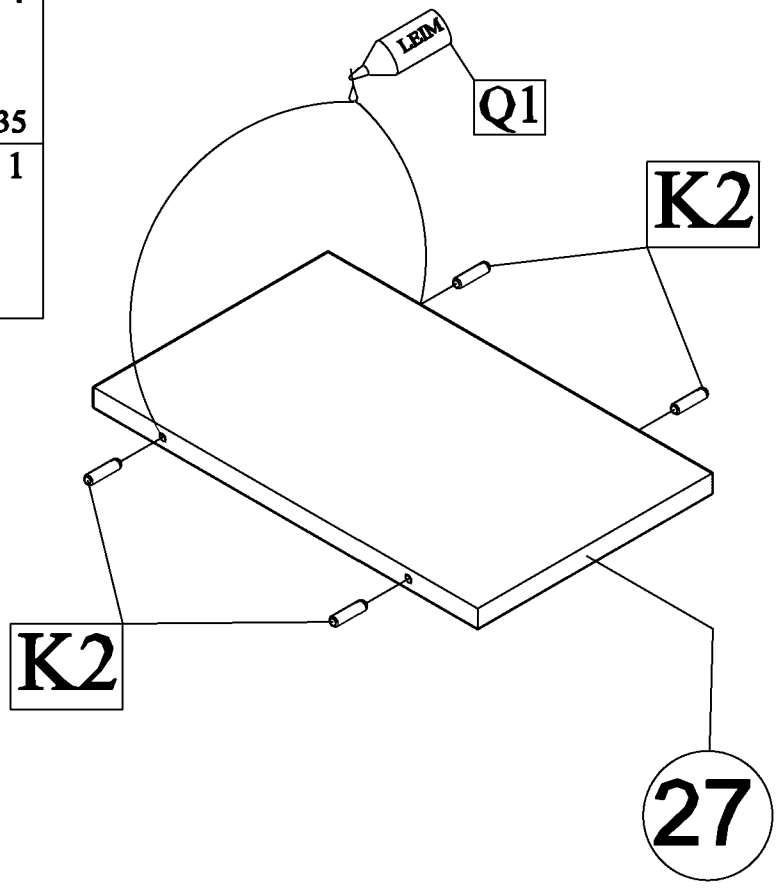
<b>K2</b>		x 4
		Ø8 x 35
<b>Q1</b>		x 1

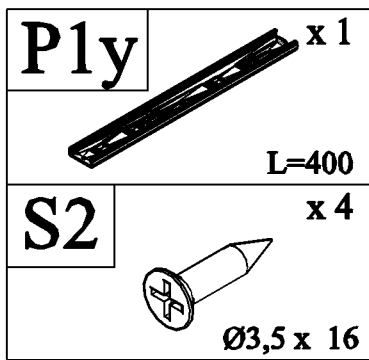
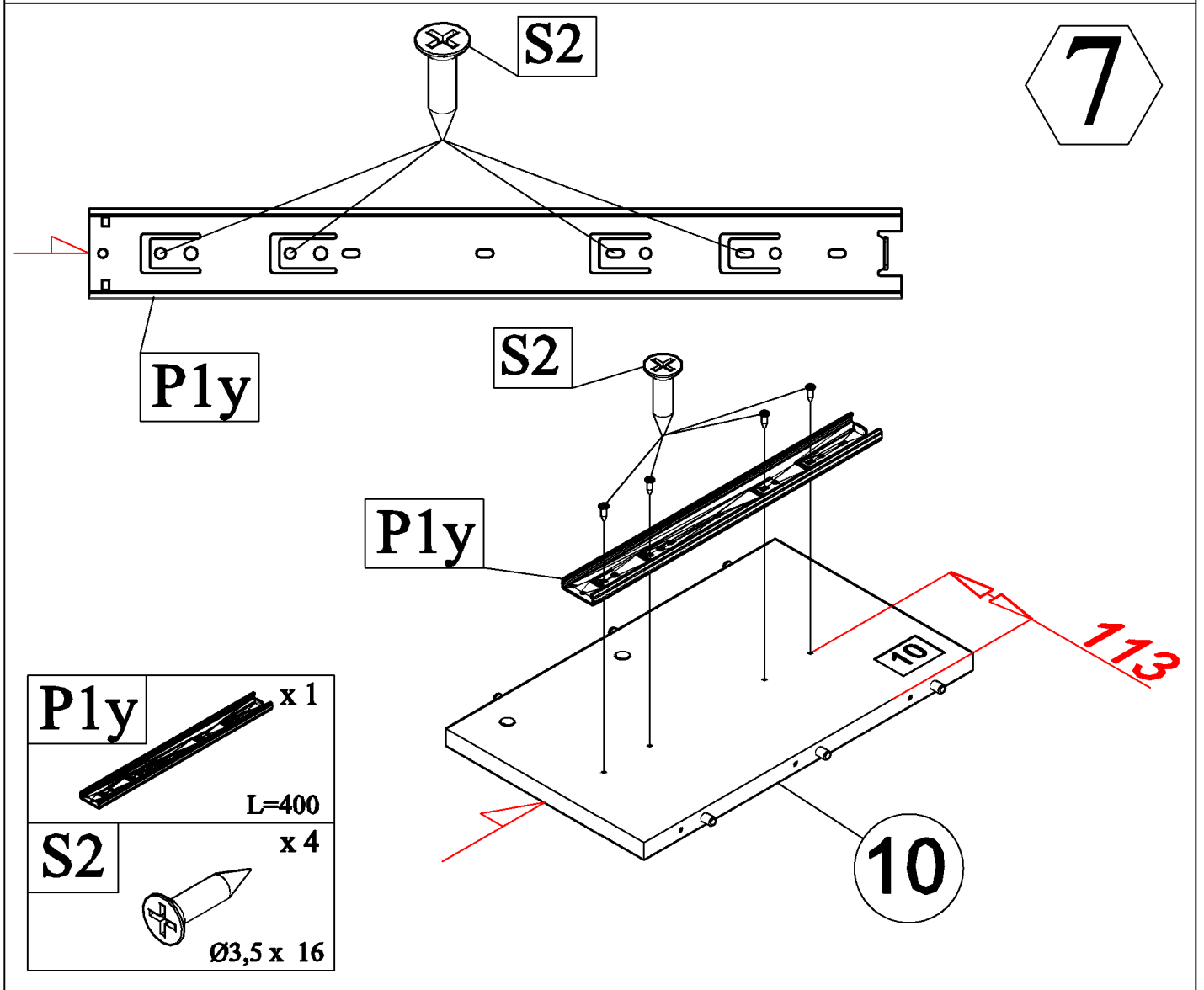
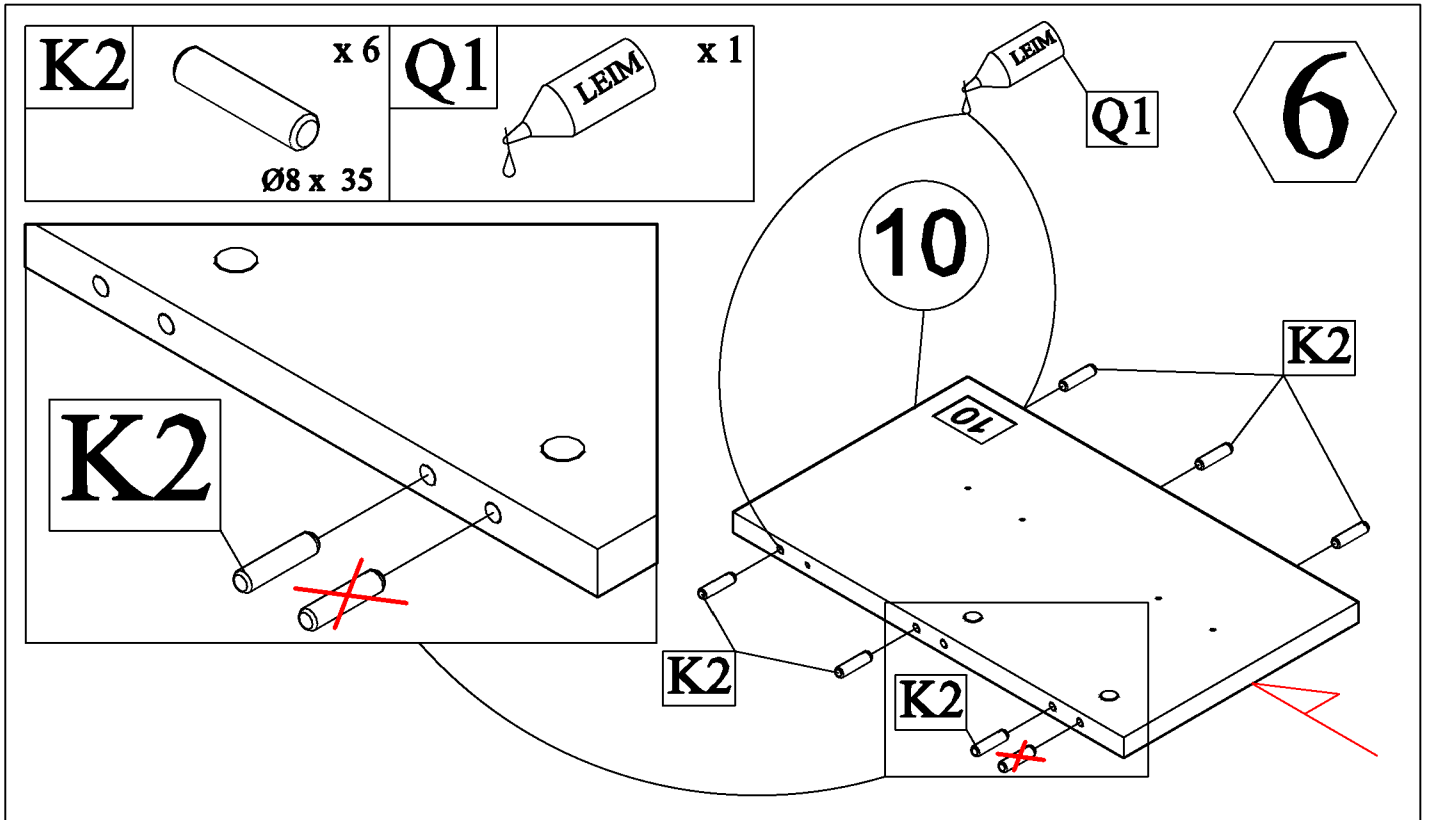
4

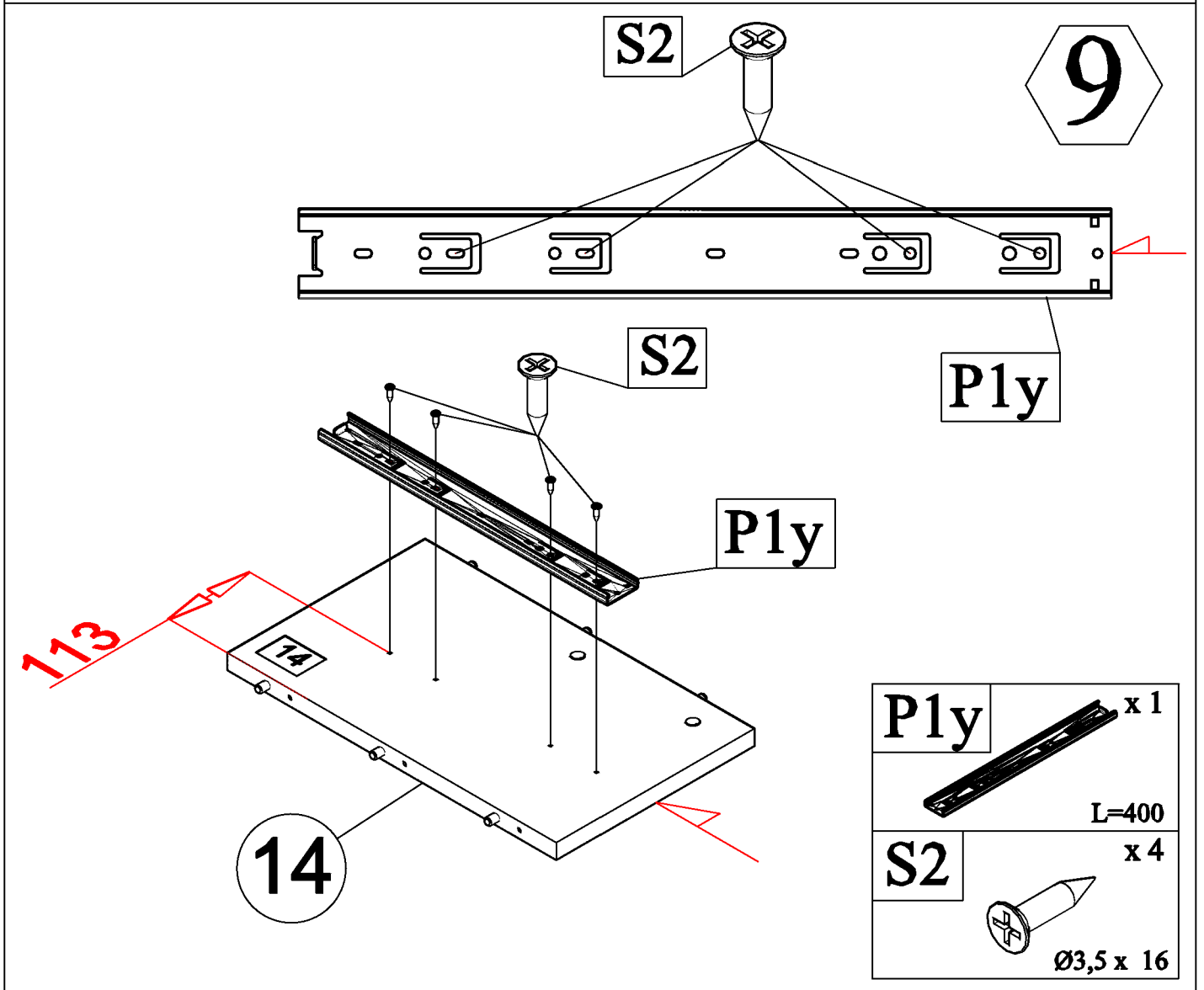
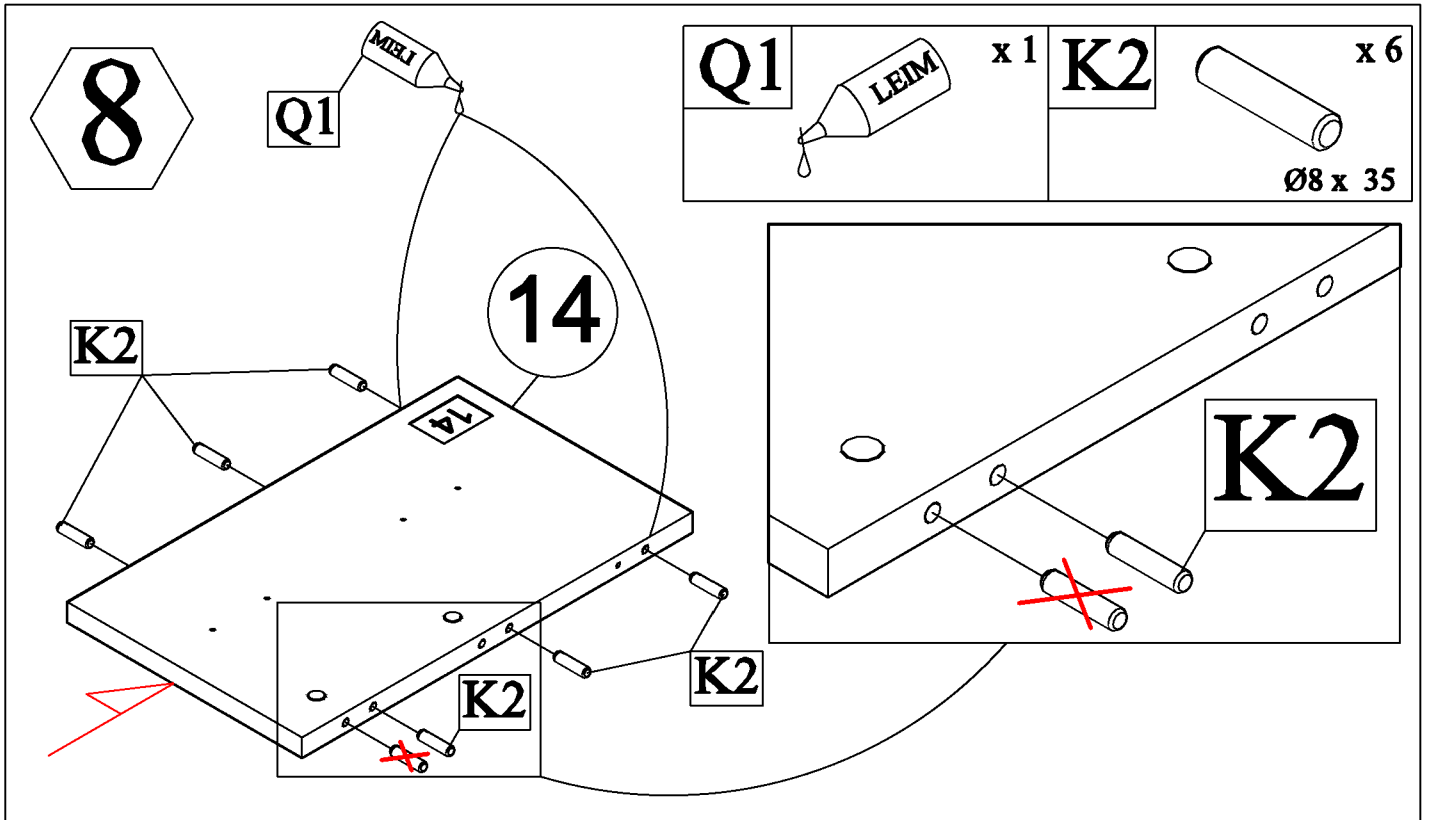


<b>K2</b>		x 4
		Ø8 x 35
<b>Q1</b>		x 1

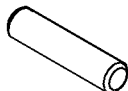
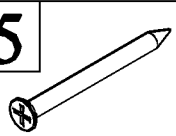
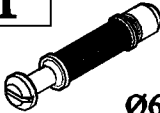
5

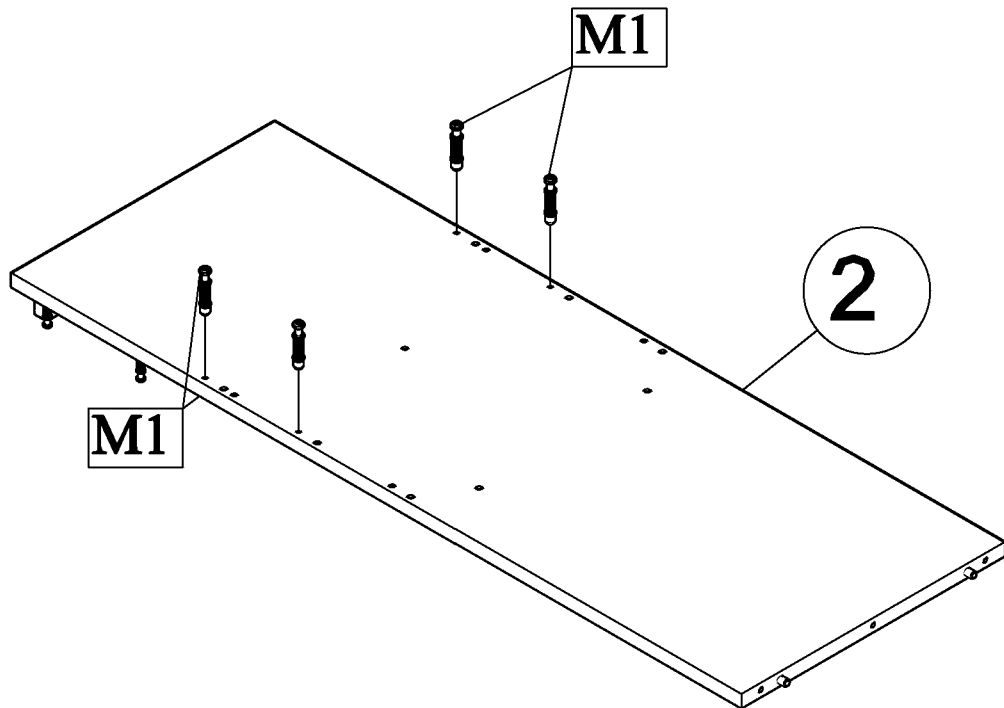
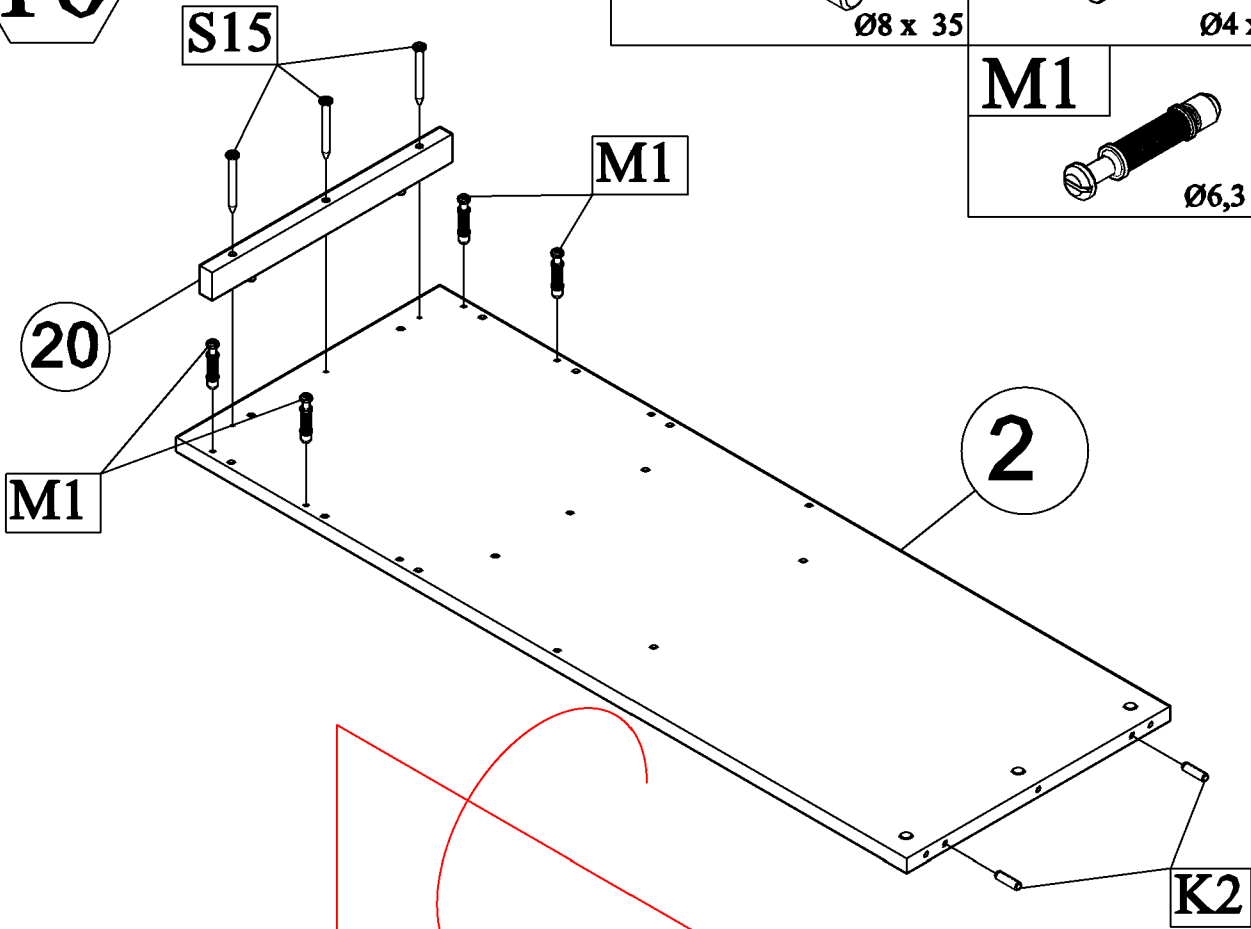


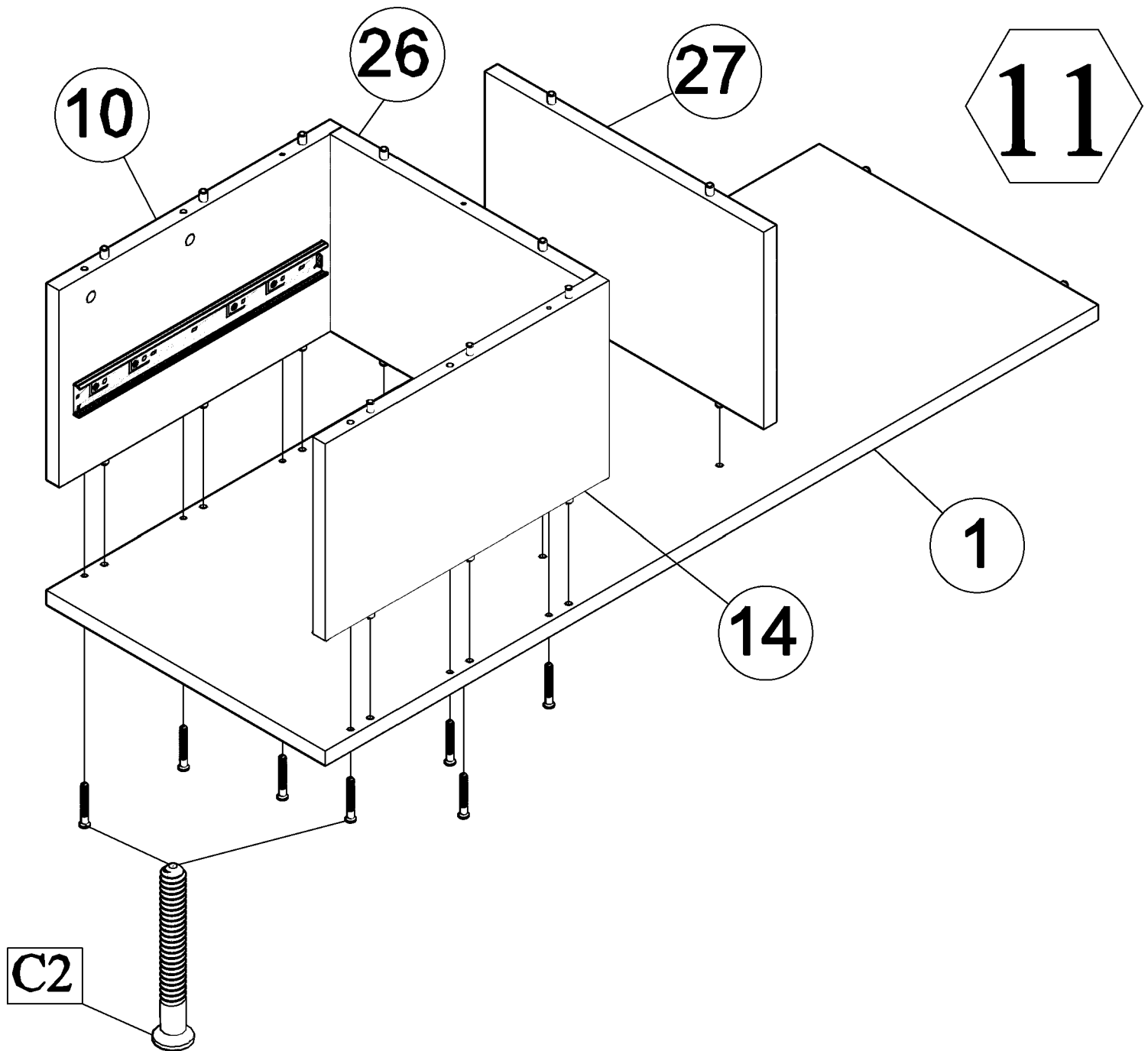
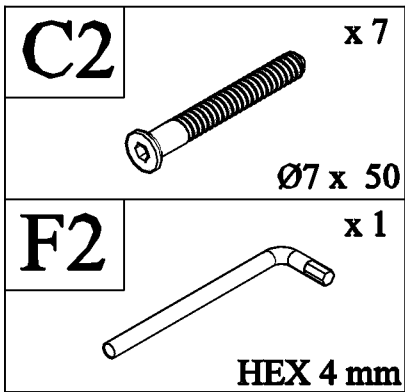




10

<b>K2</b>	x2	<b>S15</b>	x3
	$\varnothing 8 \times 35$		$\varnothing 4 \times 55$
<b>M1</b>	x8		$\varnothing 6,3 / 34$







12

C2

C2

2

11/44

M2

M2

F2

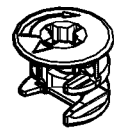
x 1



HEX 4 mm

M2

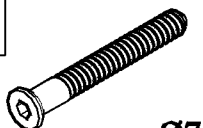
x 4



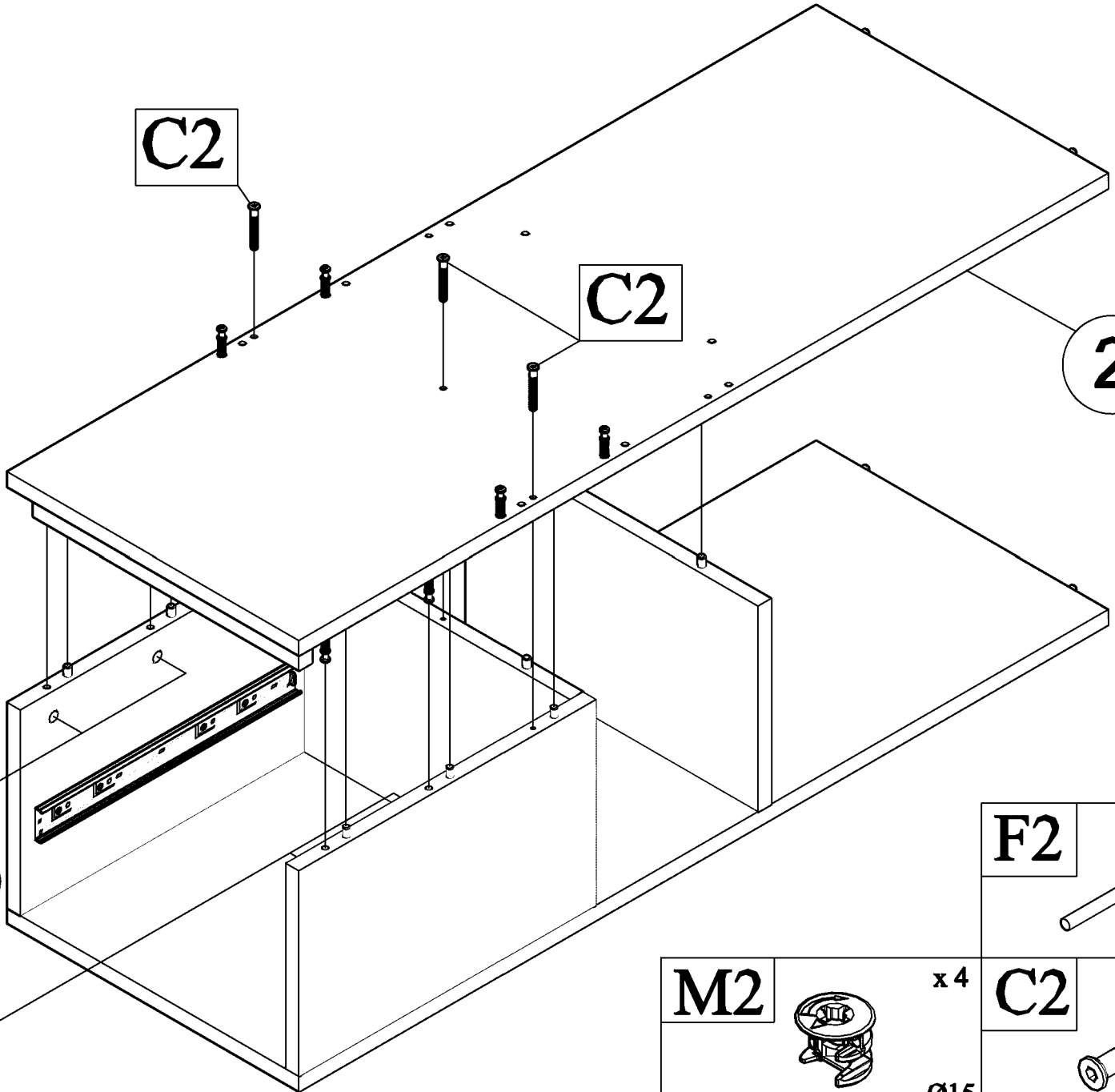
Ø15

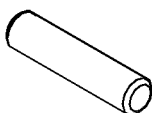
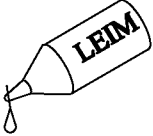
C2

x 3

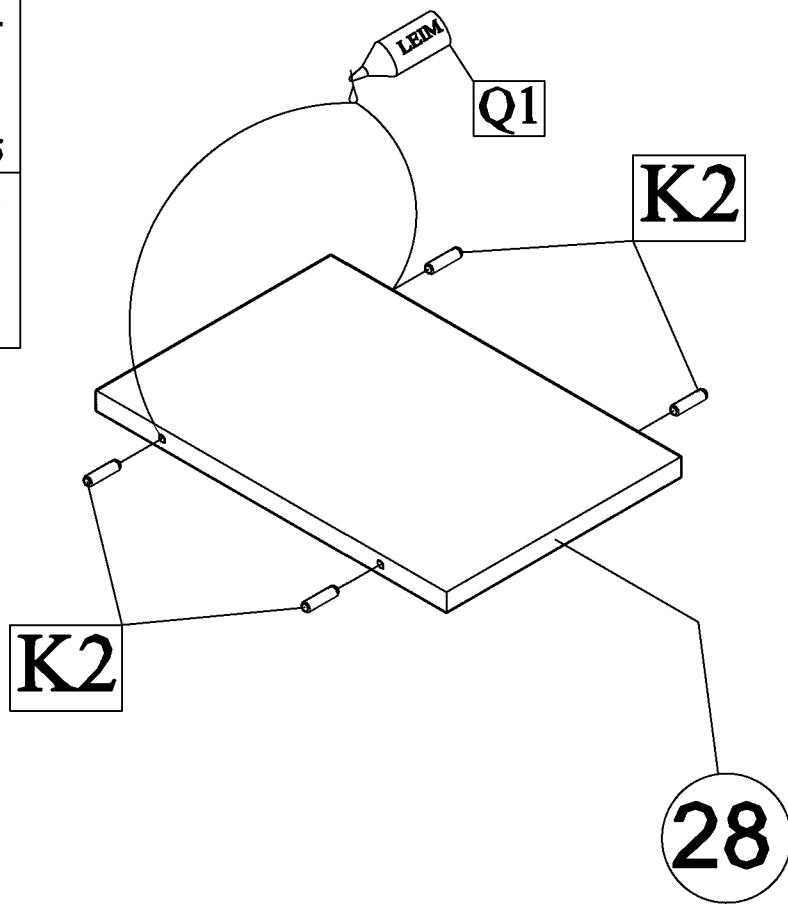


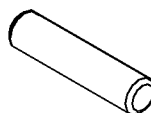

Ø7 x 50



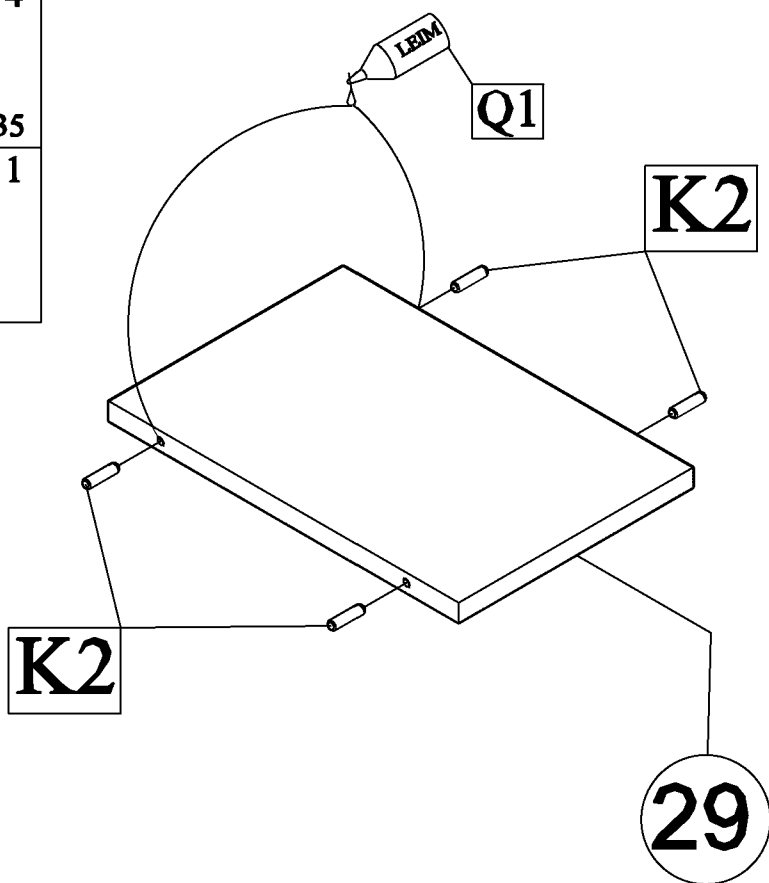
<b>K2</b>		x 4
		Ø8 x 35
<b>Q1</b>		x 1

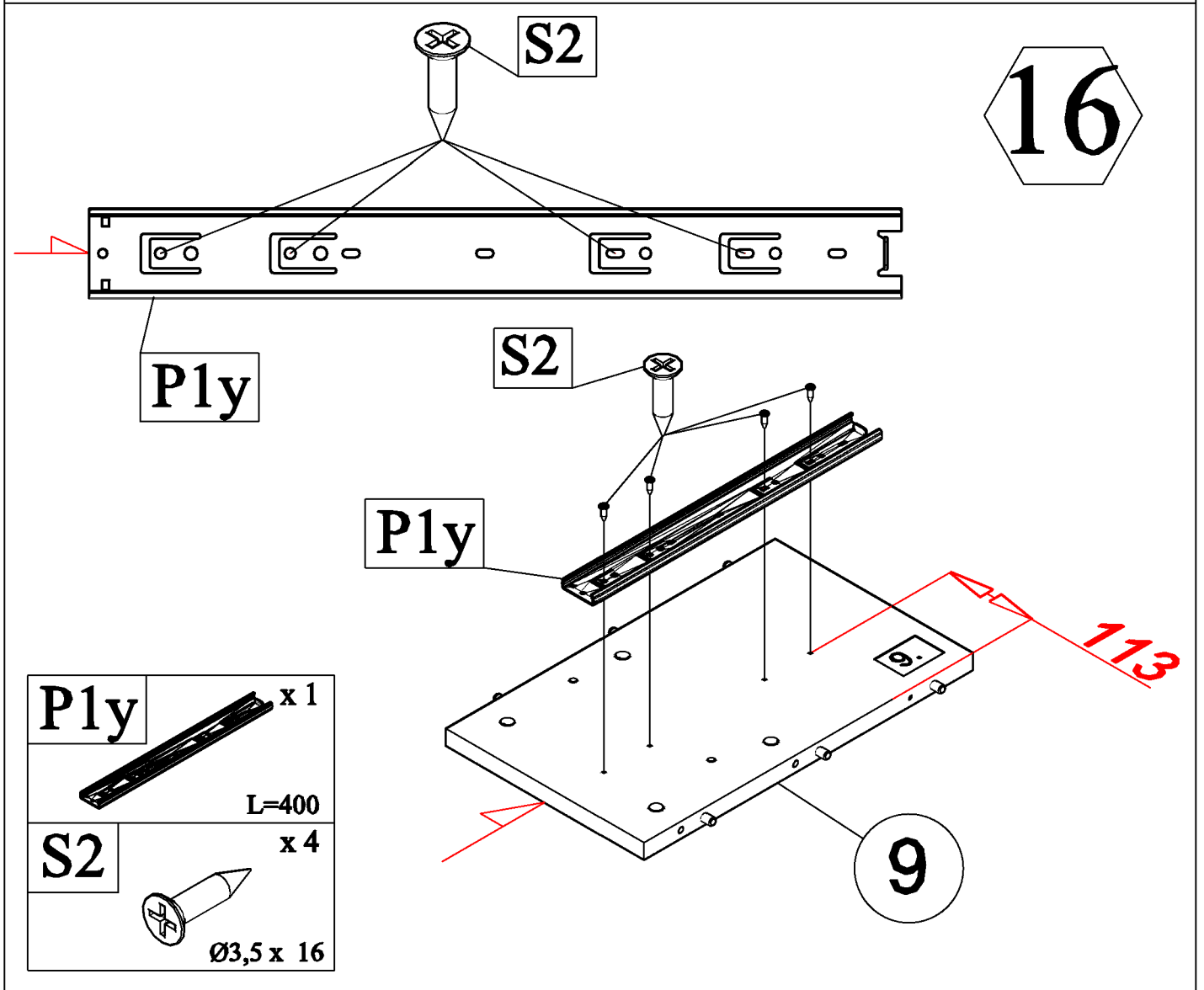
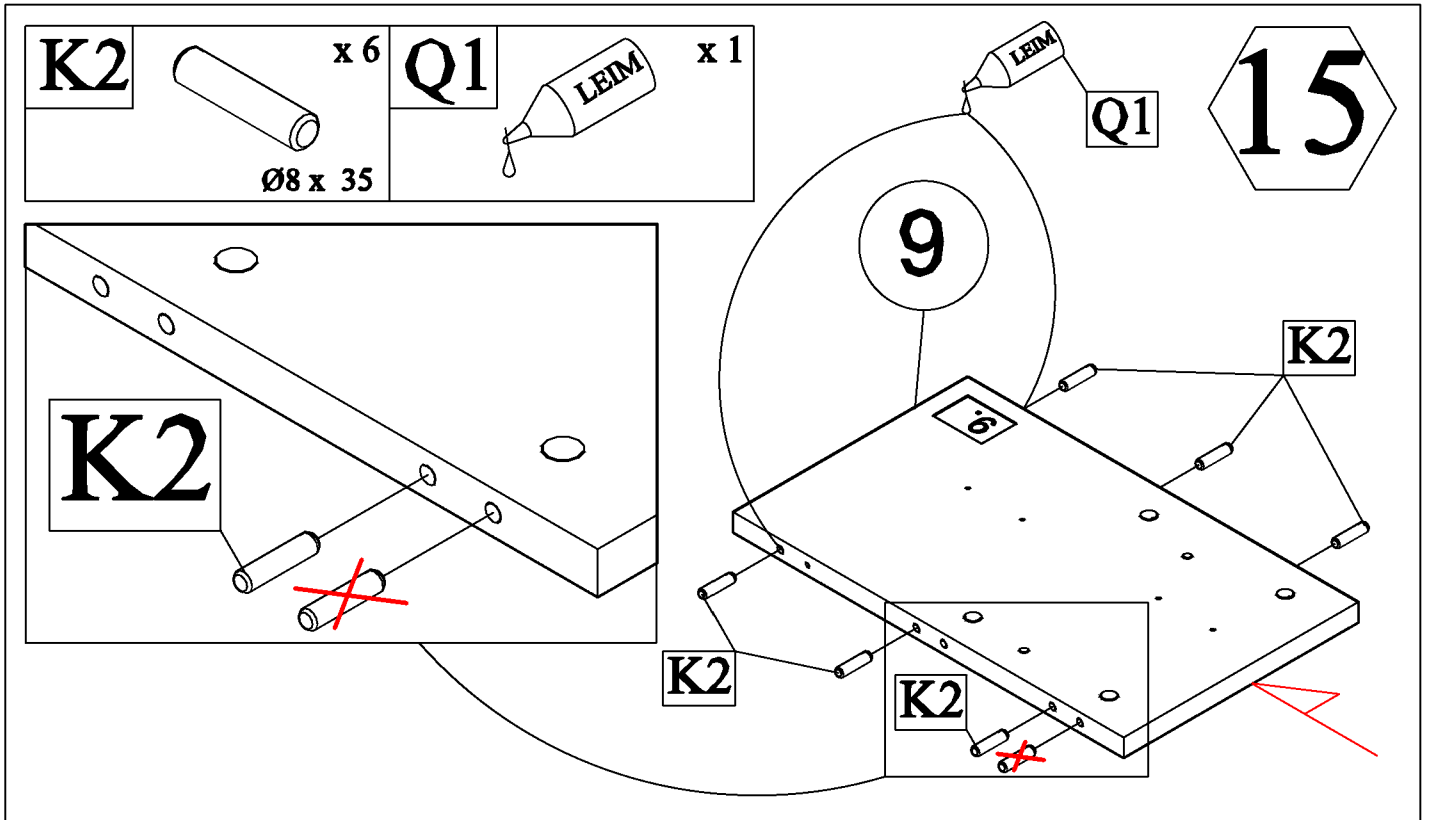
13



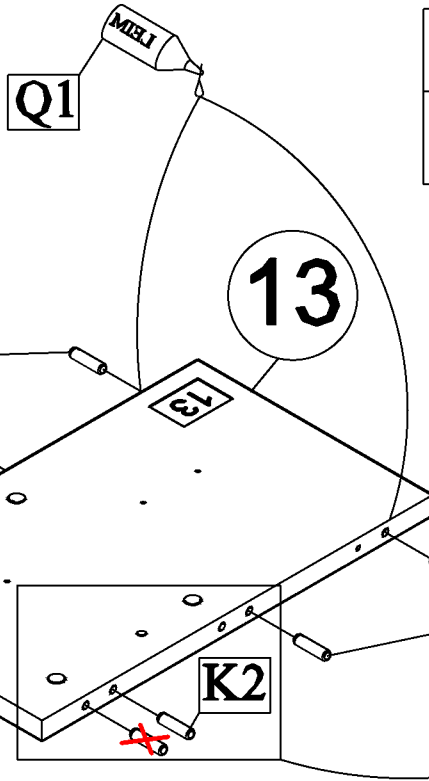
<b>K2</b>		x 4
		Ø8 x 35
<b>Q1</b>		x 1


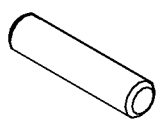
14

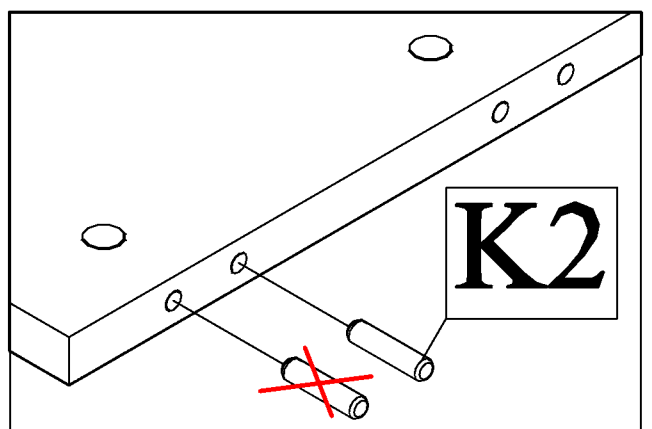




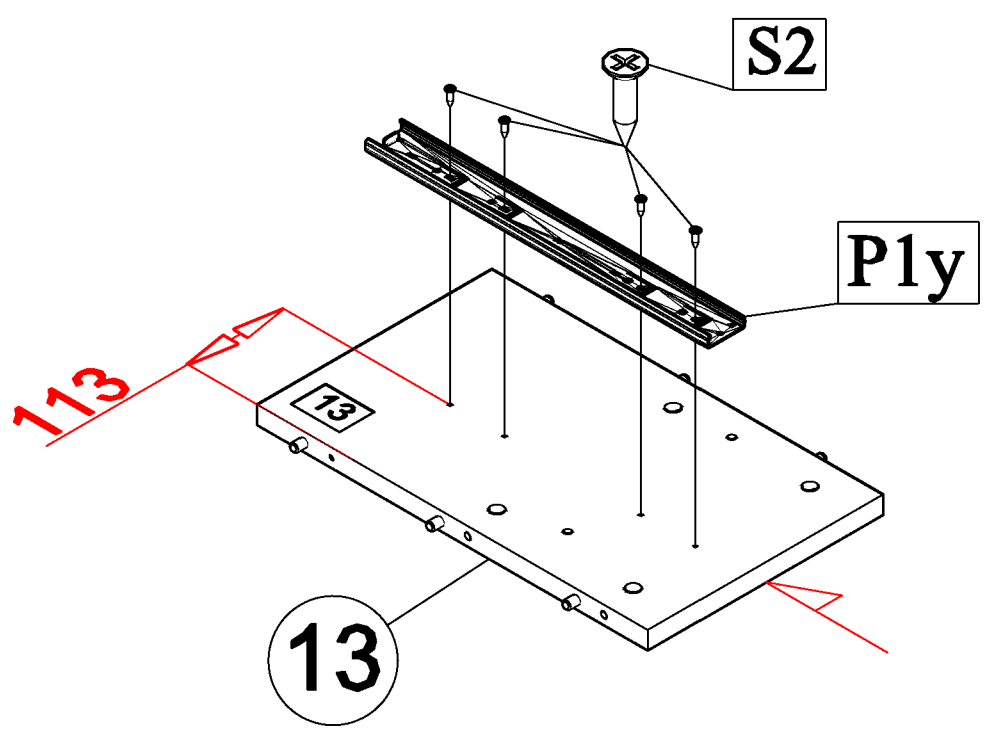
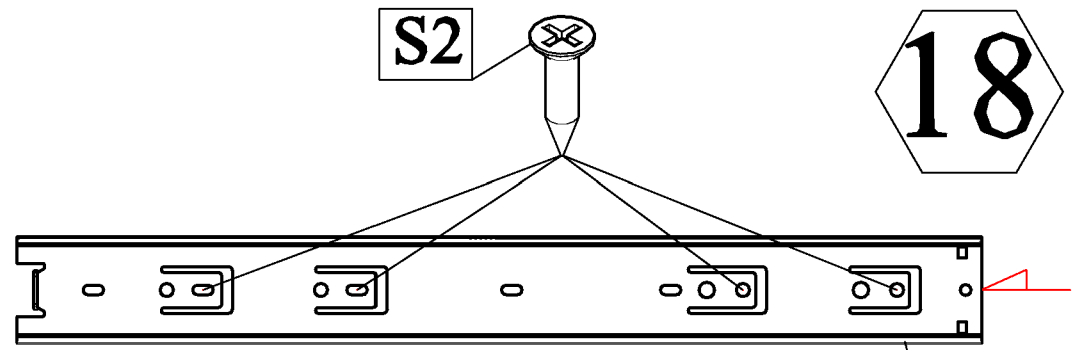
17

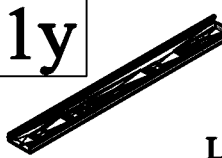
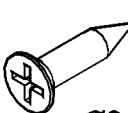


Q1	 x 1	K2	 x 6
			Ø8 x 35

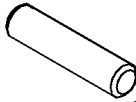
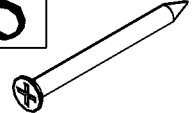
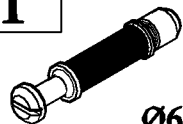


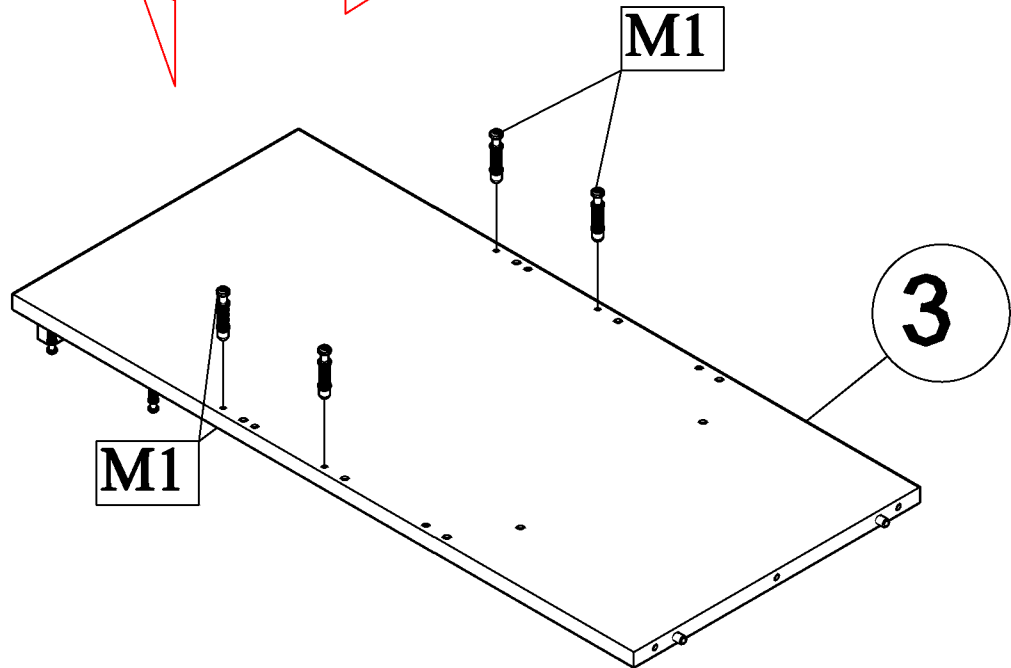
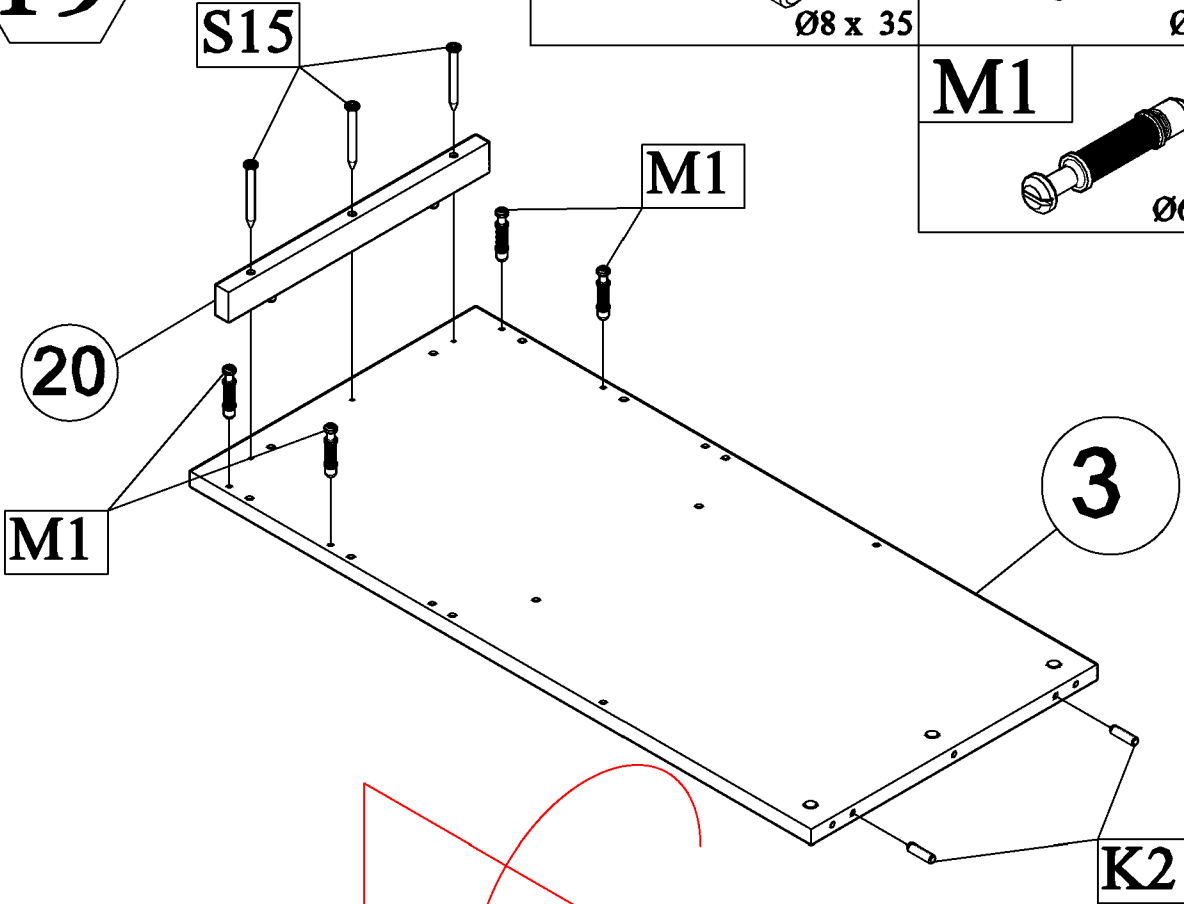
18



Ply	 x 1
	L=400
S2	 x 4
	Ø3,5 x 16

19

<b>K2</b>	x 2	<b>S15</b>	x 3
			
	Ø8 x 35		Ø4 x 55
<b>M1</b>	x 8		
			
	Ø6,3 / 34		



20

9

28

13

M2

M2

C2

F2

x 1

HEX 4 mm

M2

x 4

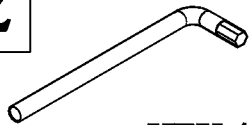
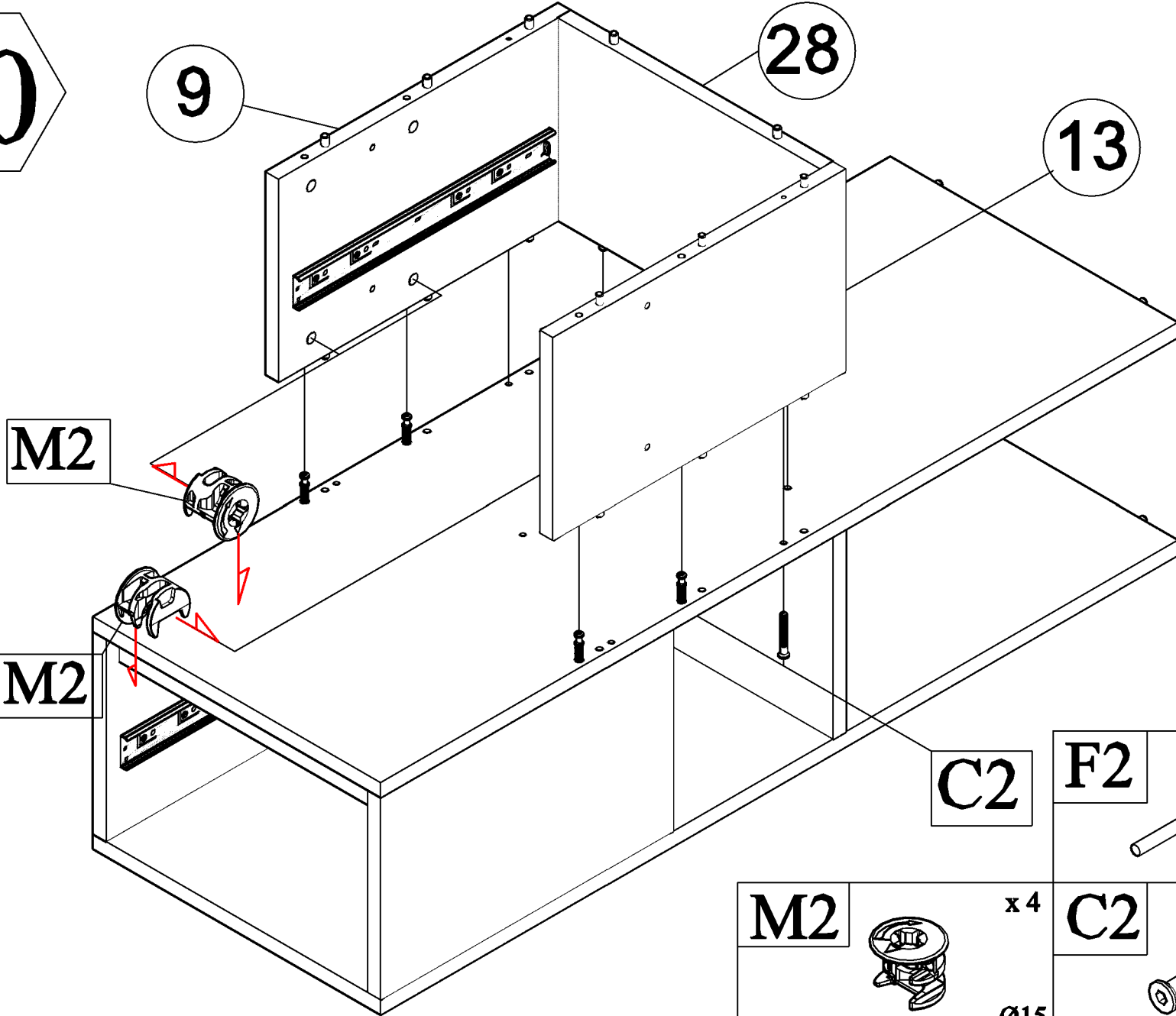
C2

x 2

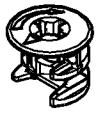
Ø15

Ø7 x 50

16/44



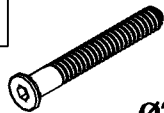
M2



x 4

Ø15

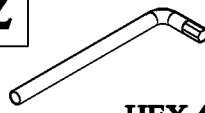
C2



x 2

Ø7 x 50

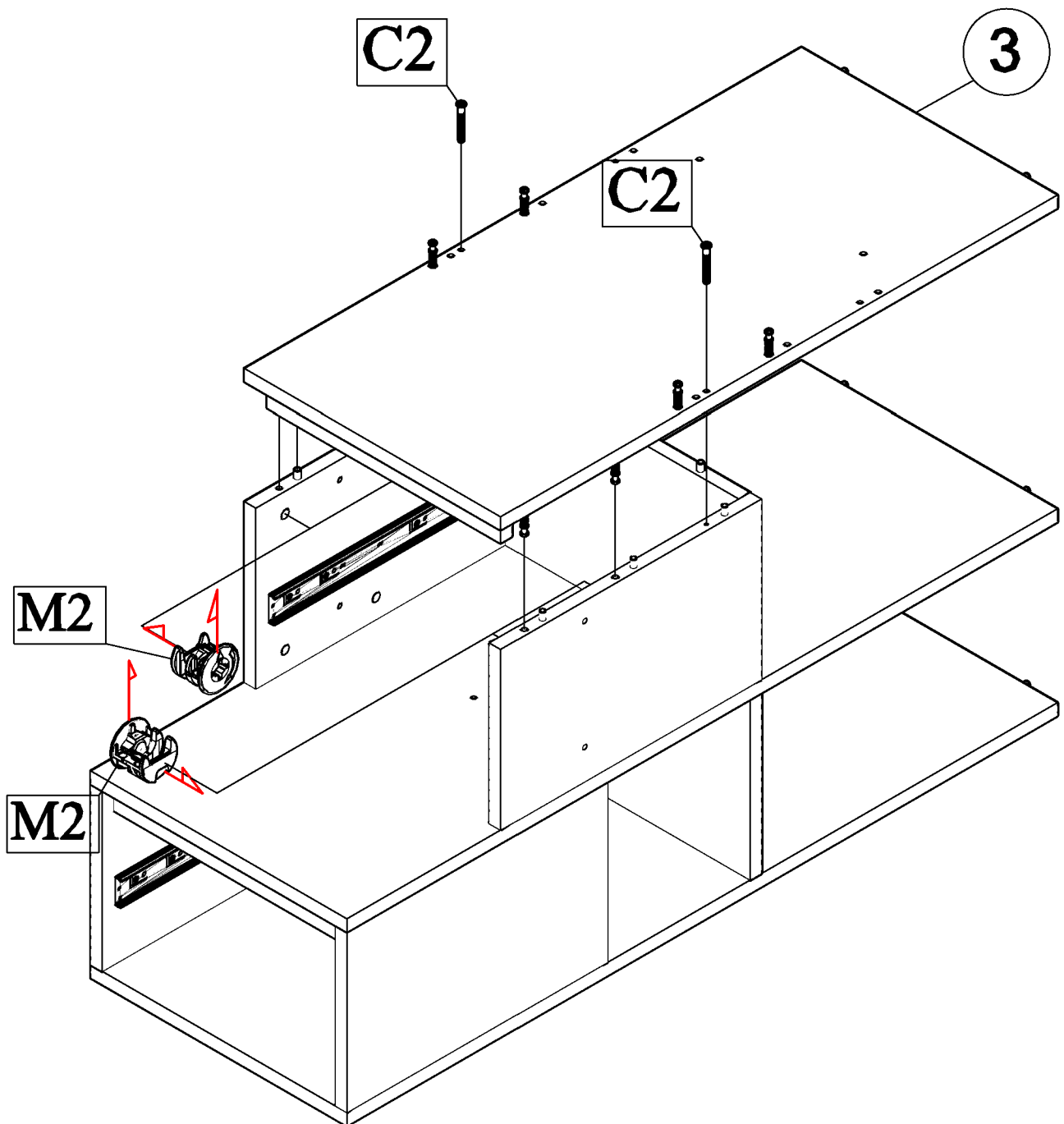
F2

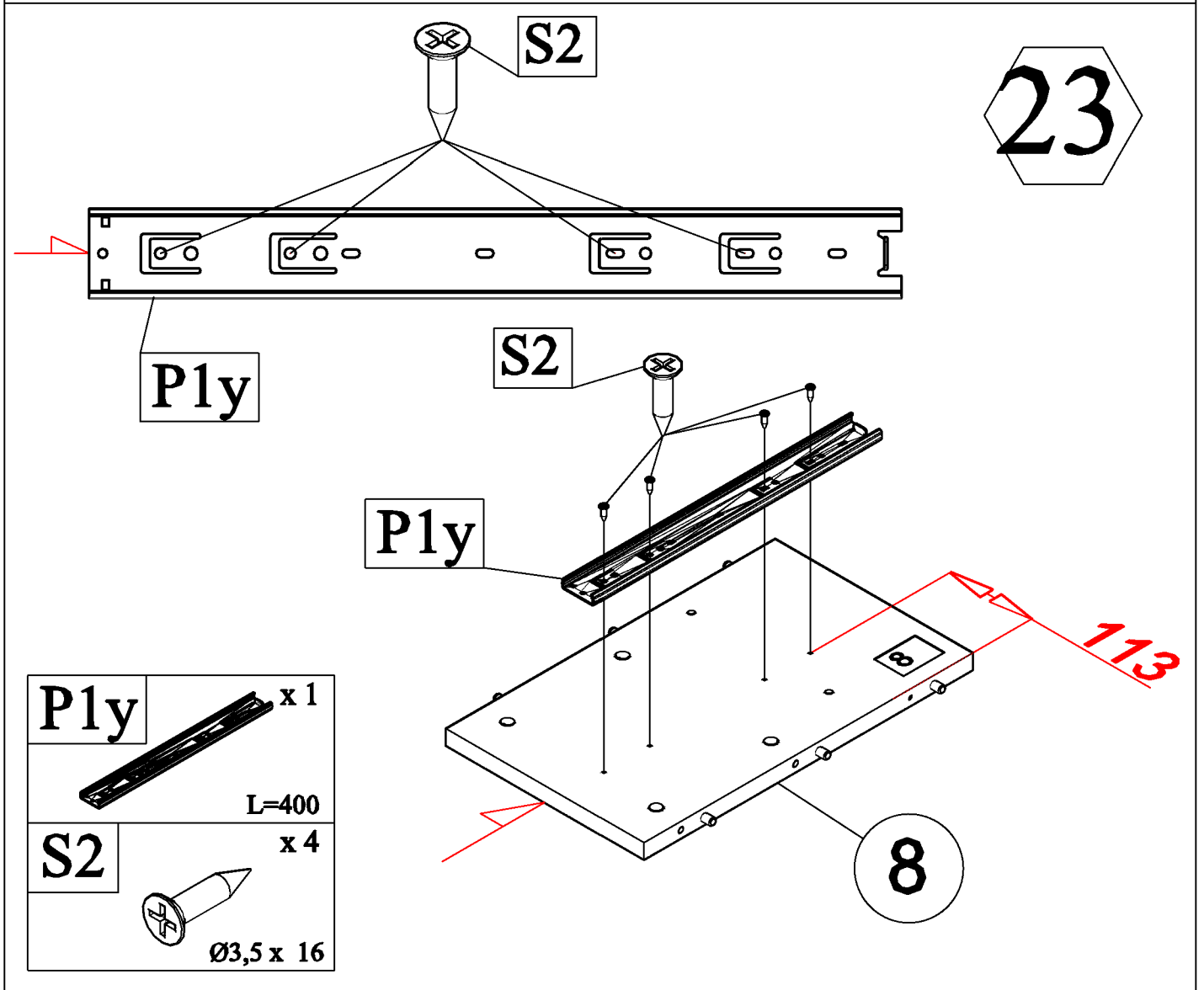
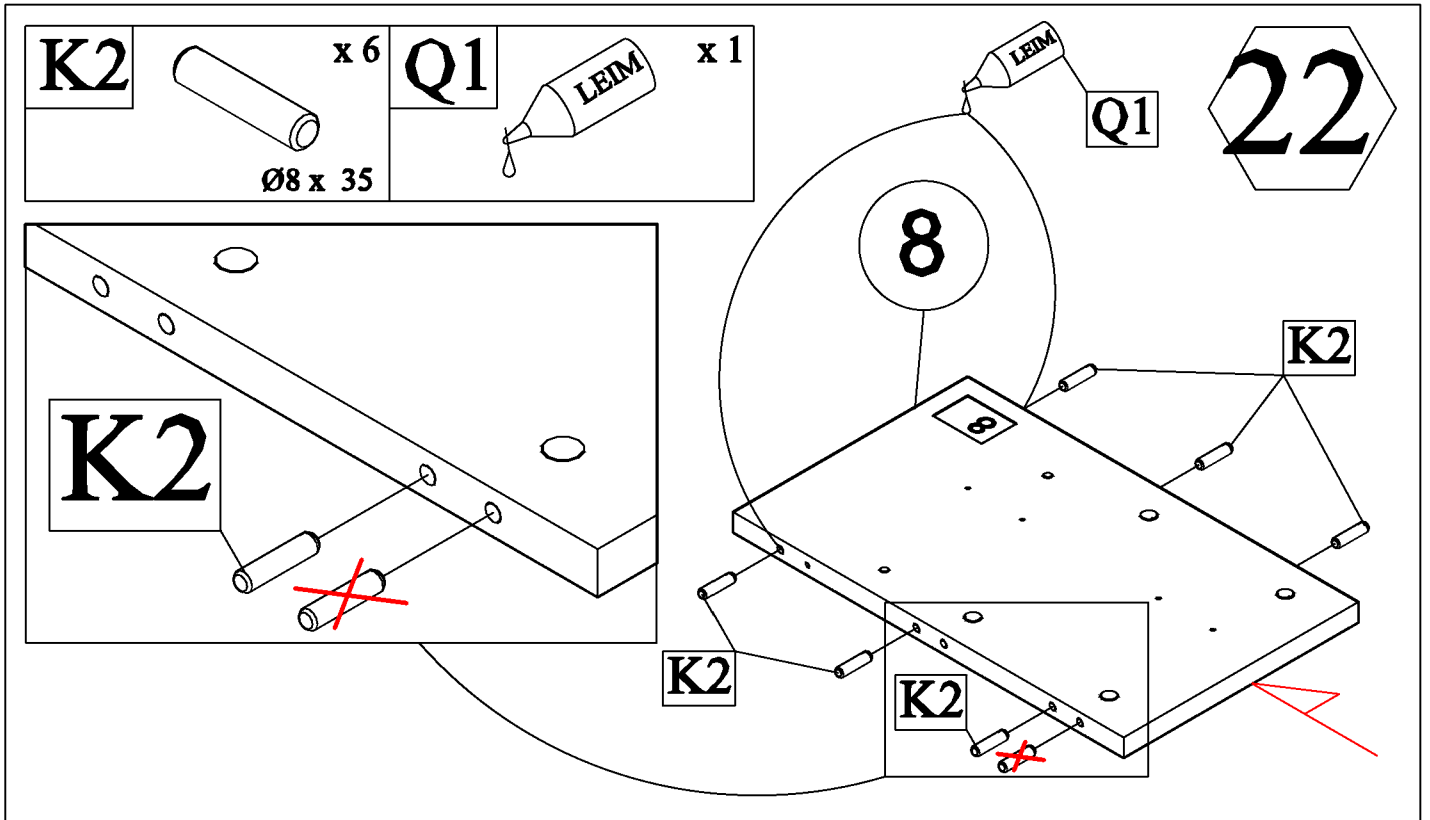


x 1

HEX 4 mm

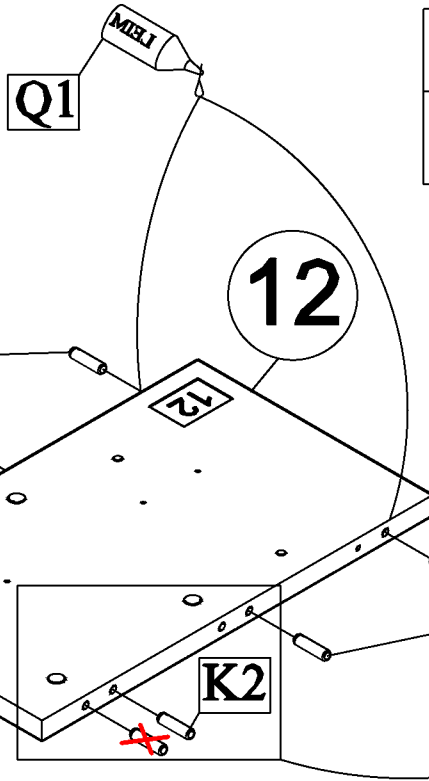
21


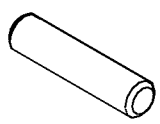


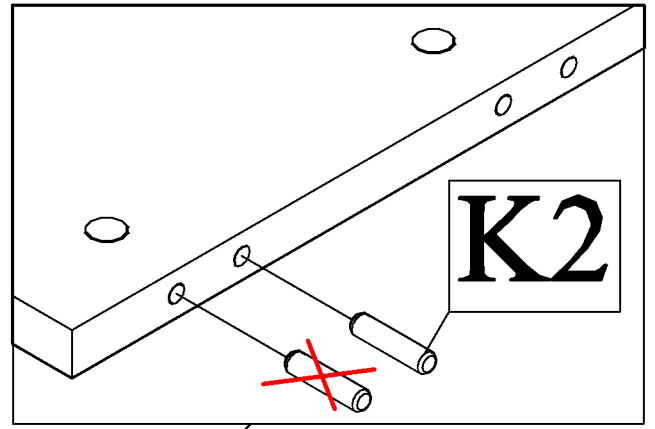




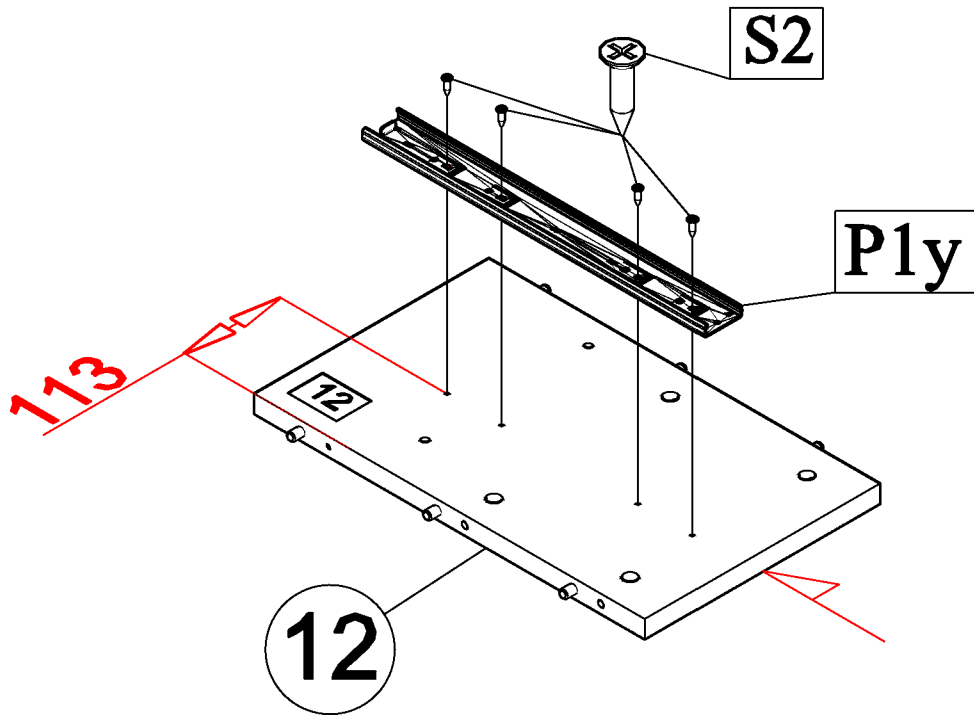
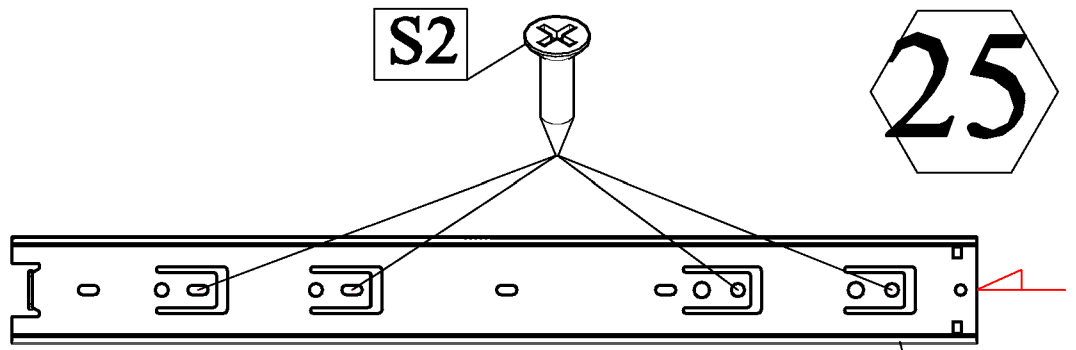
24

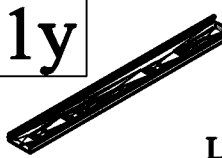
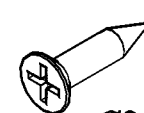


Q1	 x 1	K2	 x 6
			Ø8 x 35



25

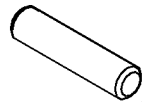


Ply	 x 1
	L=400
S2	 x 4
	Ø3,5 x 16

26

K2

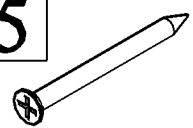
x 2



Ø8 x 35

S15

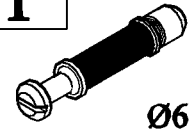
x 3



Ø4 x 55

M1

x 6



Ø6,3 / 34

S15

M1

20

4

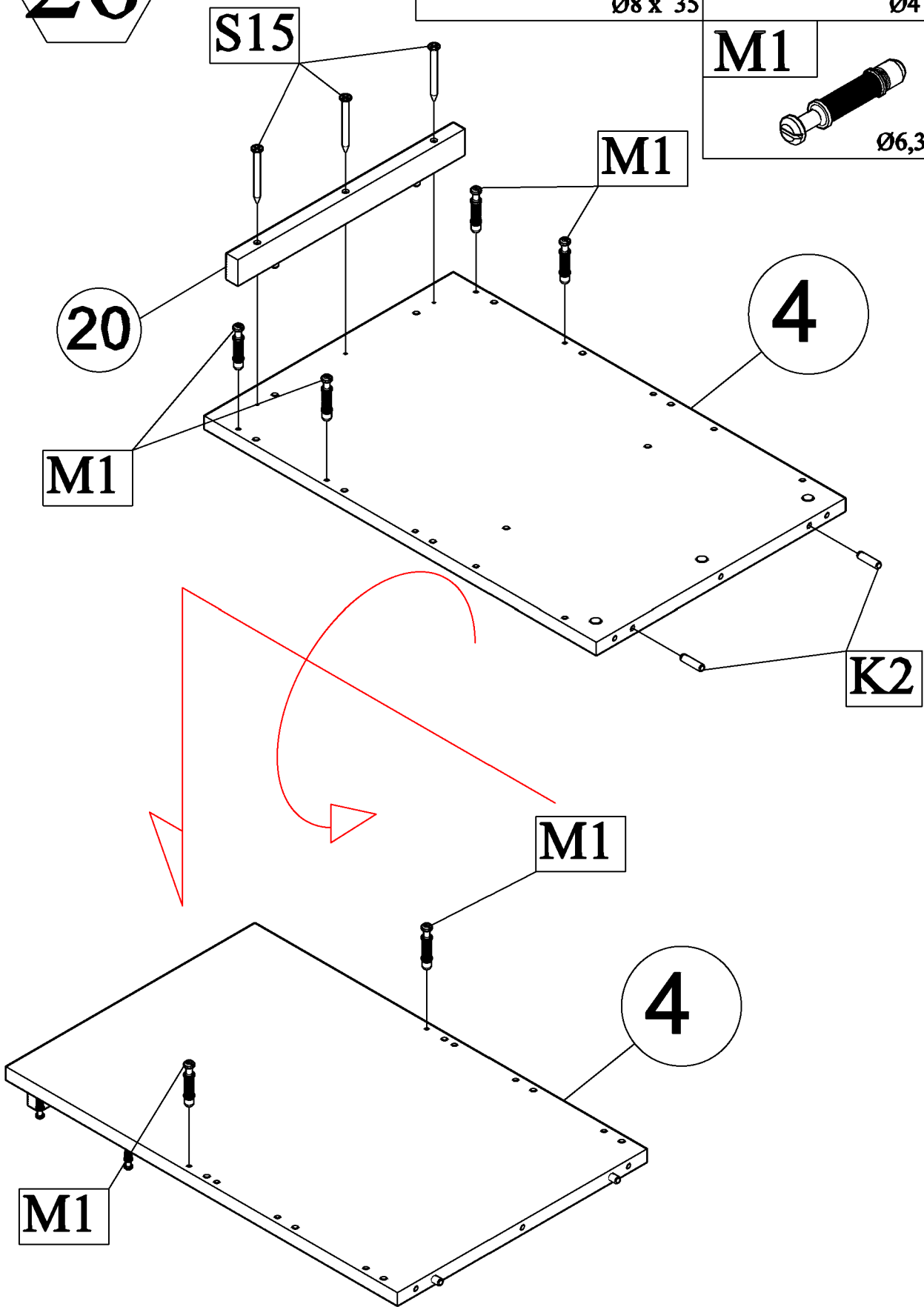
M1

K2

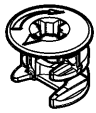
M1

4

M1

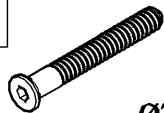


M2



x 4

C2



x 2

F2



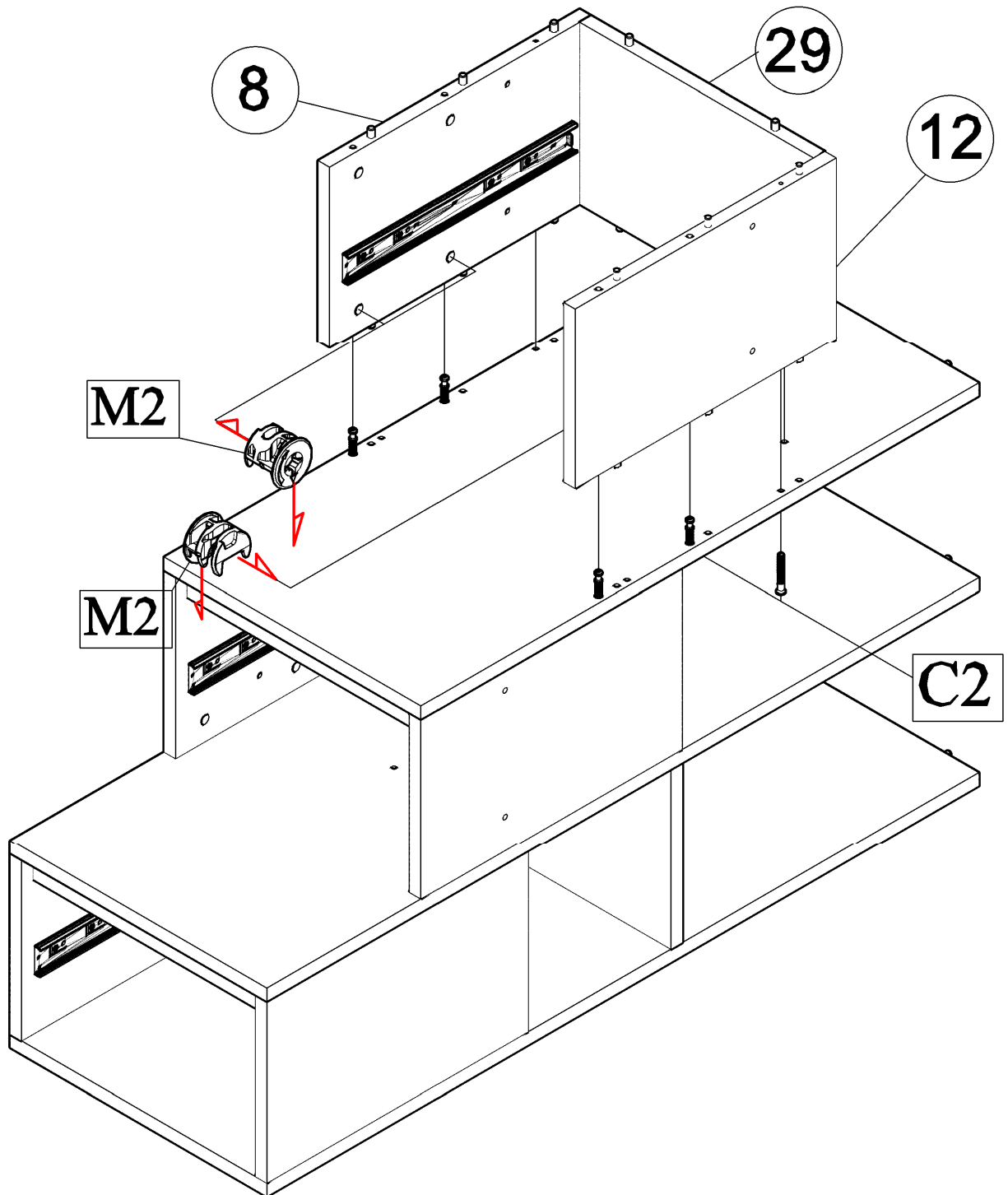
x 1

Ø15

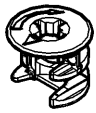
Ø7 x 50

HEX 4 mm

27

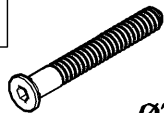


M2



x 4

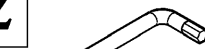
C2



x 2

Ø7 x 50

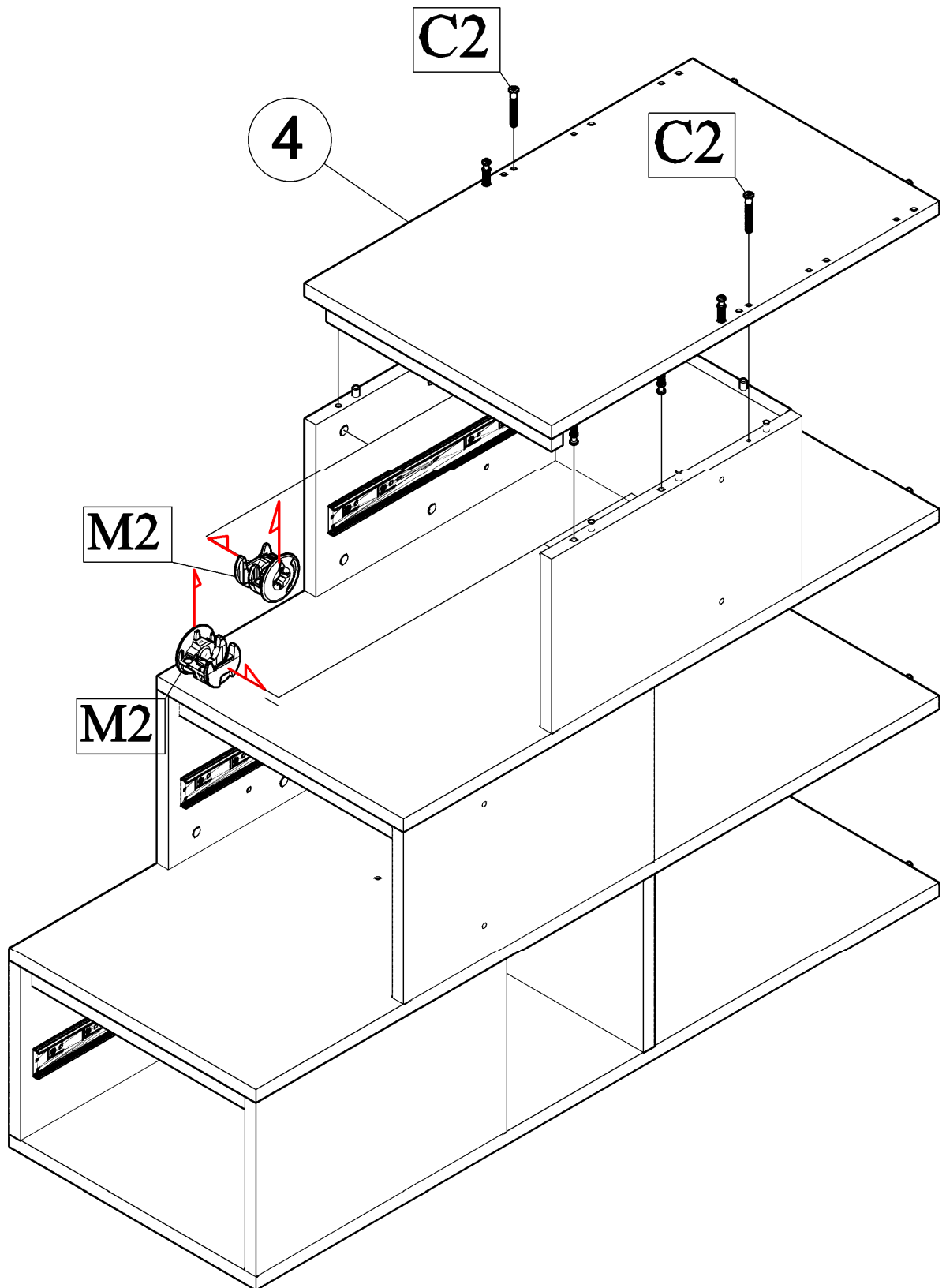
F2

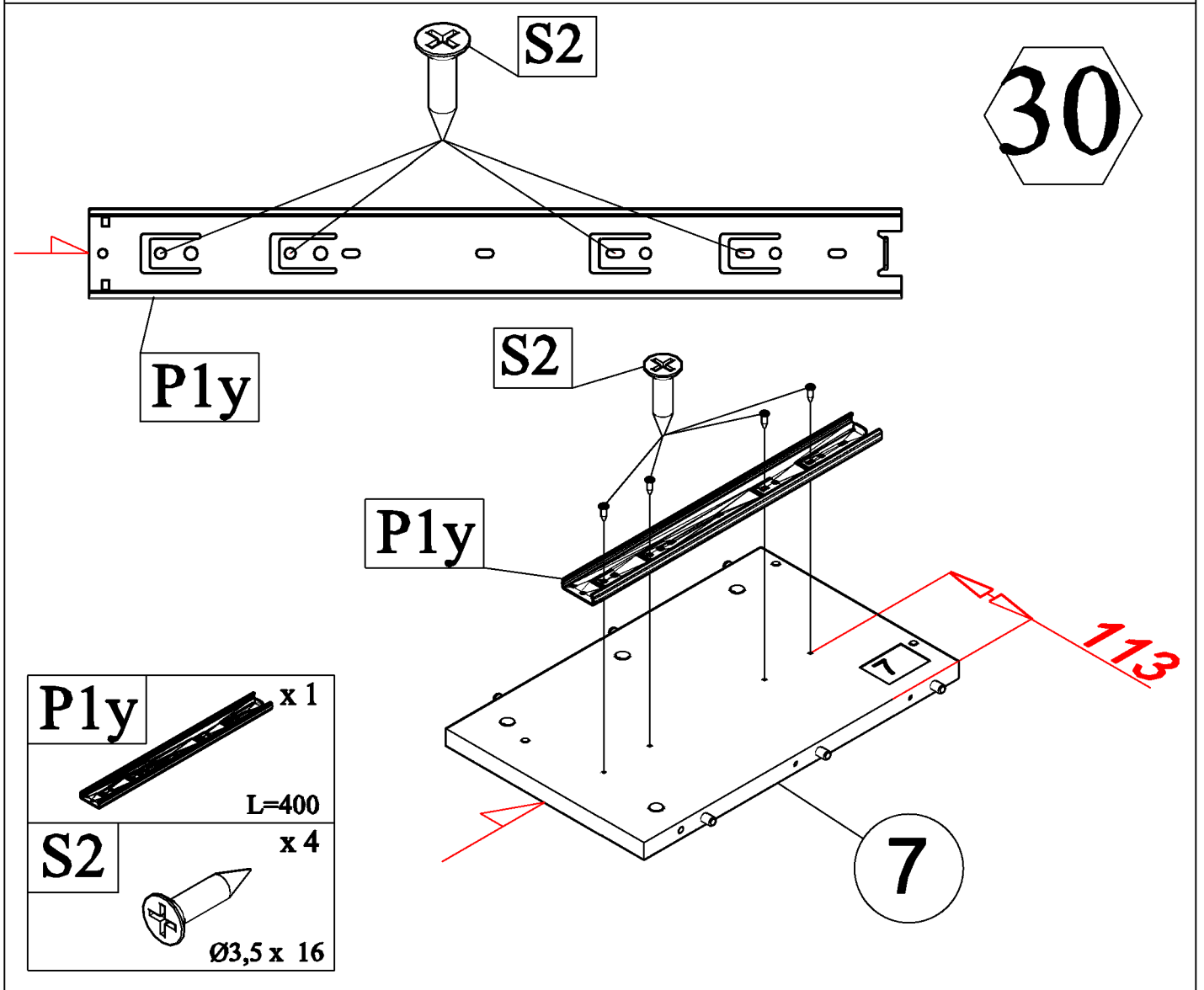
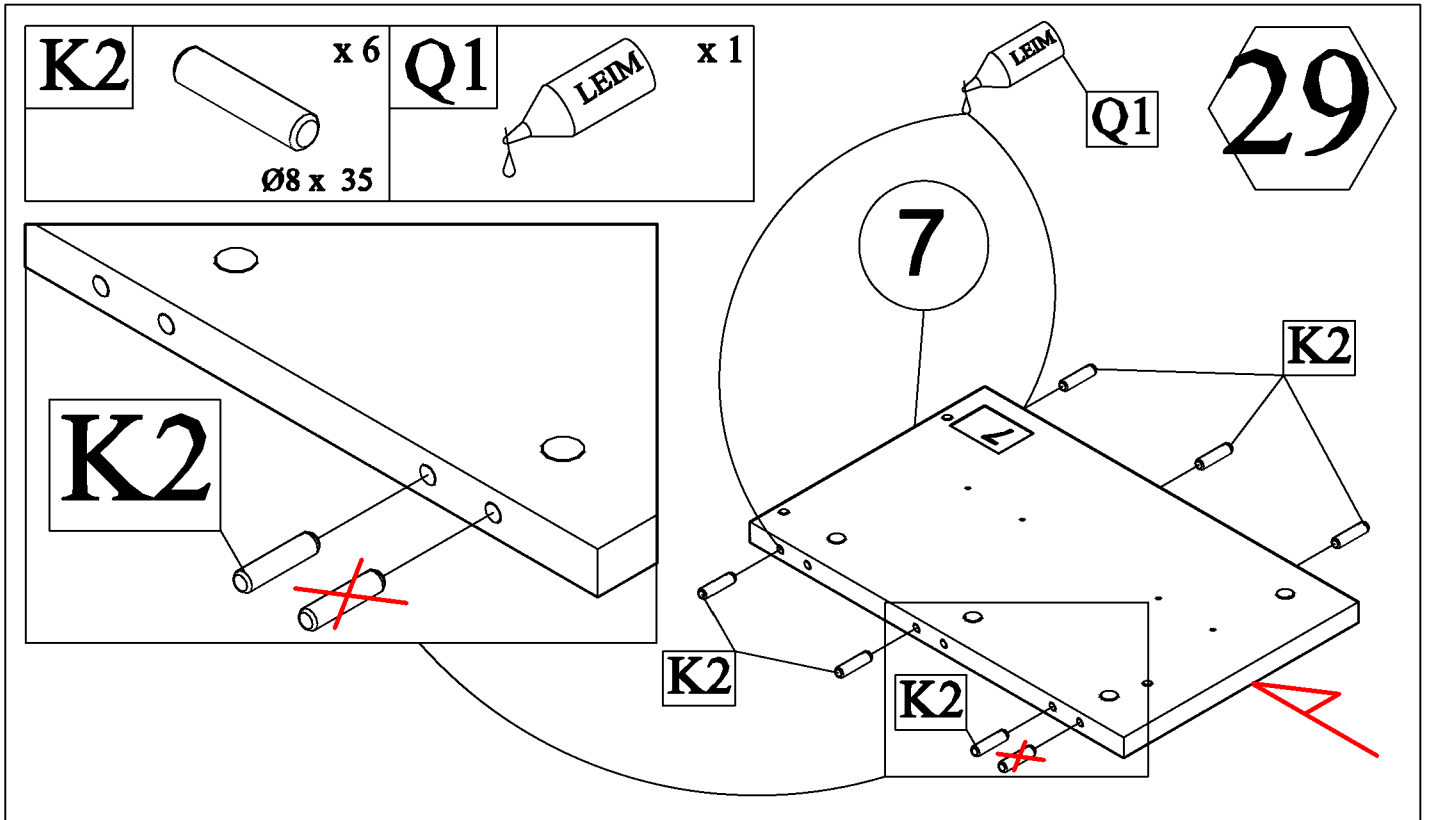


x 1

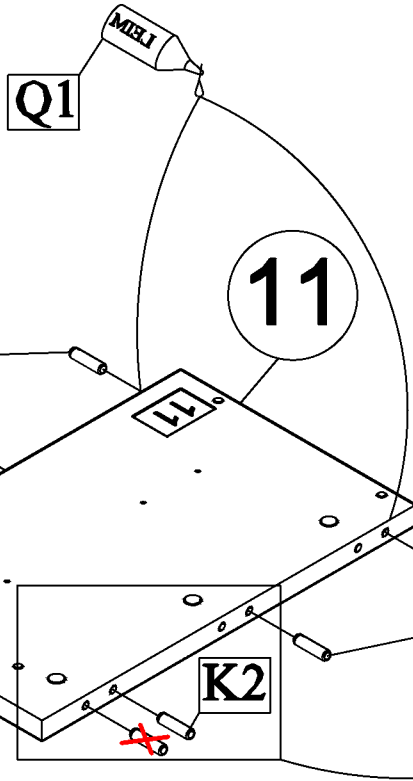
HEX 4 mm


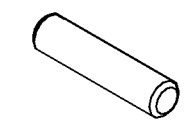
28

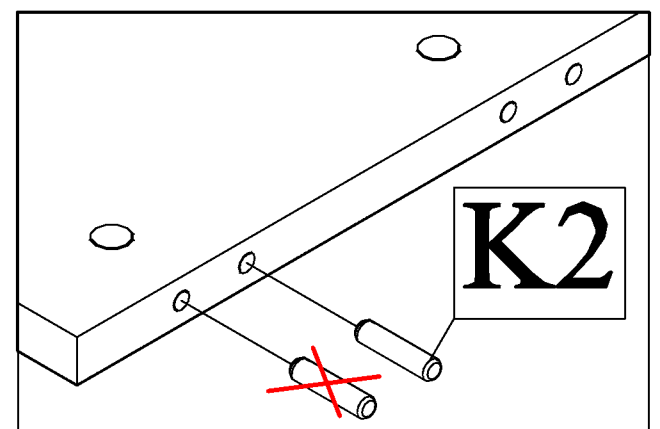




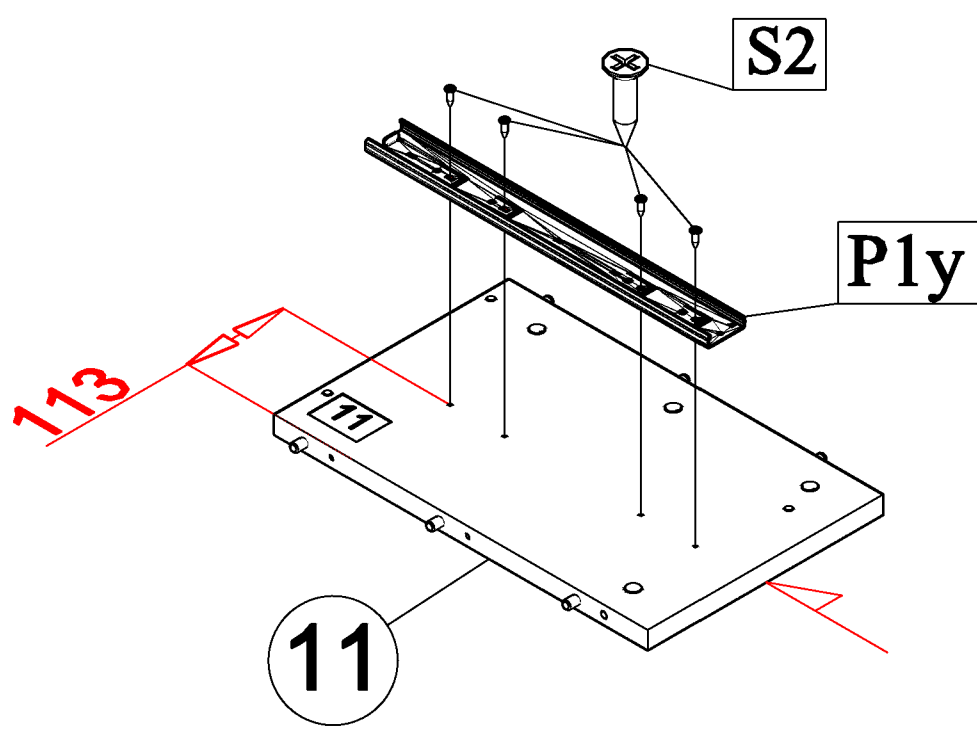
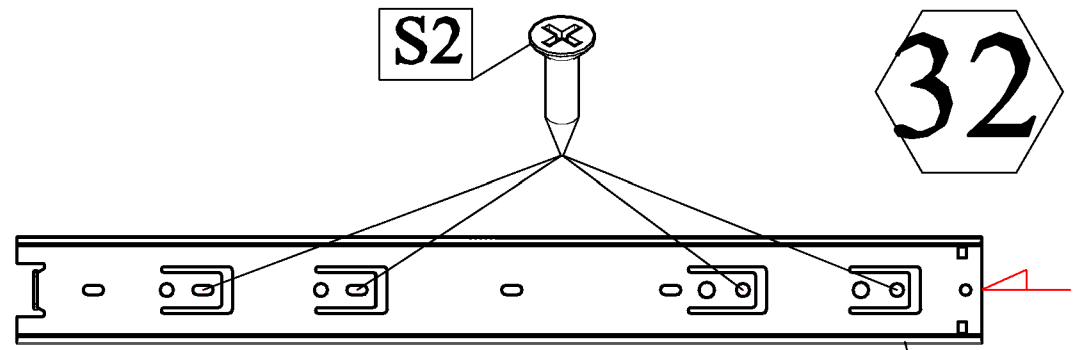
31

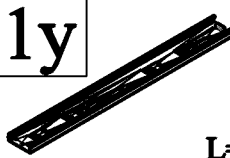
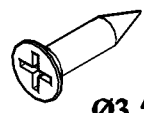


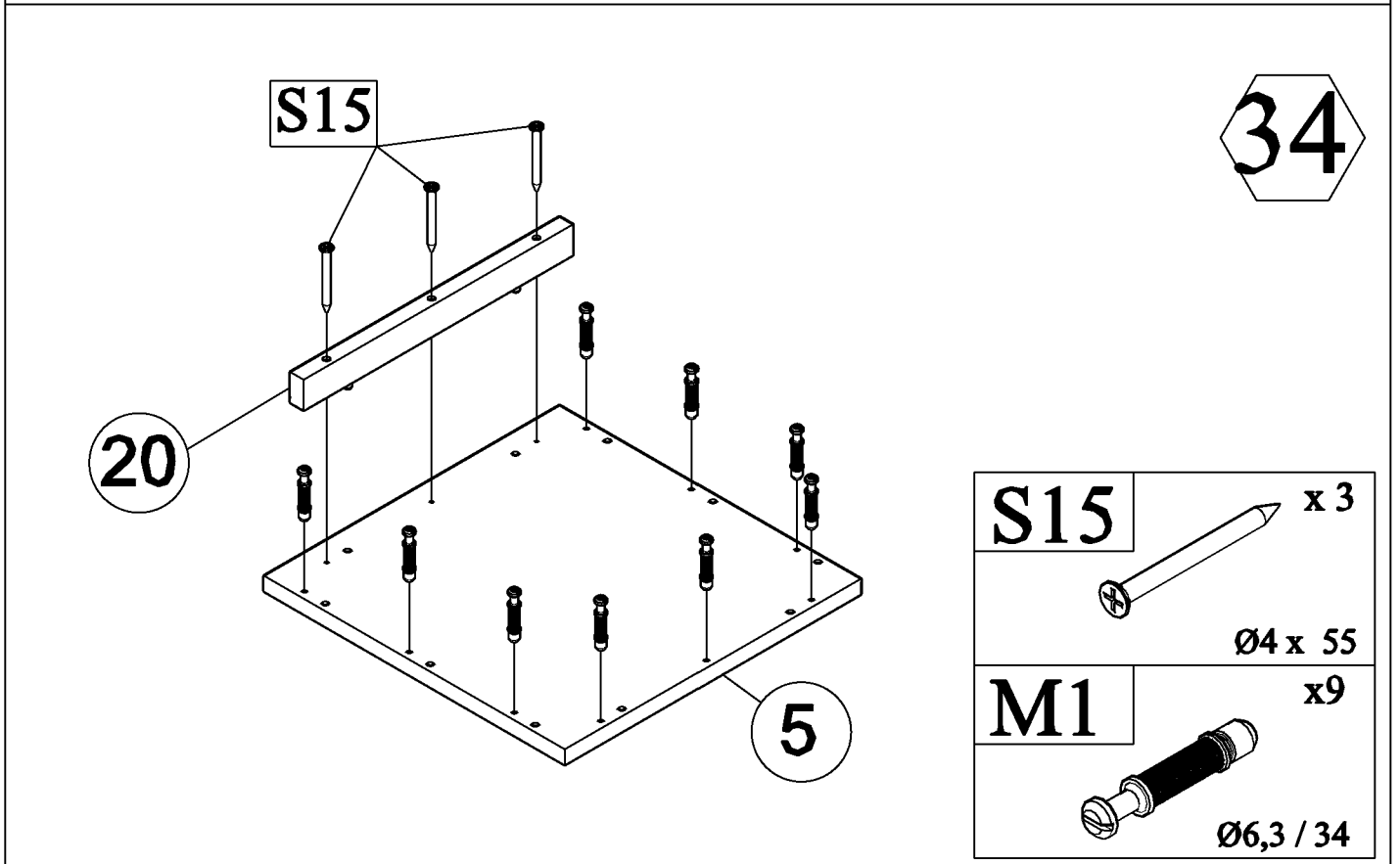
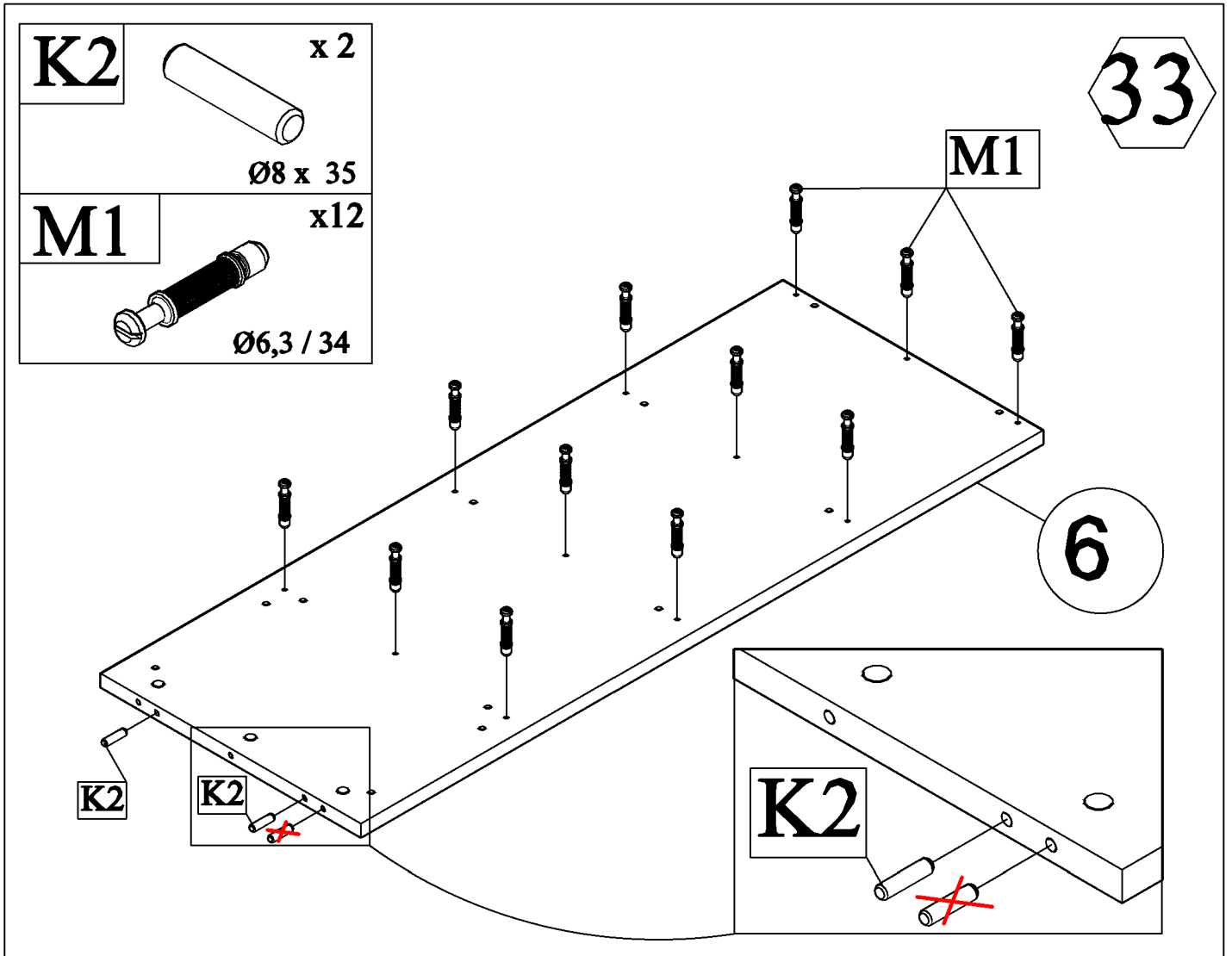
Q1		x 1	K2		x 6
				Ø8 x 35	


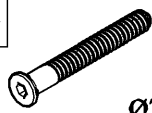



32

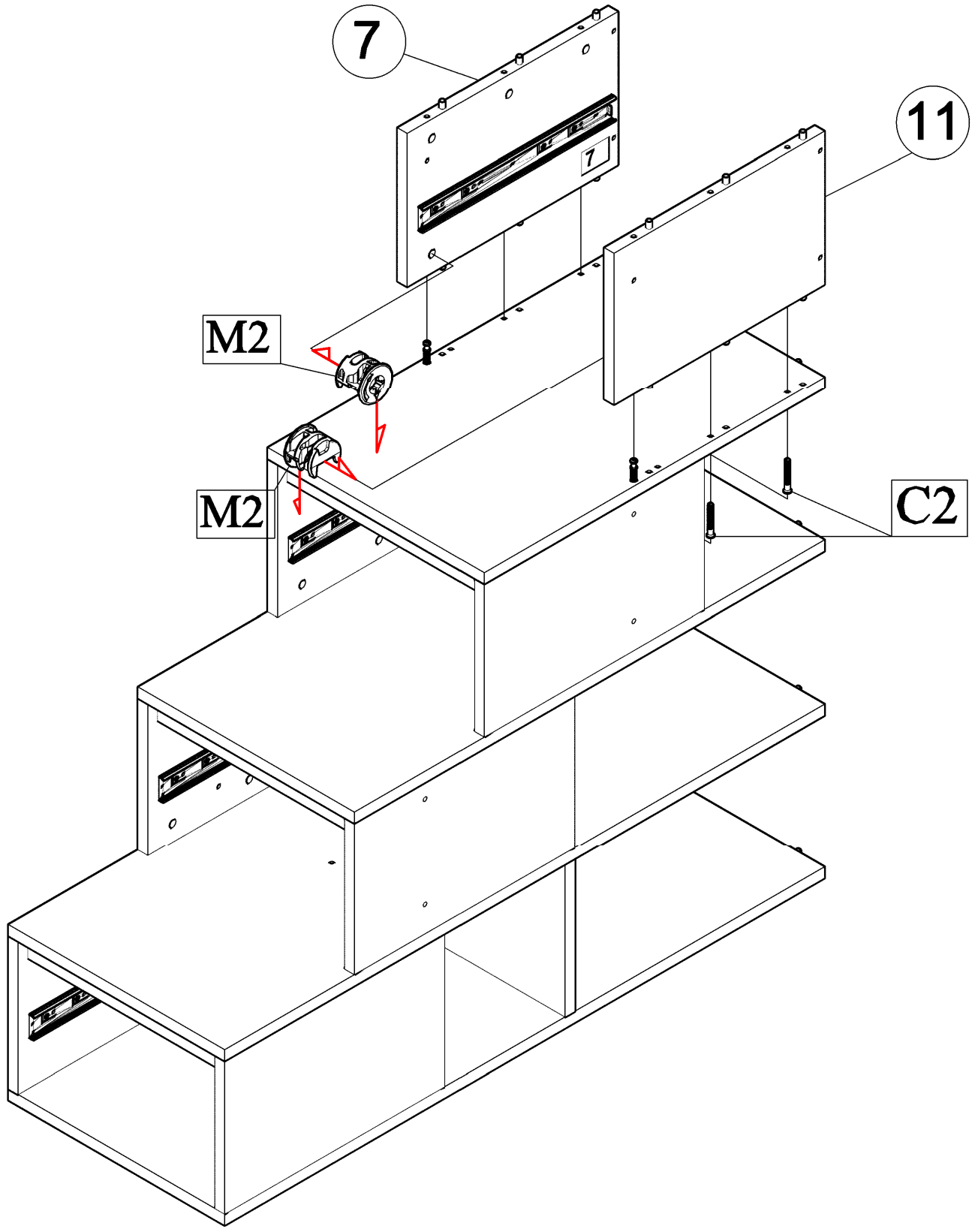


Ply		x 1
		L=400
S2		x 4
		Ø3,5 x 16



<b>M2</b>		x 2	<b>C2</b>		x 4	<b>F2</b>		x 1
	$\varnothing 15$			$\varnothing 7 \times 50$			HEX 4 mm	

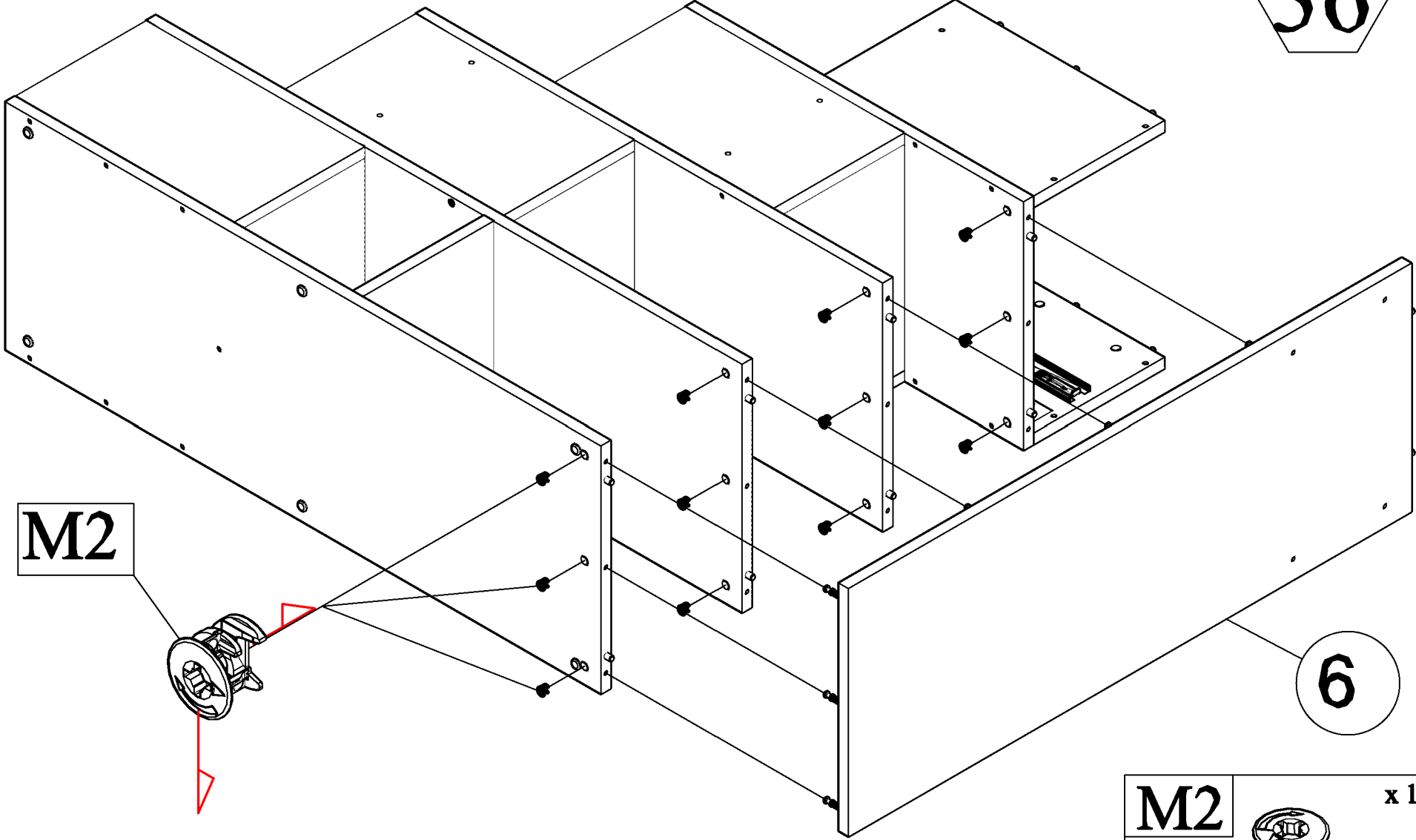
35

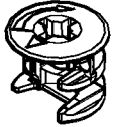




36

27/44



M2		x 12
		Ø15

M2



x 9

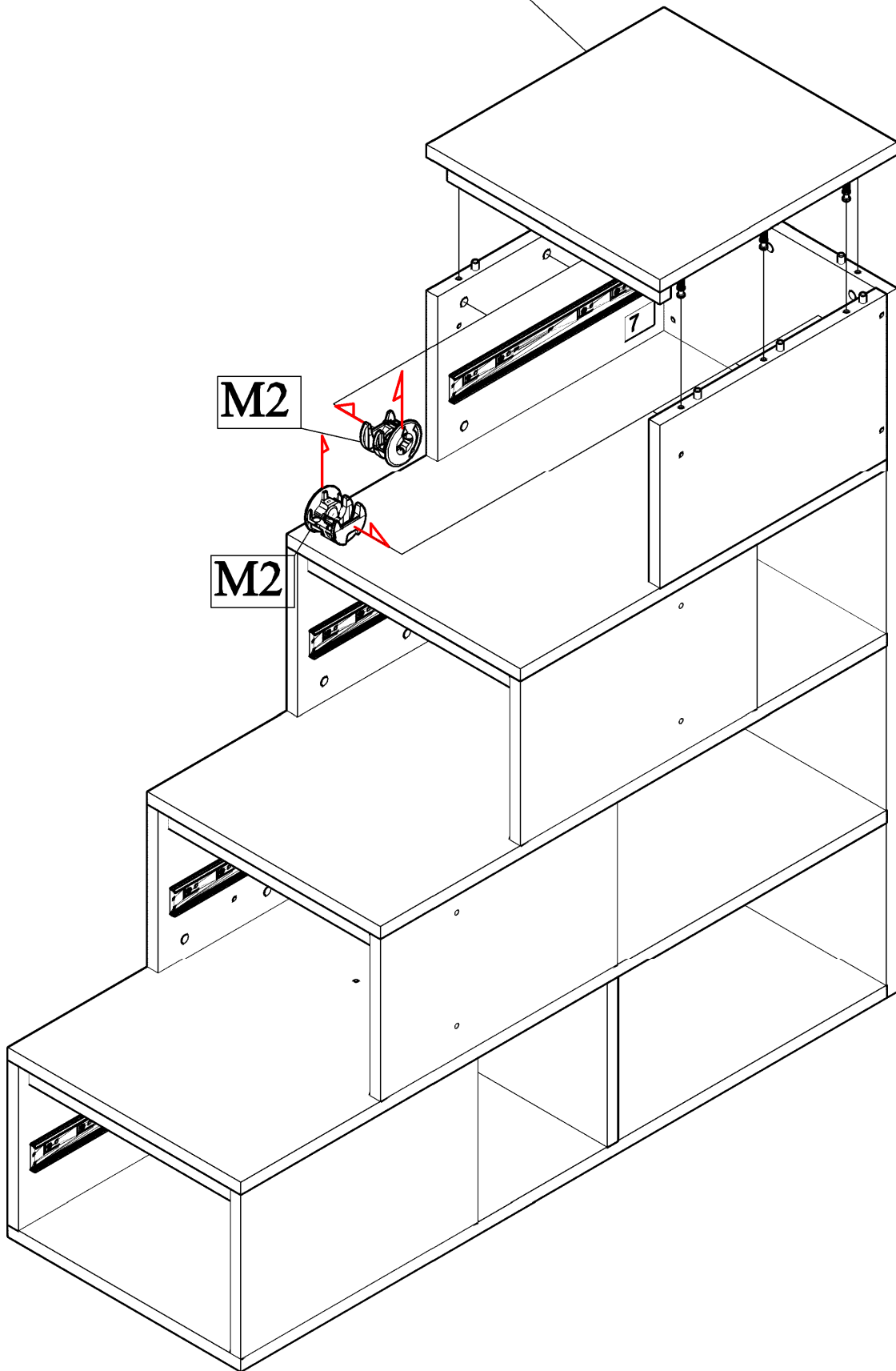
Ø15

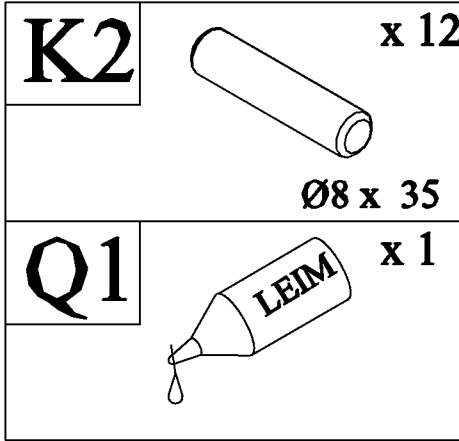
37

5

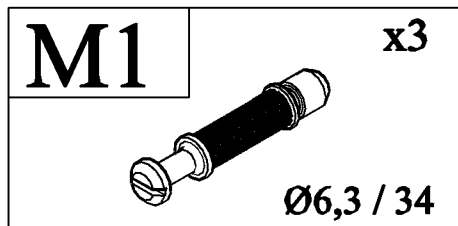
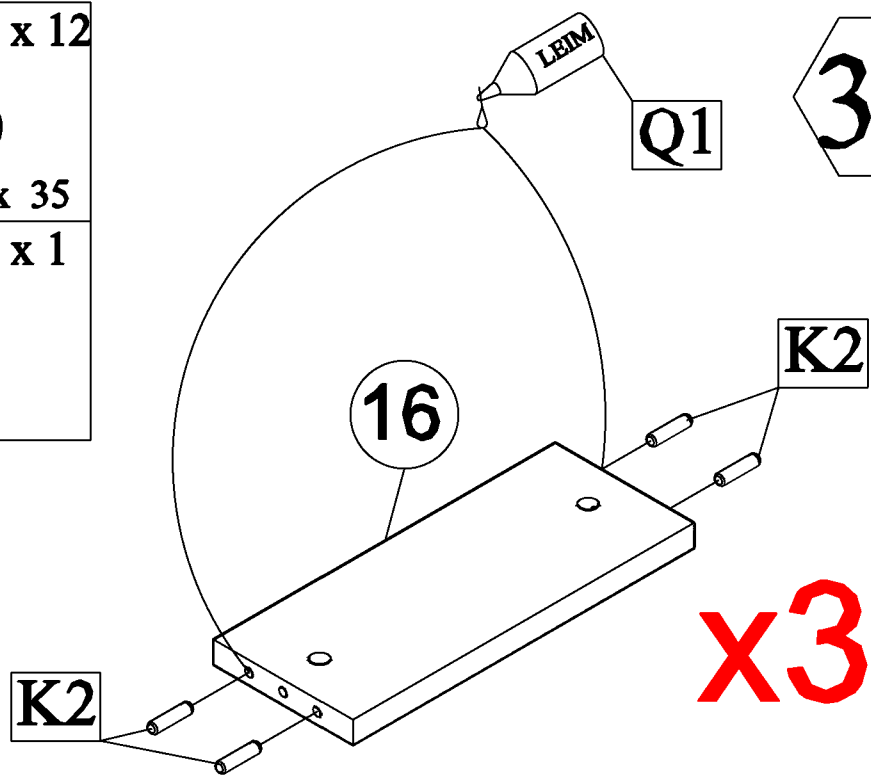
M2

M2

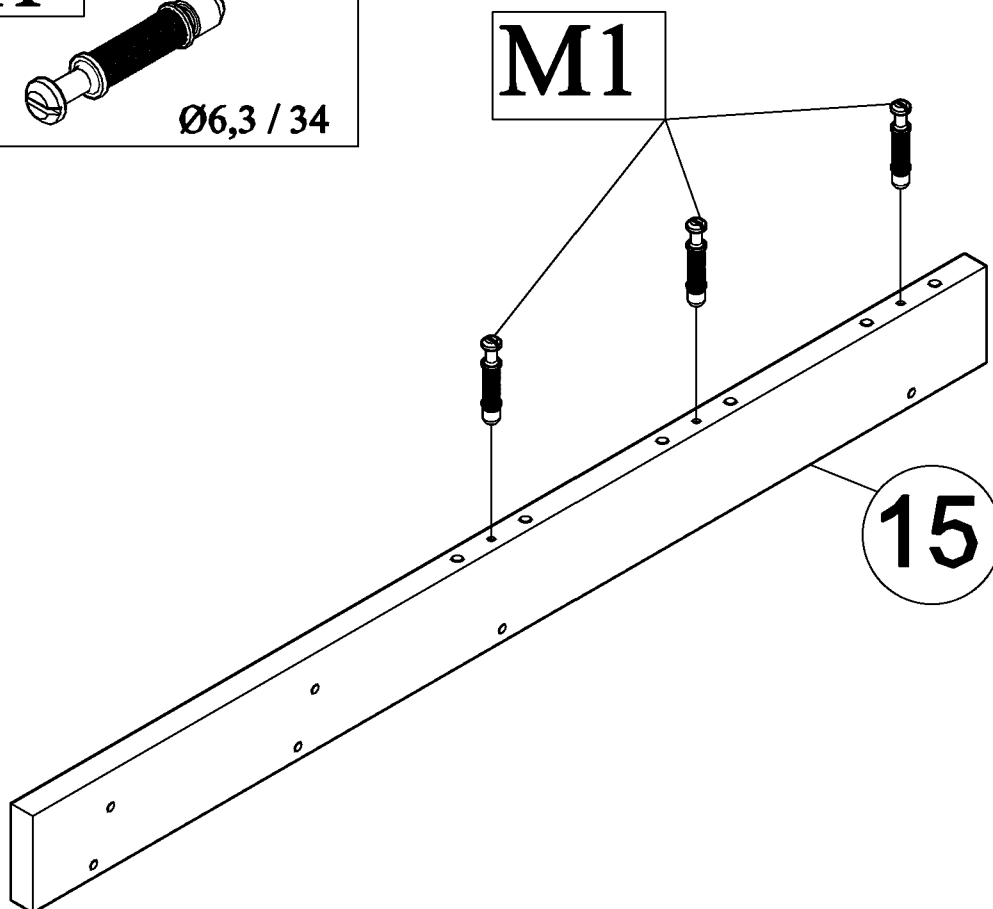


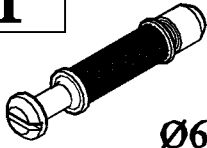


38

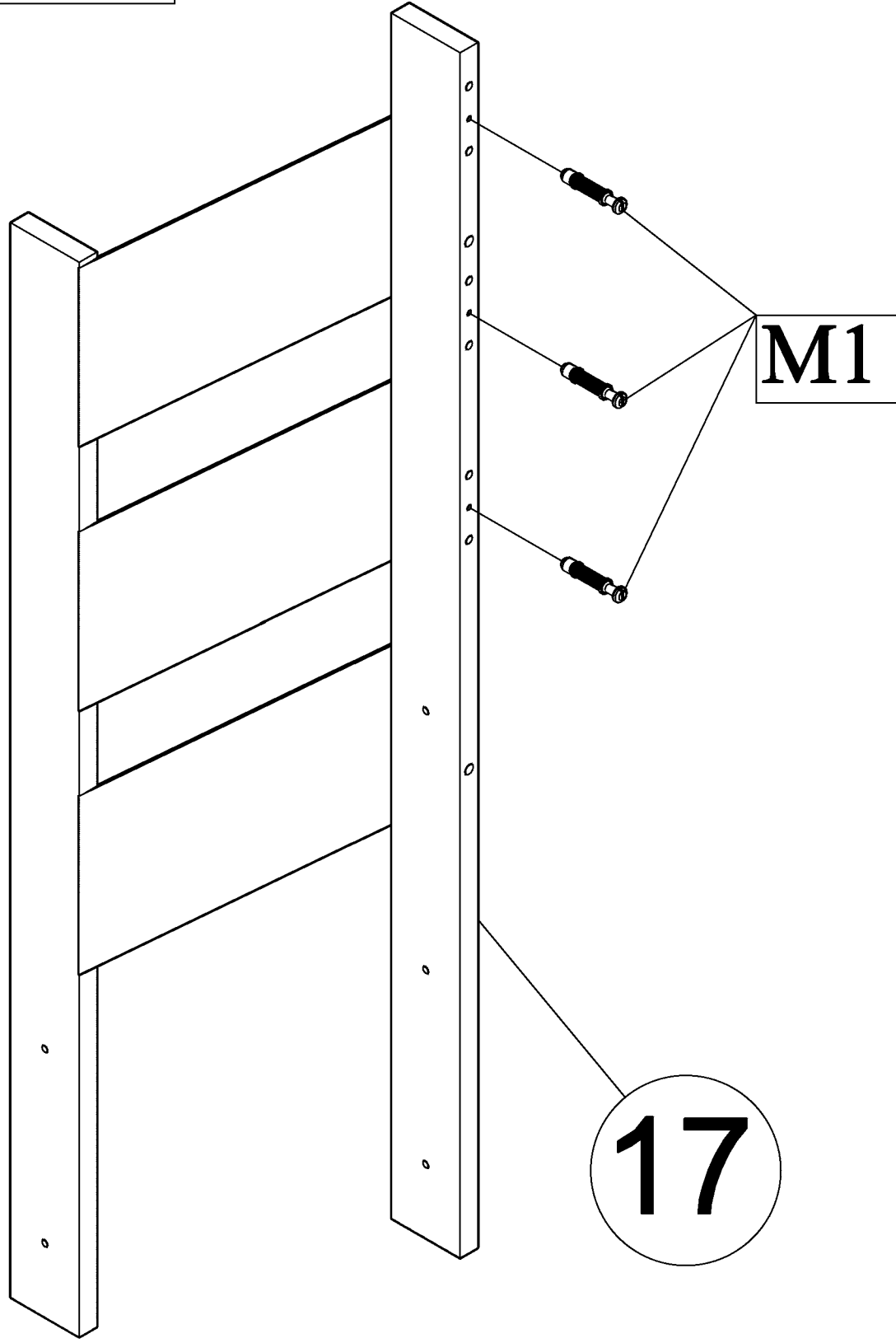


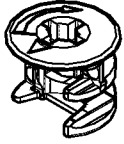
39



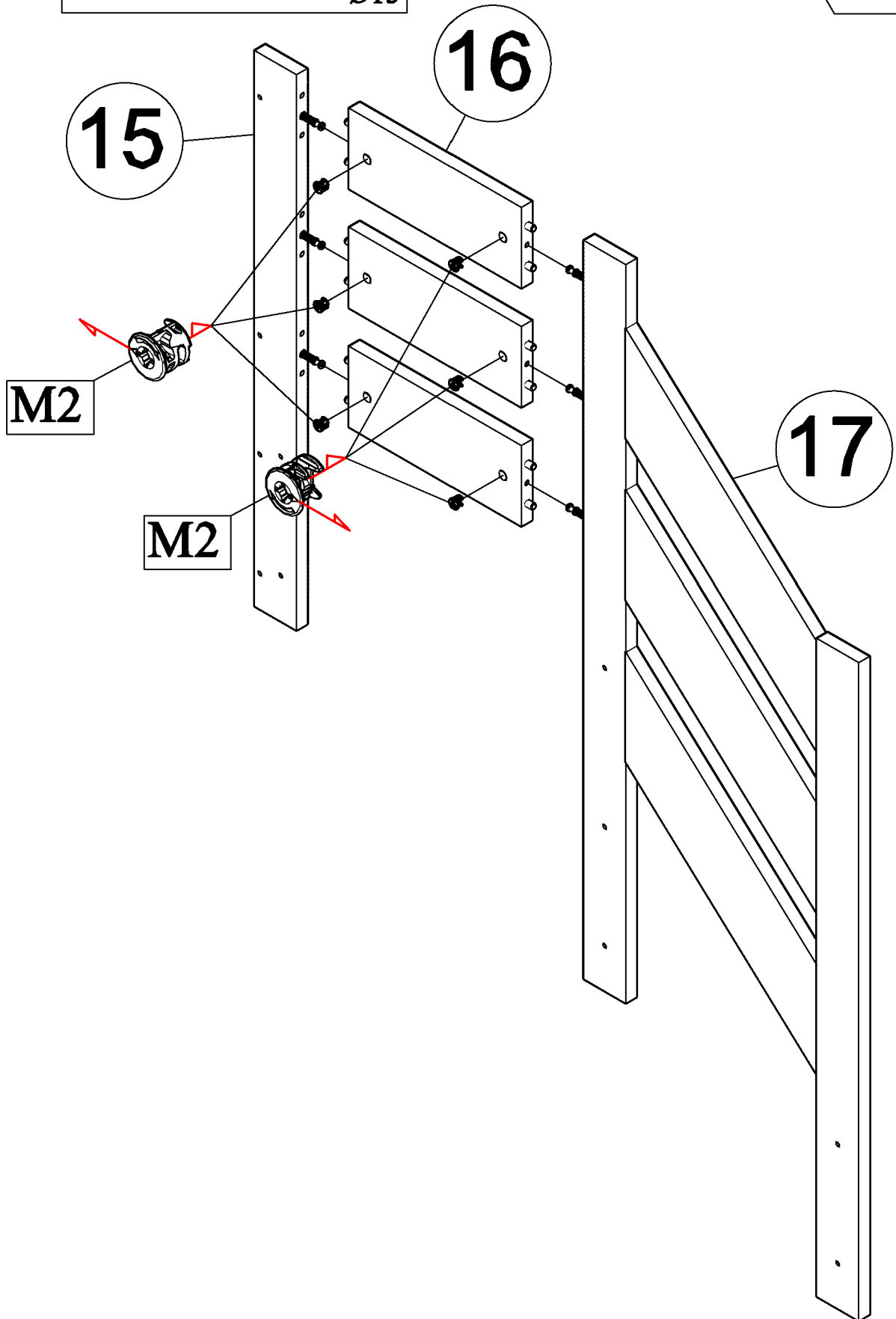
**M1** **x3**  
  
**Ø6,3 / 34**

**40**



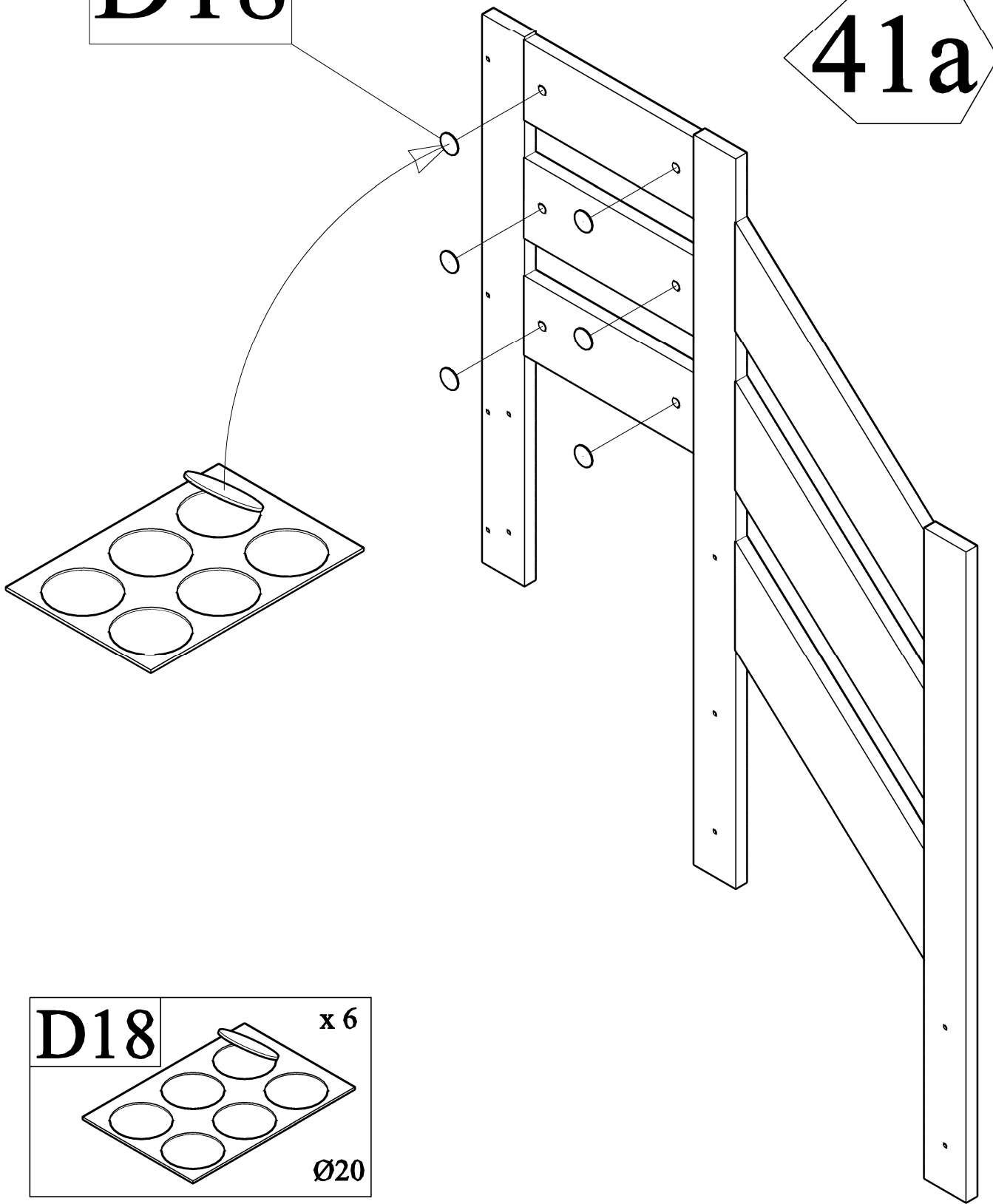
<b>M2</b>		x 6
		Ø15

**41**



**D18**

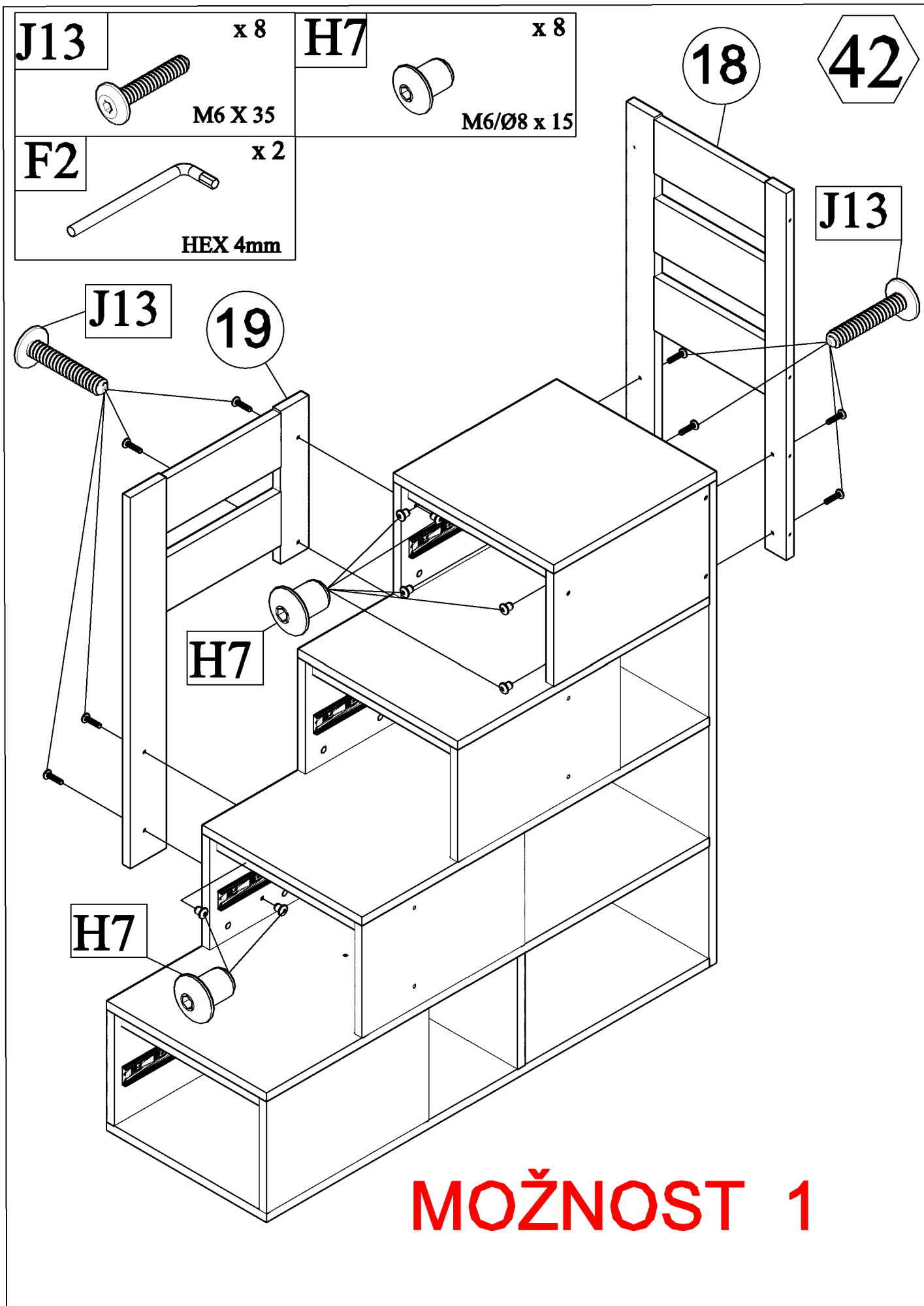
**41a**

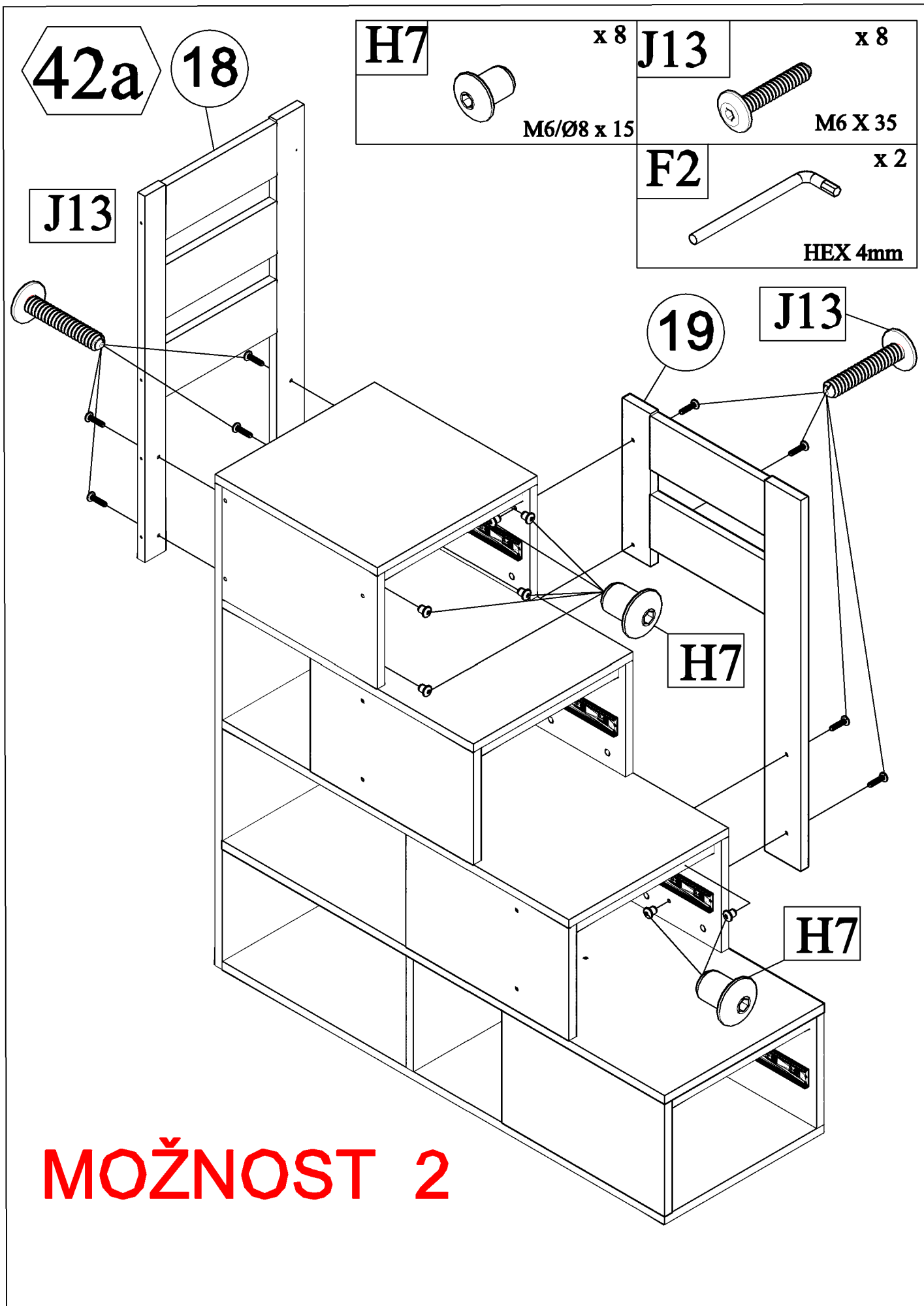


**D18**

x 6

Ø20

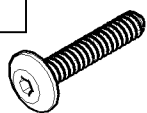






**J13**

x 7



M6 X 35

**H7**

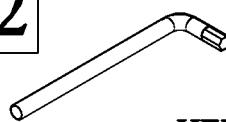
x 7



M6/Ø8 x 15

**F2**

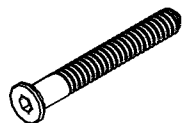
x 2



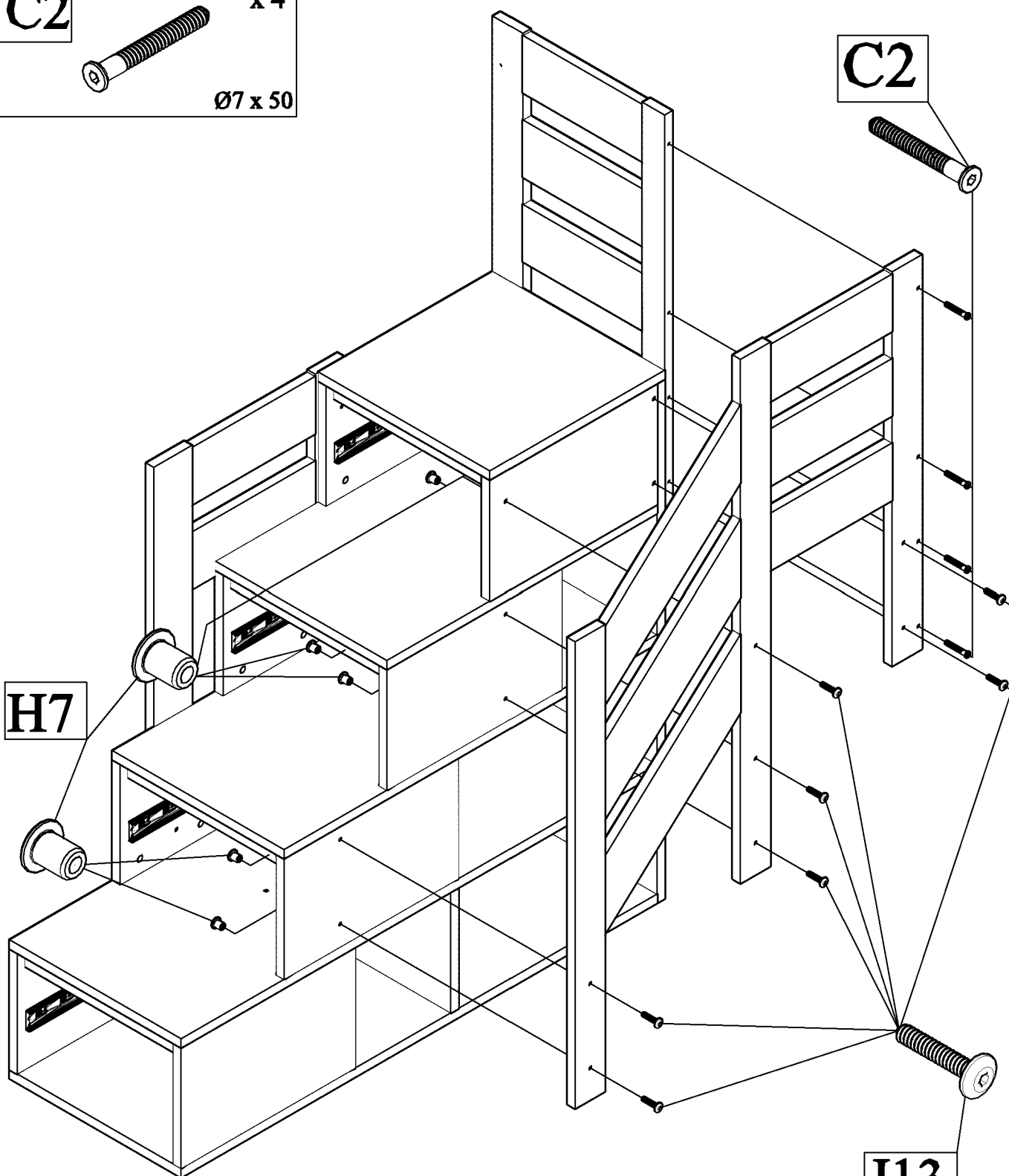
HEX 4mm

**43****C2**

x 4



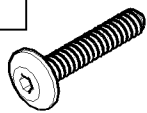
Ø7 x 50

**C2****H7****J13****MOŽNOST 1**

43a

J13

x 7



M6 X 35

x 4

H7

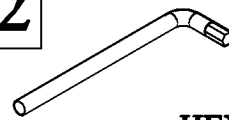
x 7



M6/Ø8 x 15

F2

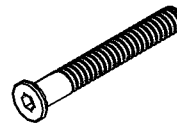
x 2



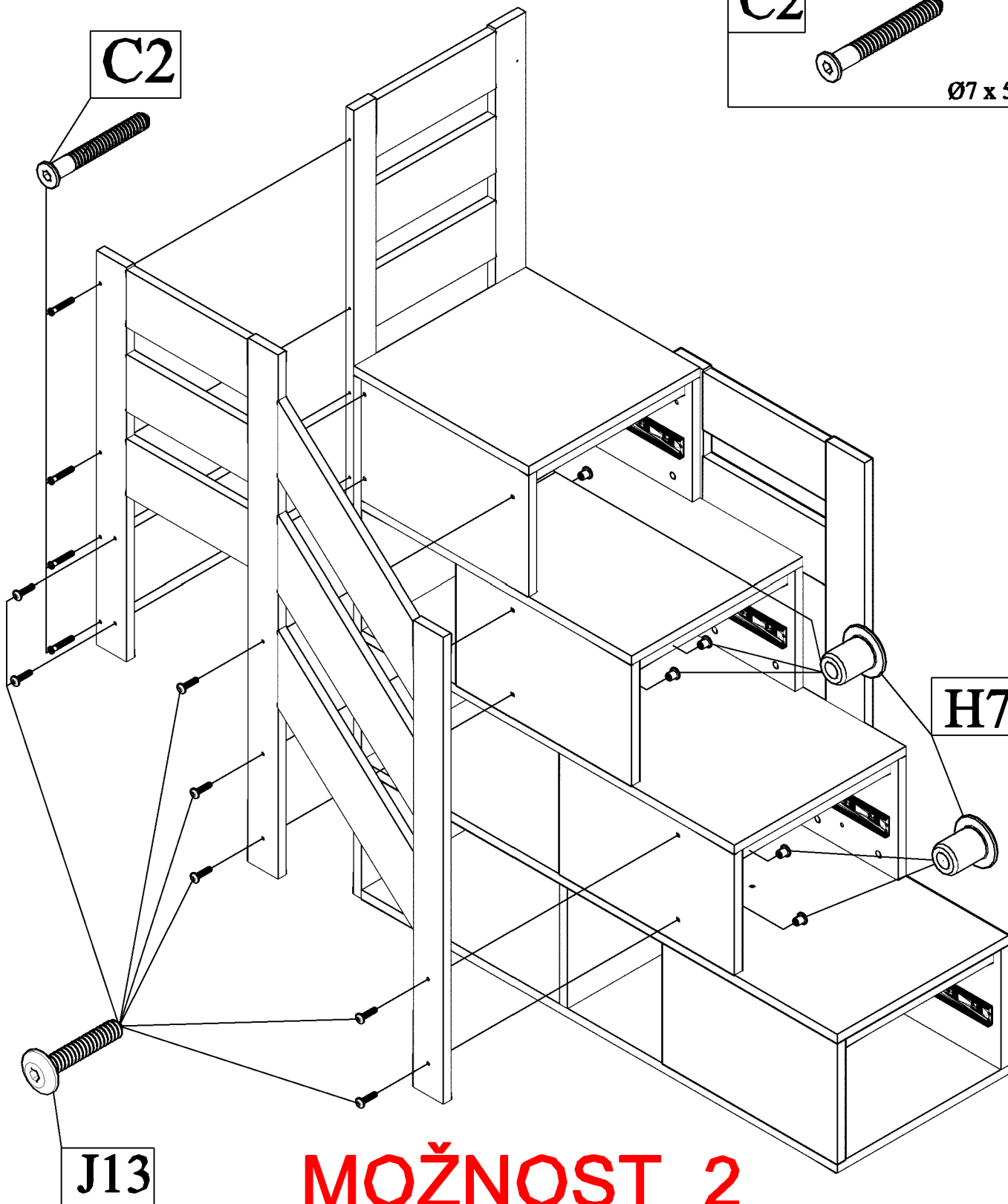
HEX 4mm

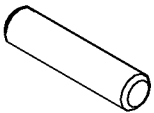
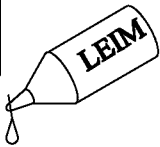
C2

x 4

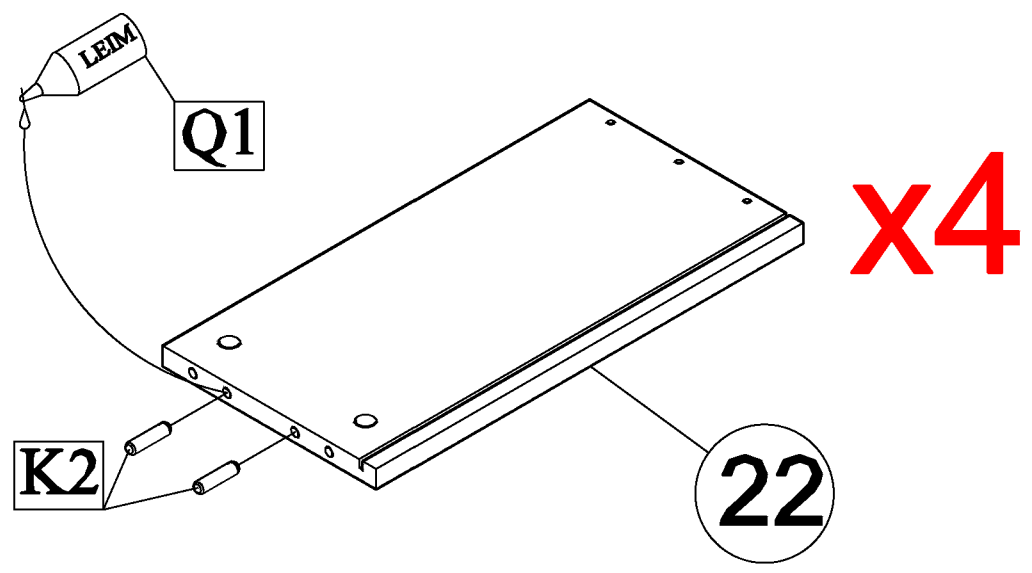


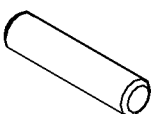
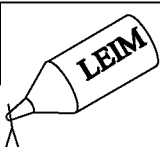
Ø7 x 50



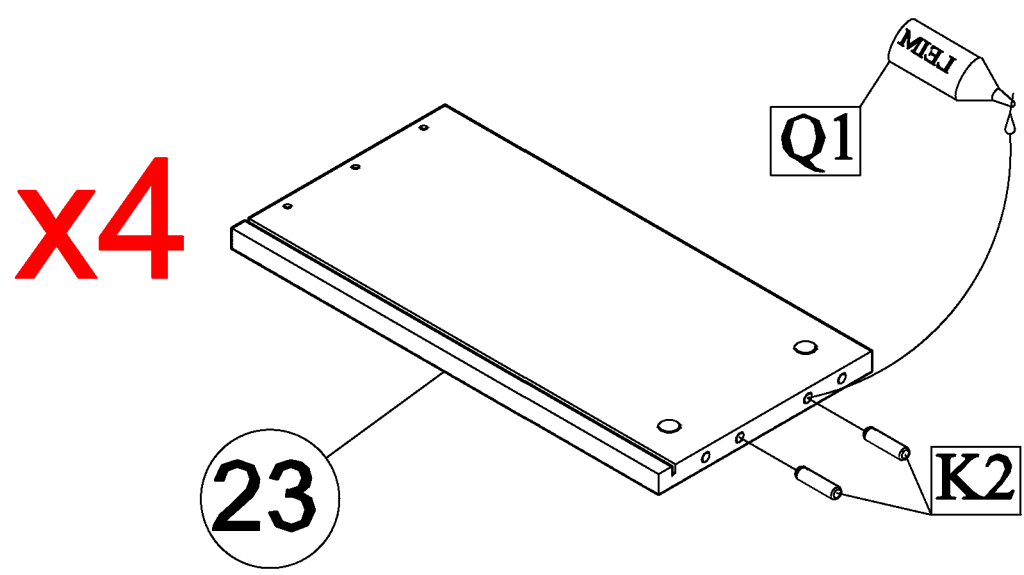
<b>K2</b>	 x 8	<b>Q1</b>	 x 1
	Ø8 x 35		

44



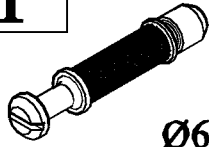
<b>K2</b>	 x 8	<b>Q1</b>	 x 1
	Ø8 x 35		

45



M1

x16



Ø6,3 / 34

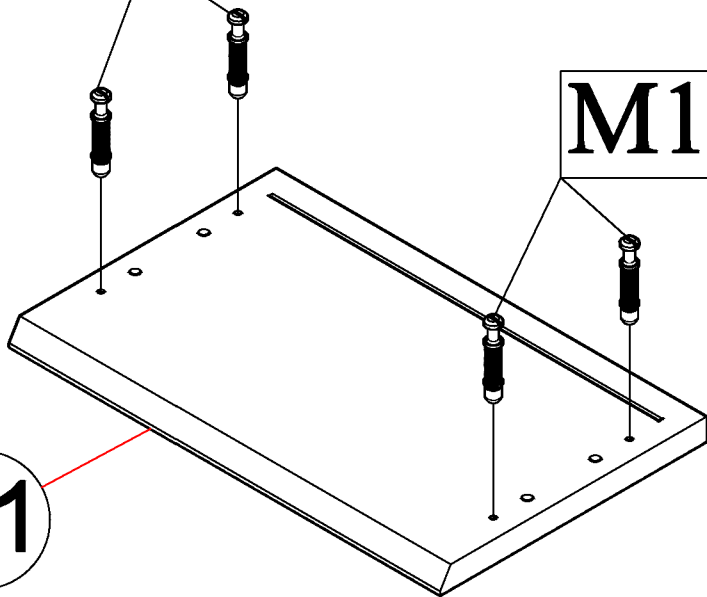
46

M1

M1

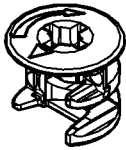
x4

21



M2

x16



Ø15

47

22

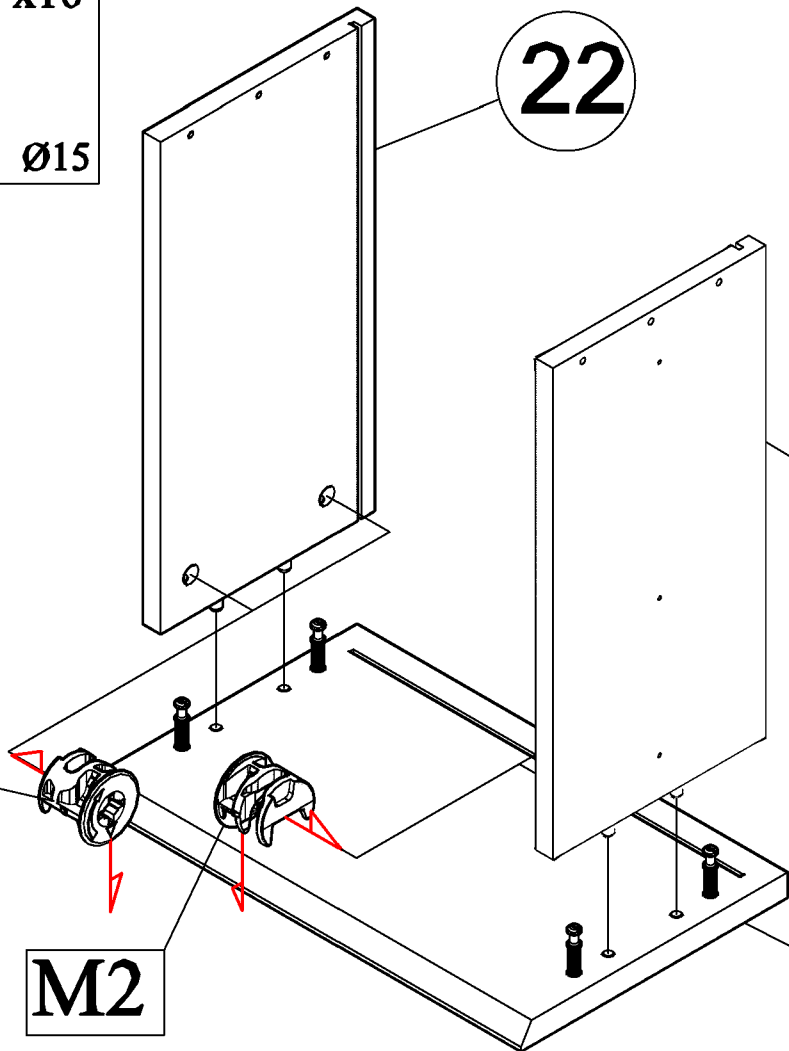
23

x4

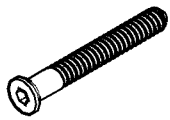
M2


M2

21

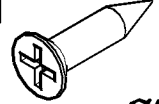


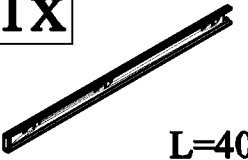
38/44

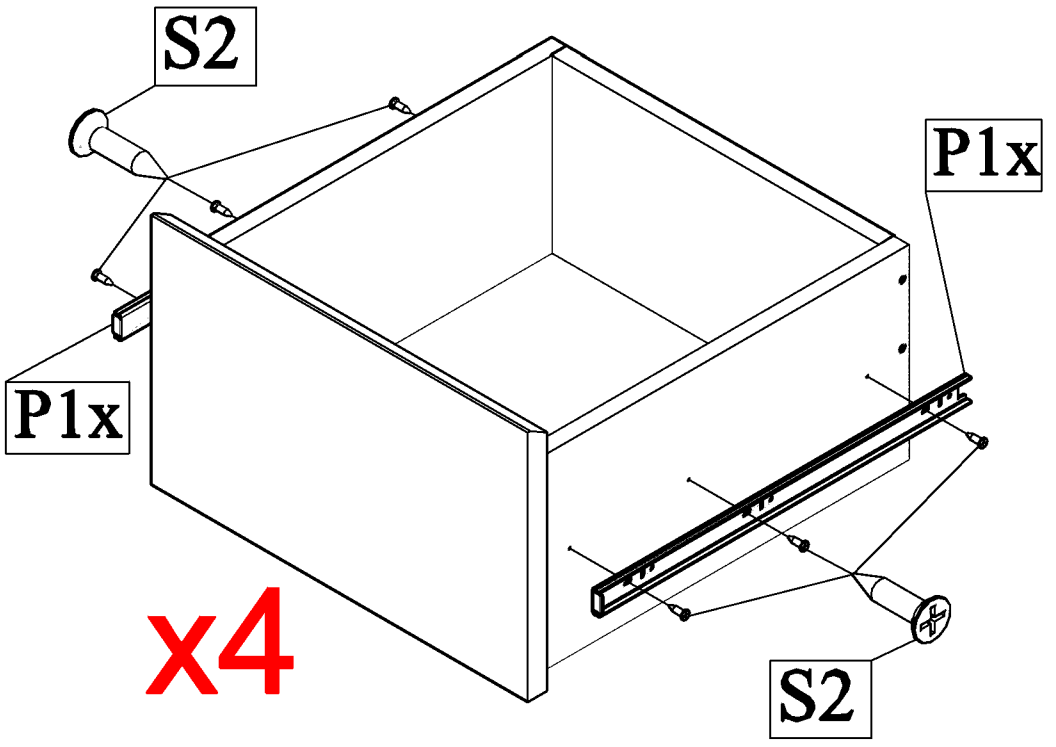
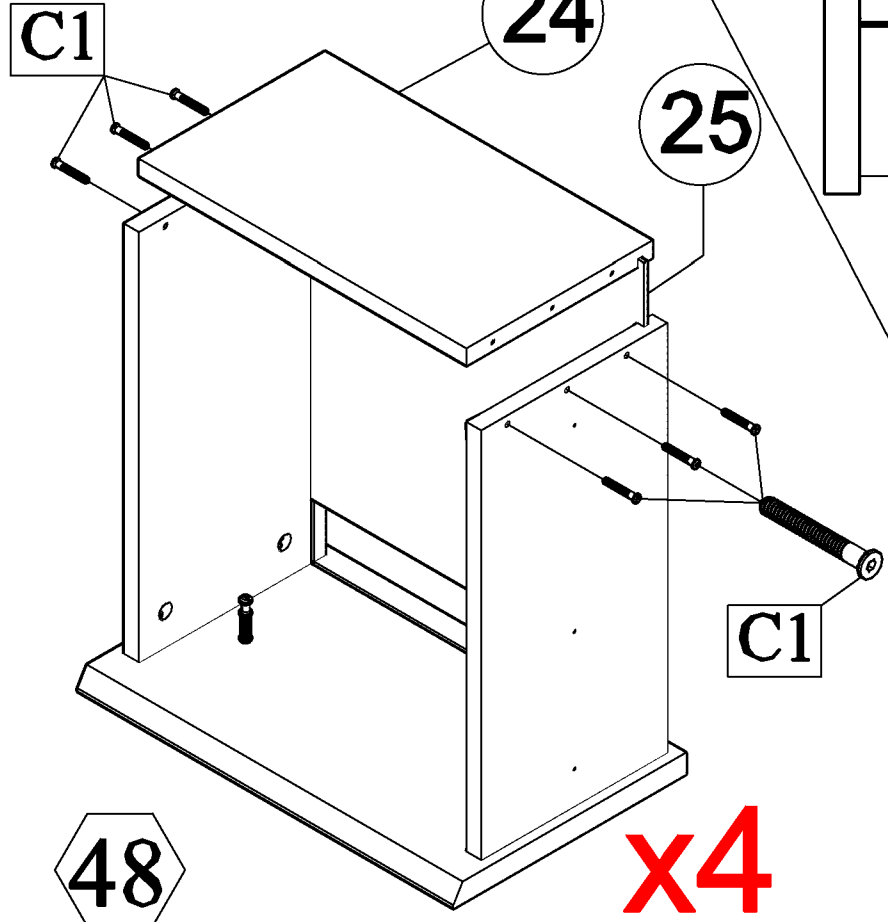
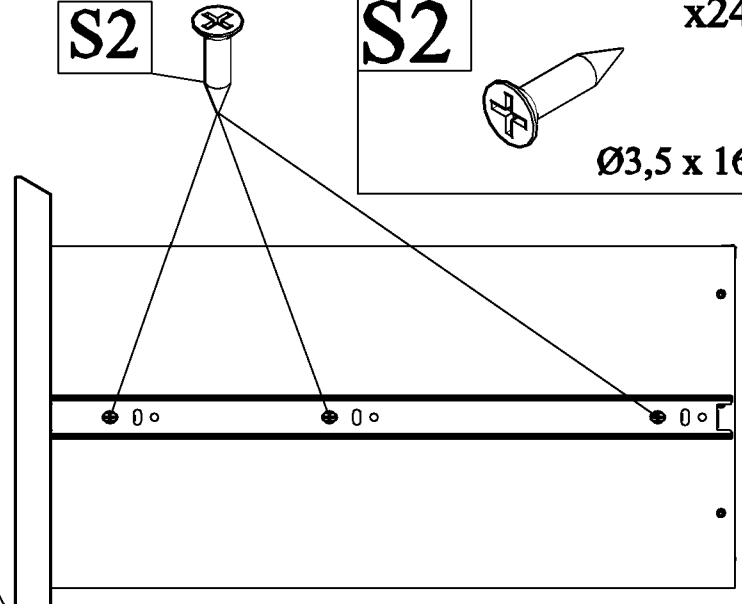
**C1** x24  
  
 Ø5 x 40

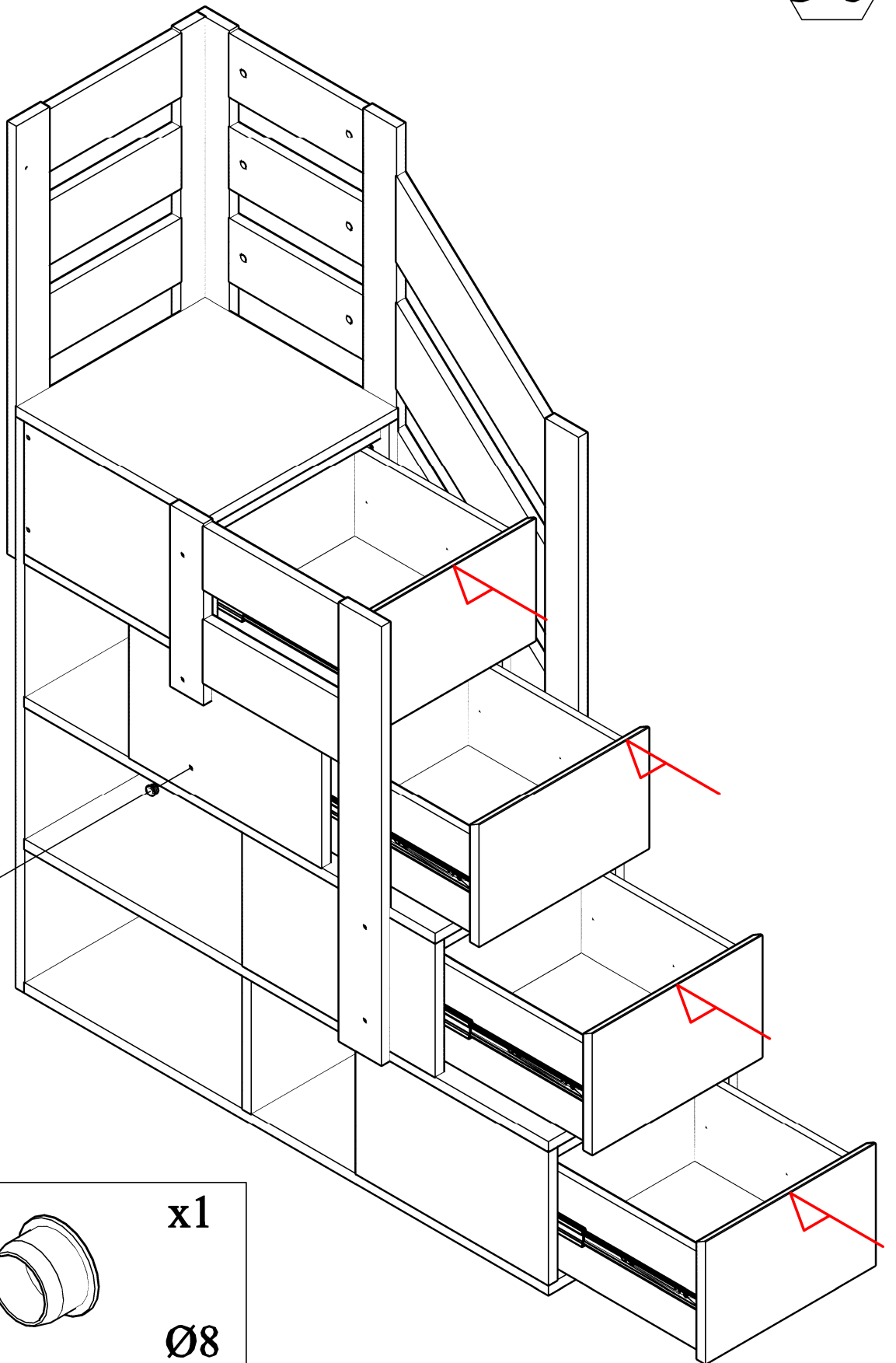
**F1** x1  
  
 HEX 3mm

49

**S2** x24  
  
 Ø3,5 x 16

**P1x** x8  
  
 L=400 mm

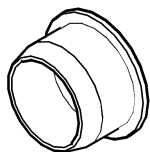




D2



D2



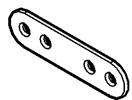
x1

Ø8

51

B2

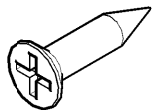
x2



60 x 15

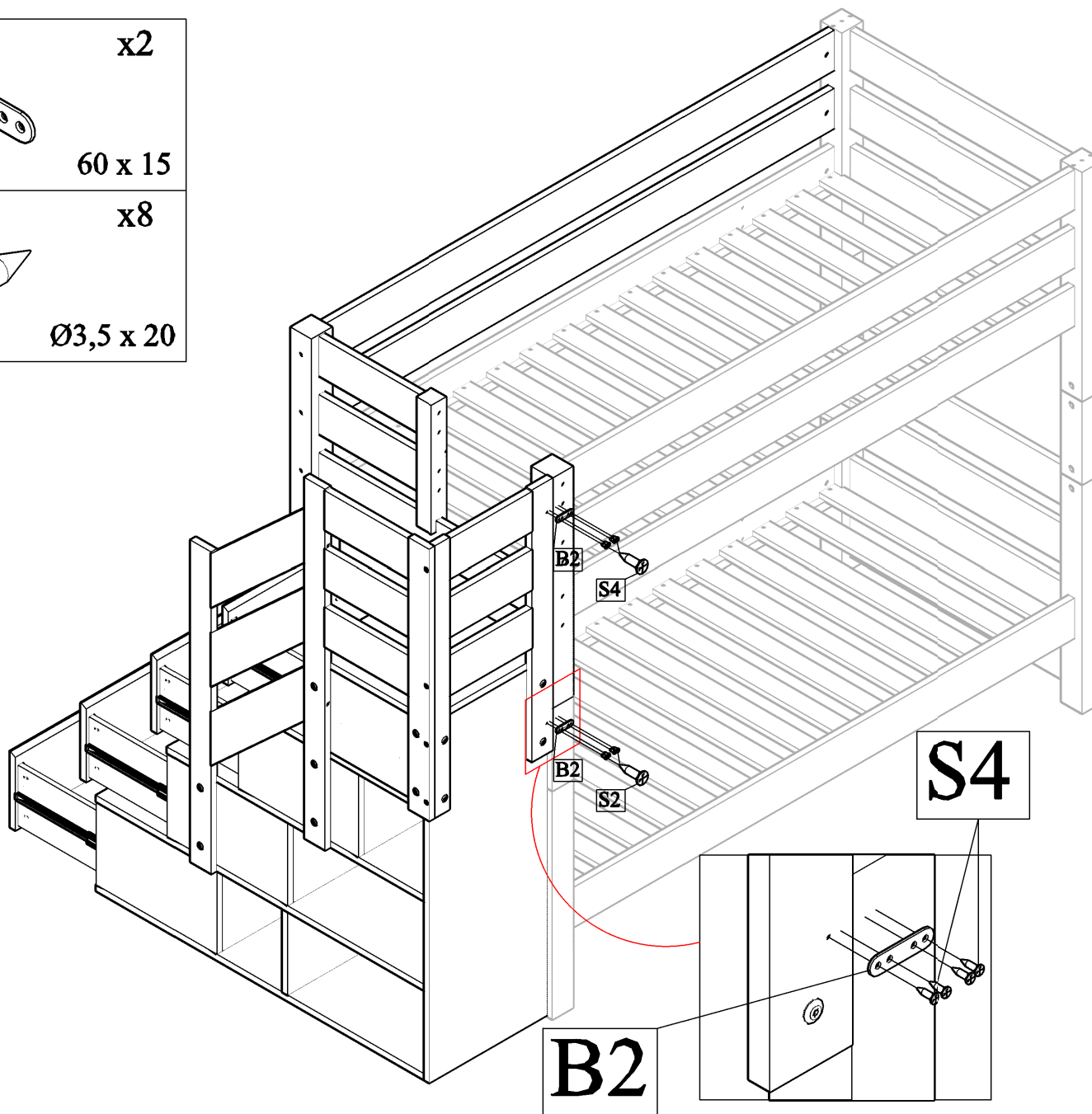
S4

x8



Ø3,5 x 20

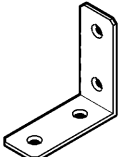
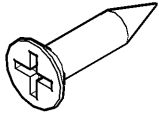
40/44

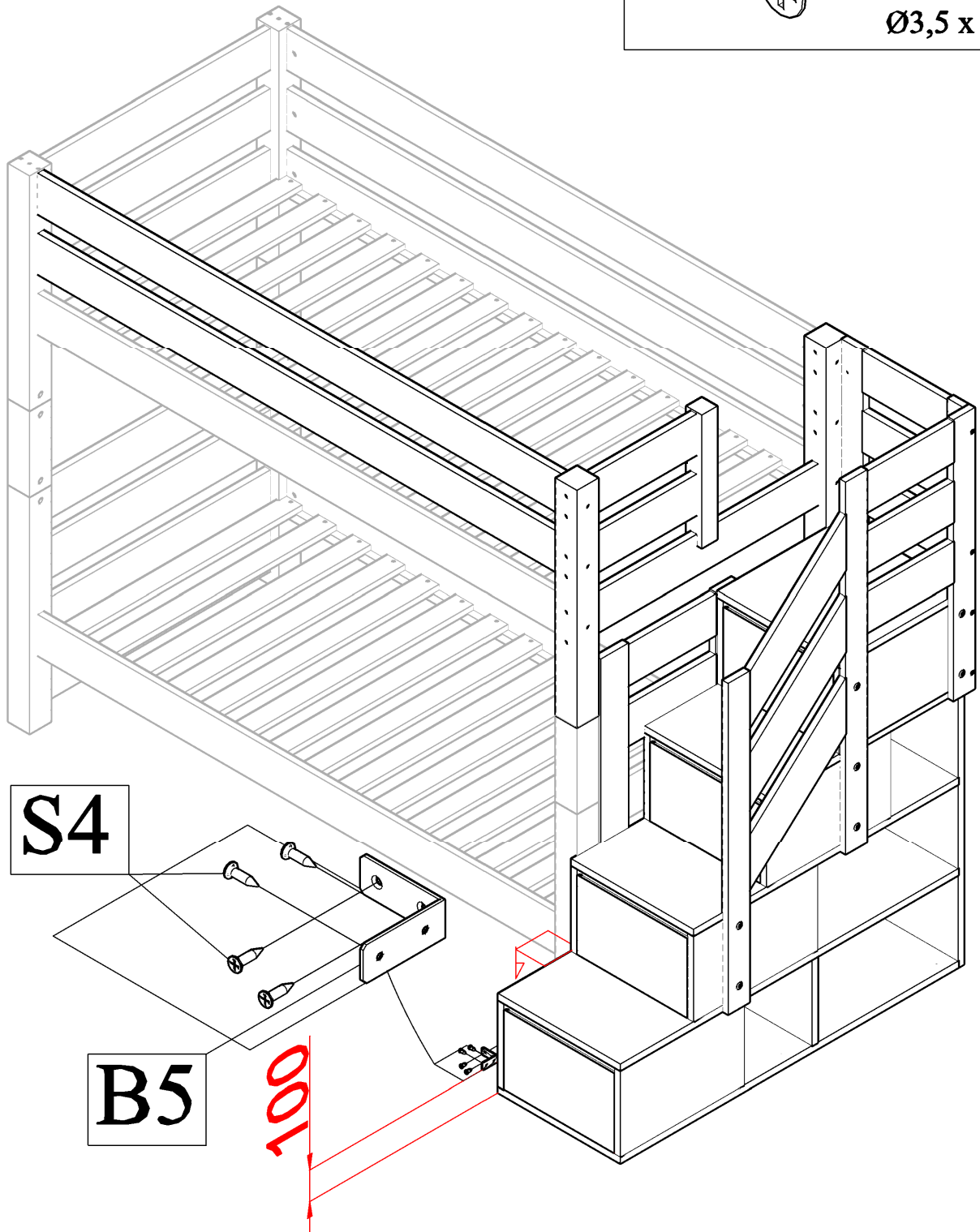


S4

B2

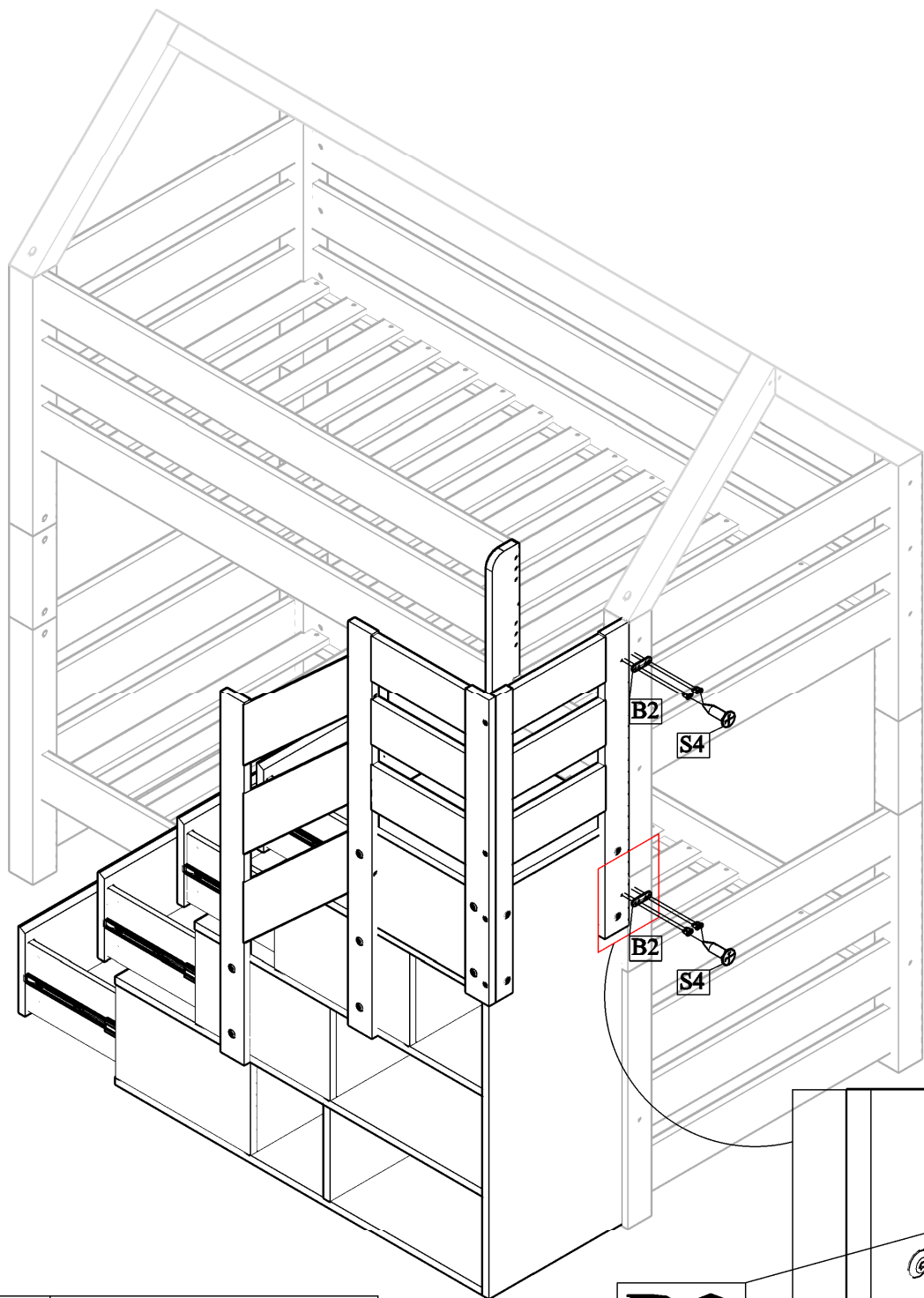
52

<b>B5</b>		x1
		50 x 50 x 20
<b>S4</b>		x4
		Ø3,5 x 20



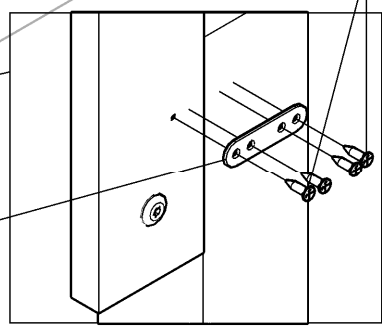


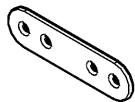
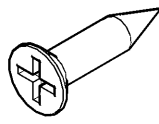
51a



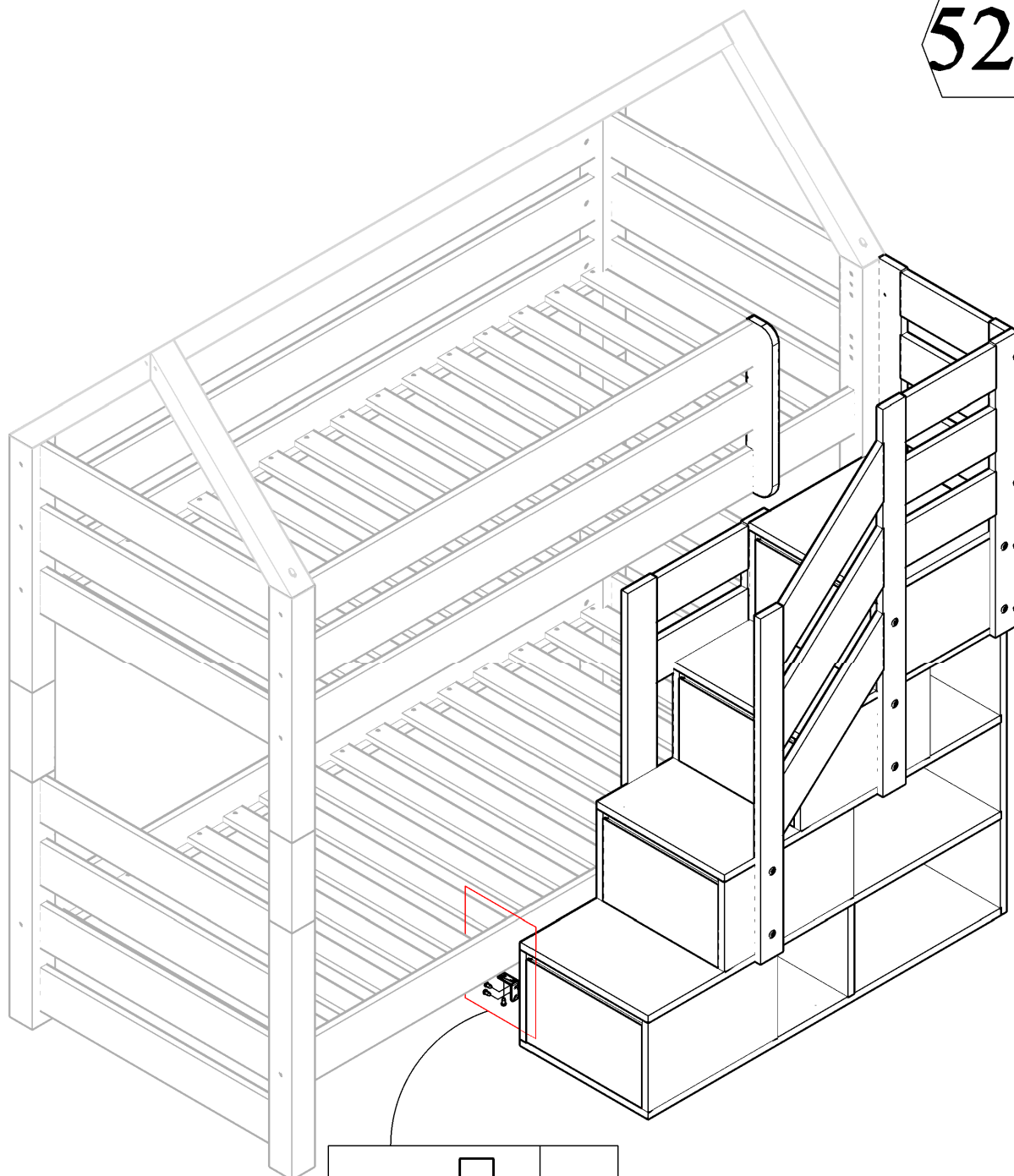
S4

B2



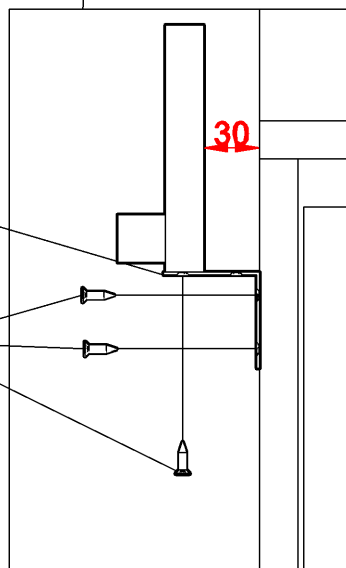
<b>B2</b>		x2
		60 x 15
<b>S4</b>		x8
		Ø3,5 x 20

52a



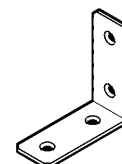
B5

S4



B5

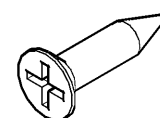
x1



50 x 50 x 20

S4

x3



Ø3,5 x 20

